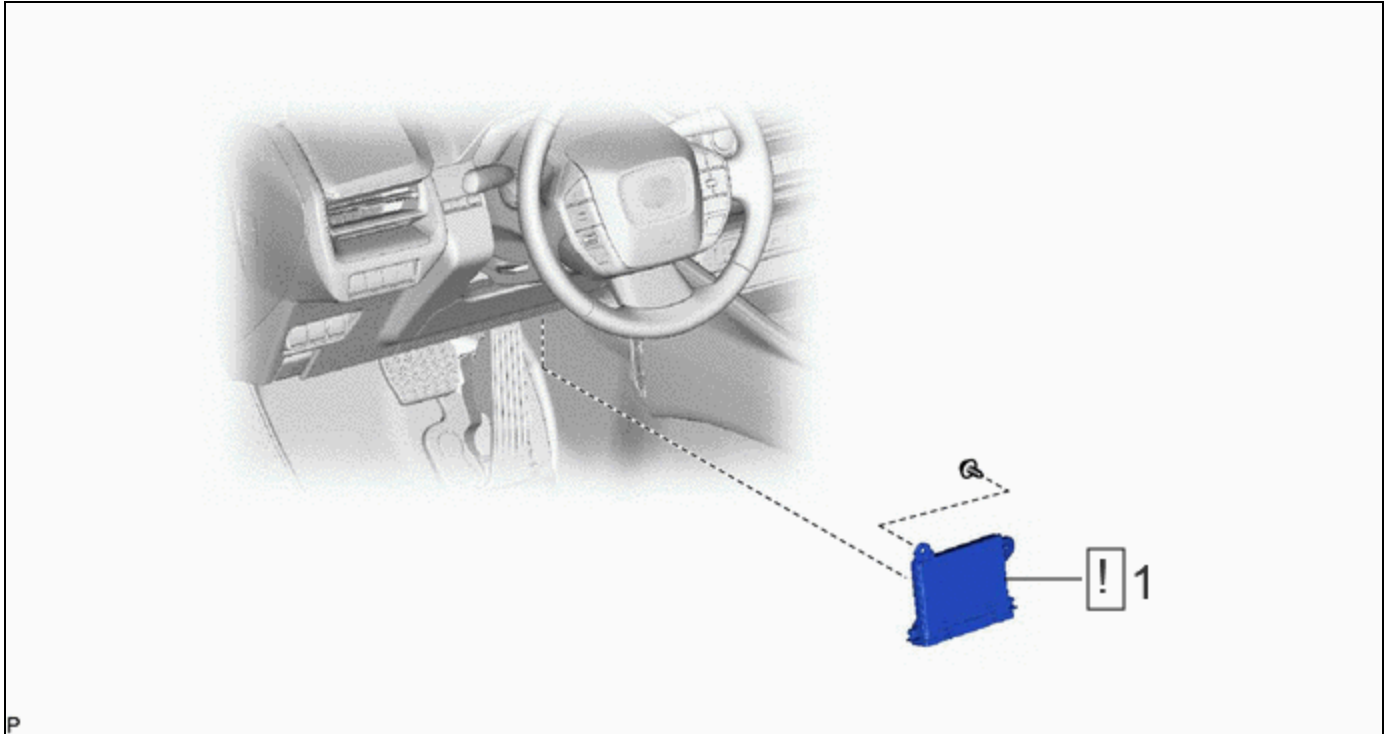


Last Modified: 12-04-2024	6.11:8.1.0	Doc ID: RM100000002AXEX
Model Year Start: 2023	Model: Prius Prime	Prod Date Range: [03/2023 -]
Title: HEATING / AIR CONDITIONING: AIR CONDITIONING AMPLIFIER: INSTALLATION; 2023 - 2024 MY Prius Prius Prime [03/2023 -]		

INSTALLATION

CAUTION / NOTICE / HINT

COMPONENTS (INSTALLATION)

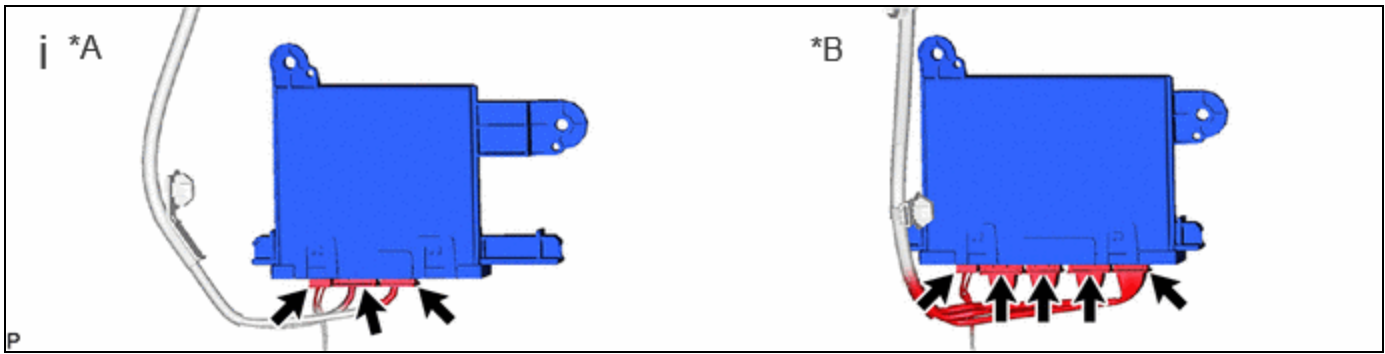


PROCEDURE		PART NAME CODE			
1	AIR CONDITIONING AMPLIFIER ASSEMBLY	88650N	INFO	-	-

PROCEDURE

1. INSTALL AIR CONDITIONING AMPLIFIER ASSEMBLY

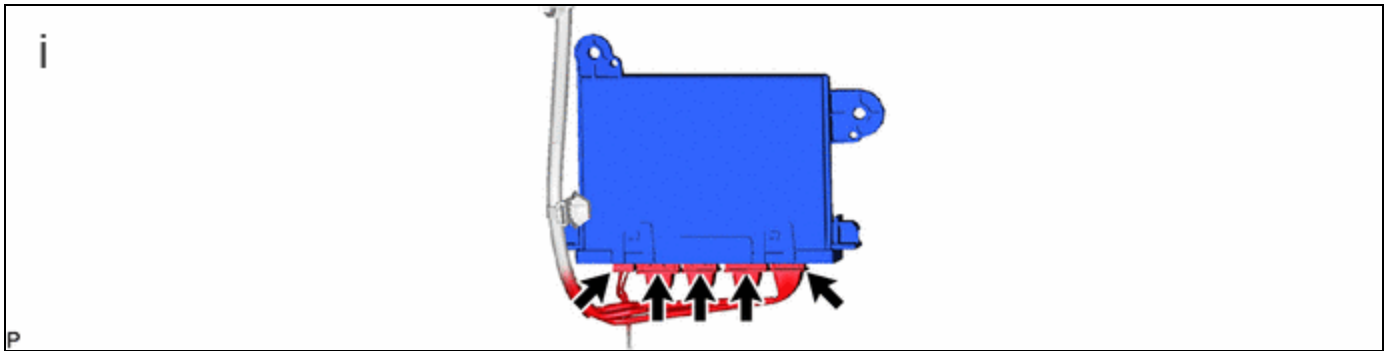
(a) for HEV Model:



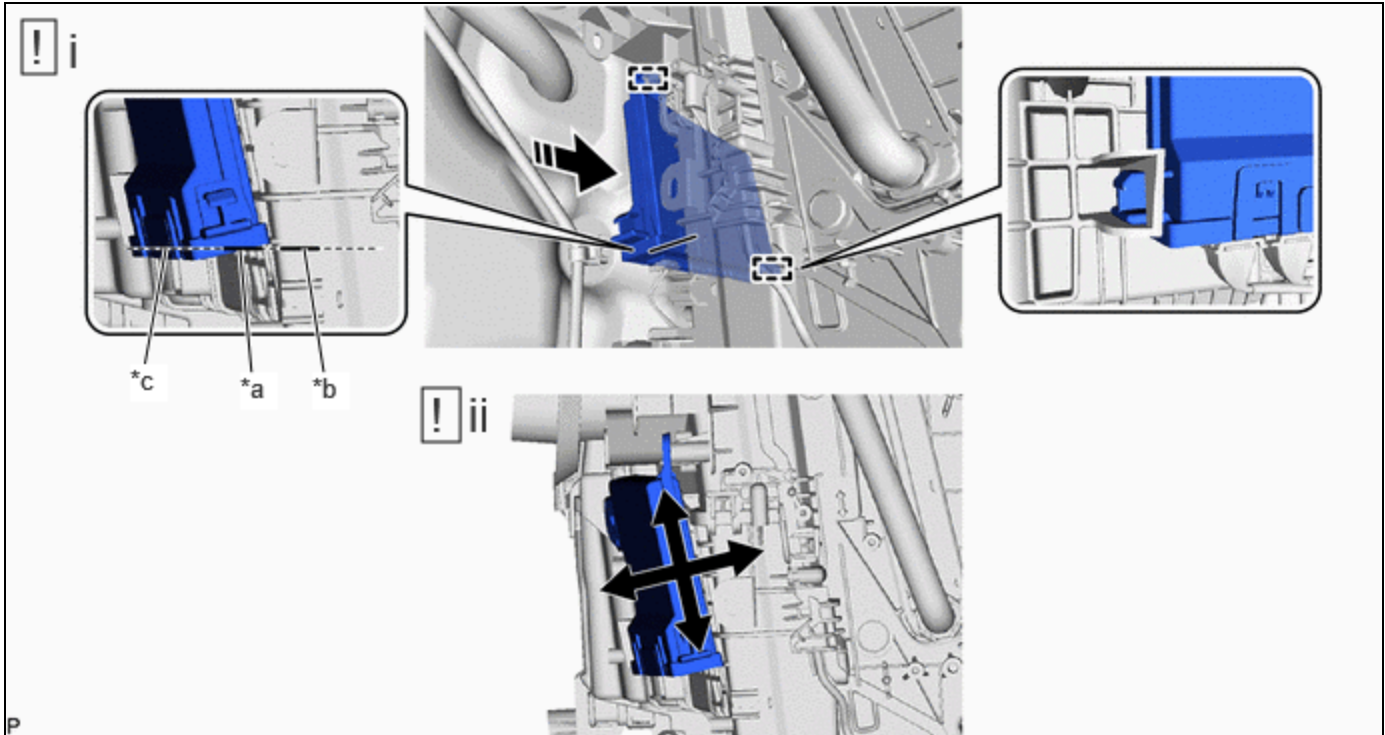
*A	w/o Seat Heater System	*B	w/ Seat Heater System
----	------------------------	----	-----------------------

(1) Connect each connector.


(b) for PHEV Model:



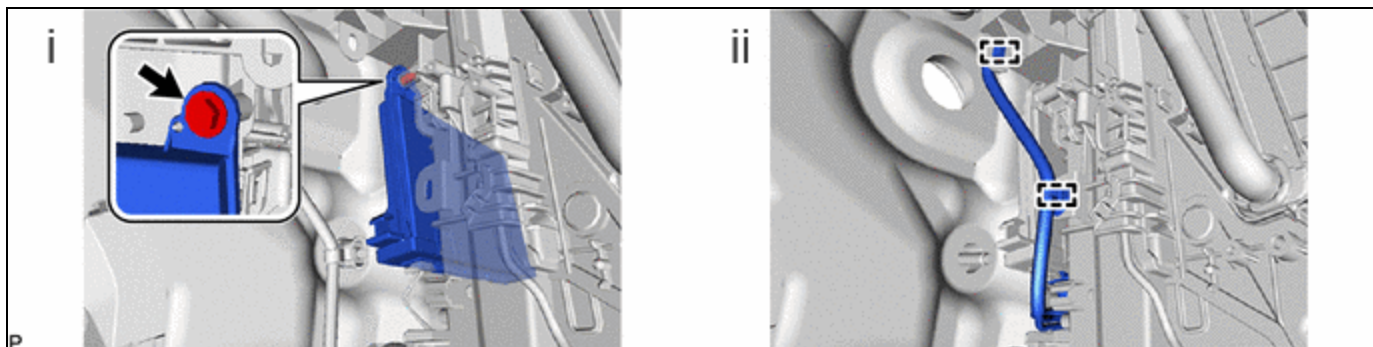
(1) Connect each connector.



*a	Lower Part of Air Conditioning Amplifier Assembly	*b	Rib of Air Conditioner Unit Assembly
*c	Align	-	-

	Install in this Direction	-	-
---	---------------------------	---	---

- (1) Align the lower part of the air conditioning amplifier assembly with the rib of the air conditioner unit assembly and engage the 2 guides as shown in the illustration.
- (2) Move the air conditioning amplifier assembly in each direction shown in the illustration to check that the guide is securely engaged.



- (1) Install the air conditioning amplifier assembly with the screw.
- (2) Engage the 2 clamps.

