

Last Modified: 12-04-2024	6.11:8.1.0	Doc ID: RM100000002910F
Model Year Start: 2023	Model: Prius	Prod Date Range: [12/2022 -]
Title: HEATING / AIR CONDITIONING: AIR CONDITIONING SYSTEM (for HEV Model): B140587; Lost Communication with Front Air Mix Damper Control Servo Motor LIN Missing Message; 2023 - 2024 MY Prius [12/2022 -]		

DTC	B140587	Lost Communication with Front Air Mix Damper Control Servo Motor LIN Missing Message
------------	----------------	---

DESCRIPTION

The air conditioning harness assembly connects the air conditioning amplifier assembly and No. 1 air conditioning radiator damper servo sub-assembly.

The No. 1 air conditioning radiator damper servo sub-assembly sends damper position information to the air conditioning amplifier assembly.

DTC NO.	DETECTION ITEM	DTC DETECTION CONDITION	TROUBLE AREA	MEMORY	DTC OUTPUT FROM	PRIORITY
B140587	Lost Communication with Front Air Mix Damper Control Servo Motor LIN Missing Message	Diagnosis Condition: Ignition switch ON Malfunction: Error or open in communication line between air conditioning amplifier assembly and No. 1 air conditioning radiator damper servo sub-assembly Detection Time: Continuously for 10 seconds or more	No. 1 air conditioning radiator damper servo sub-assembly	Memorized	Air Conditioner	B

DTC Detection Condition Combination Table

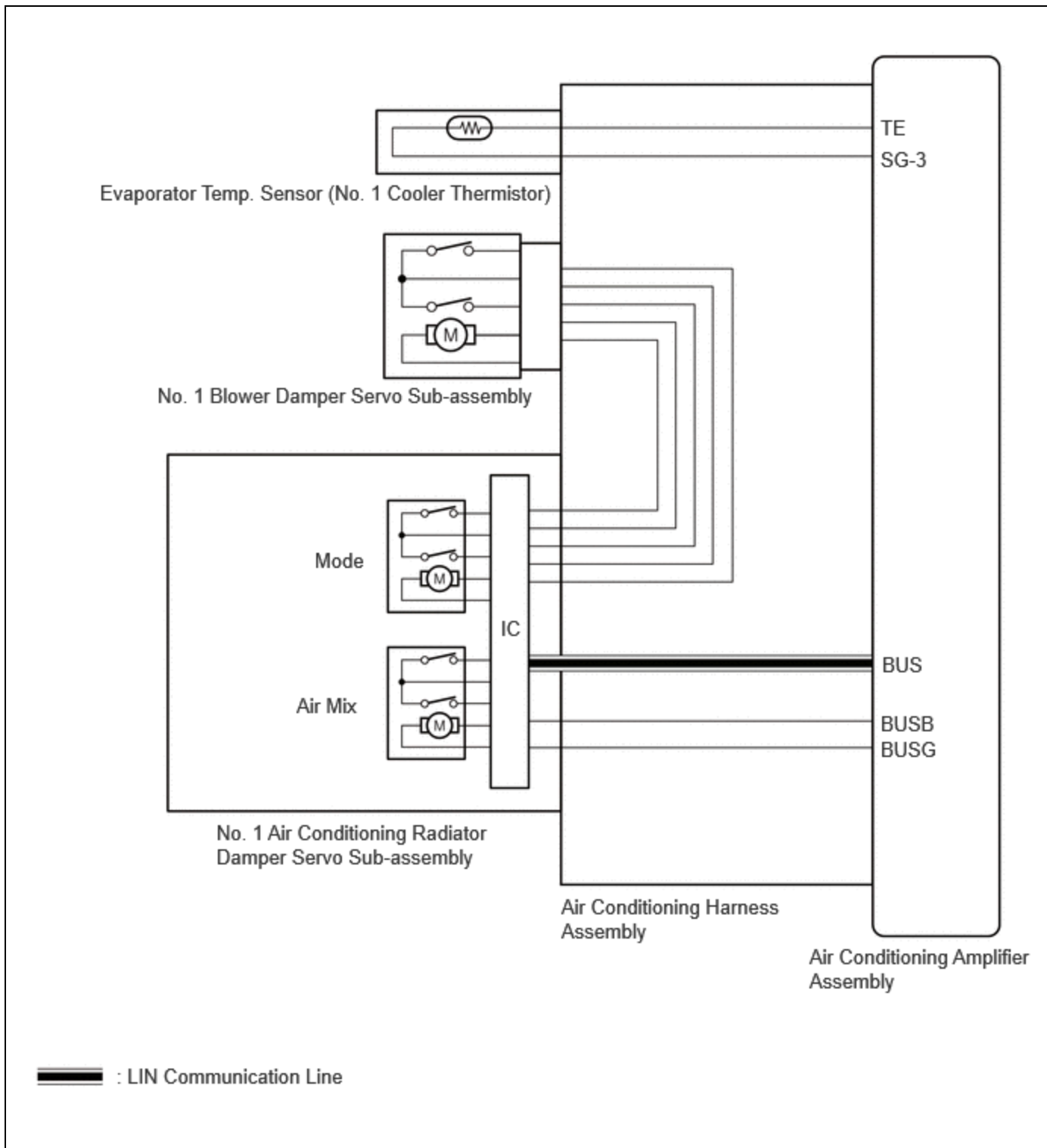
		VEHICLE CONDITION	
		PATTERN 1	PATTERN 2
Diagnosis Condition	Ignition switch ON	○	○
Malfunction	Error in communication line between air conditioning amplifier assembly and No. 1 air conditioning radiator damper servo sub-assembly	○	-

	VEHICLE CONDITION	
	PATTERN 1	PATTERN 2
Open in communication line between air conditioning amplifier assembly and No. 1 air conditioning radiator damper servo sub-assembly	-	○
Detection Time	Continuously for 10 seconds or more	Continuously for 10 seconds or more
Trip Count	1 trip	1 trip

HINT:

If the conditions of either of these patterns are detected, a DTC will be stored.

WIRING DIAGRAM



PROCEDURE

1.	CHECK FOR DTC
-----------	----------------------

(a) Check for DTCs.

Body Electrical > Air Conditioner > Trouble Codes

RESULT	PROCEED TO
B142A88 is output	A
B142A88 is not output	B

A ► [GO TO DTC B142A88](#)

B ► **REPLACE NO. 1 AIR CONDITIONING RADIATOR
DAMPER SERVO SUB-ASSEMBLY**

Click here [INFO](#)

