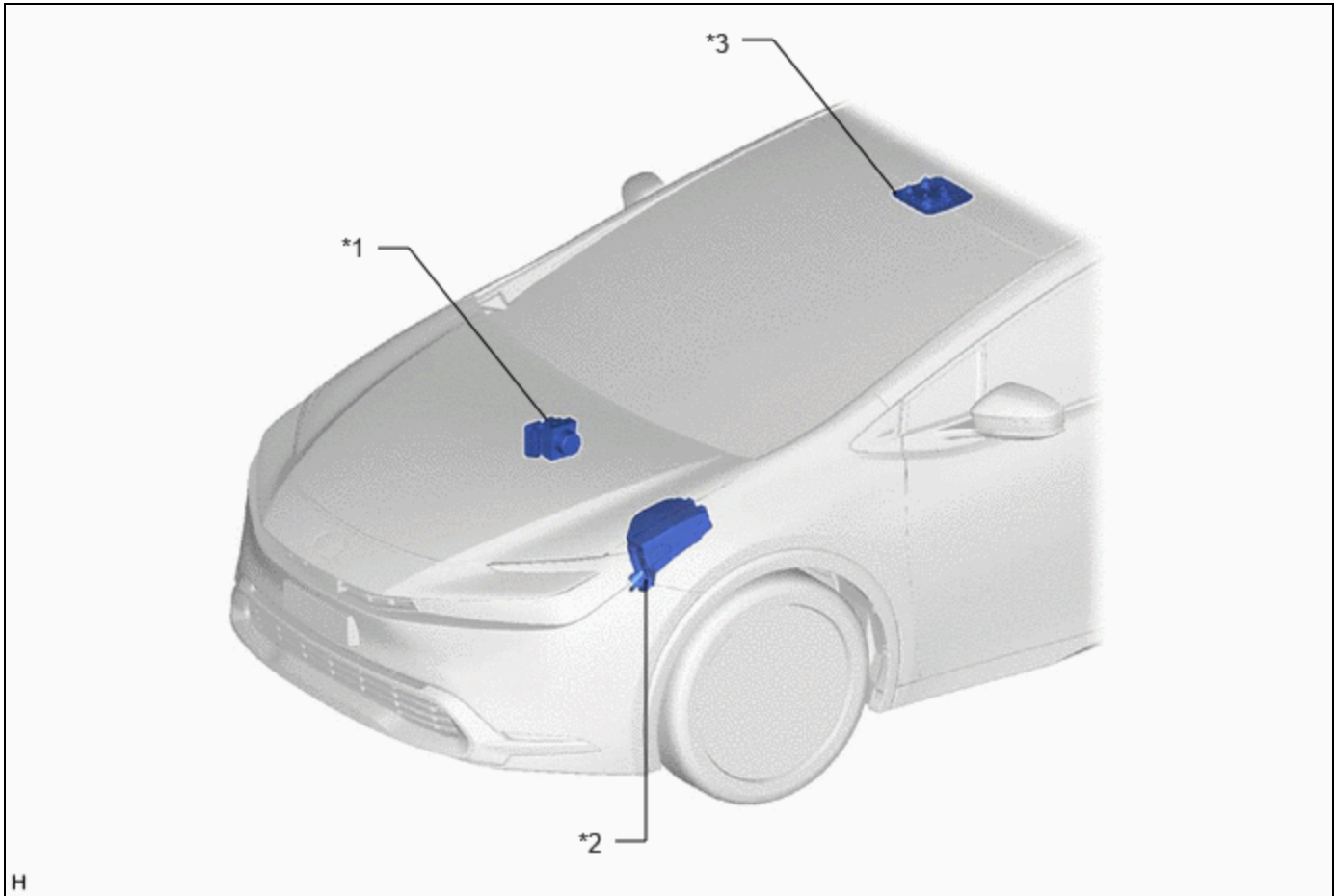


<b>Last Modified:</b> 12-04-2024	6.11:8.1.0	<b>Doc ID:</b> RM10000002909C
<b>Model Year Start:</b> 2023	<b>Model:</b> Prius Prime	<b>Prod Date Range:</b> [12/2022 - ]
<b>Title:</b> THEFT DETERRENT / KEYLESS ENTRY: SMART KEY SYSTEM (for Start Function): PARTS LOCATION; 2023 - 2024 MY Prius Prius Prime [12/2022 - ]		

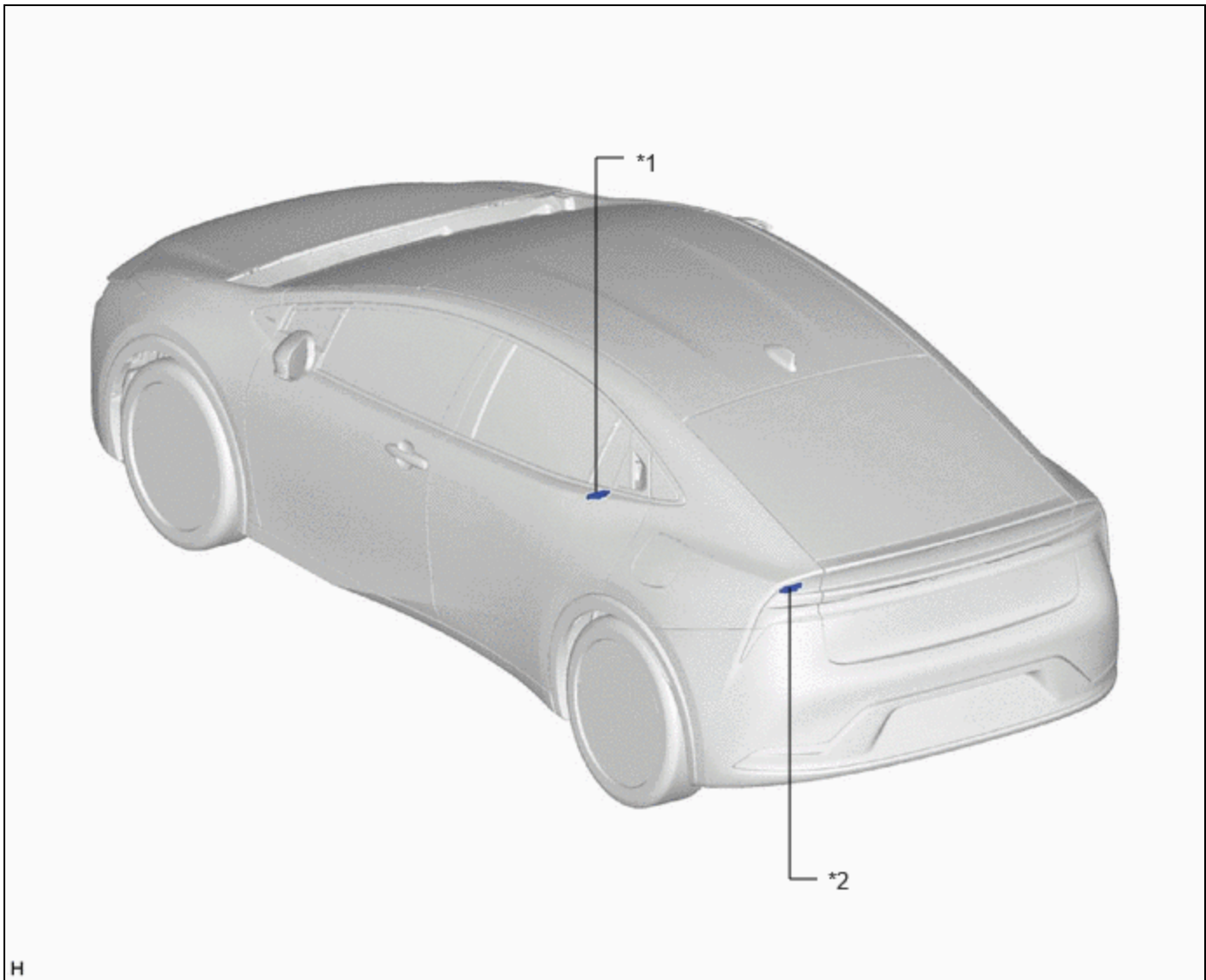
## PARTS LOCATION

### ILLUSTRATION



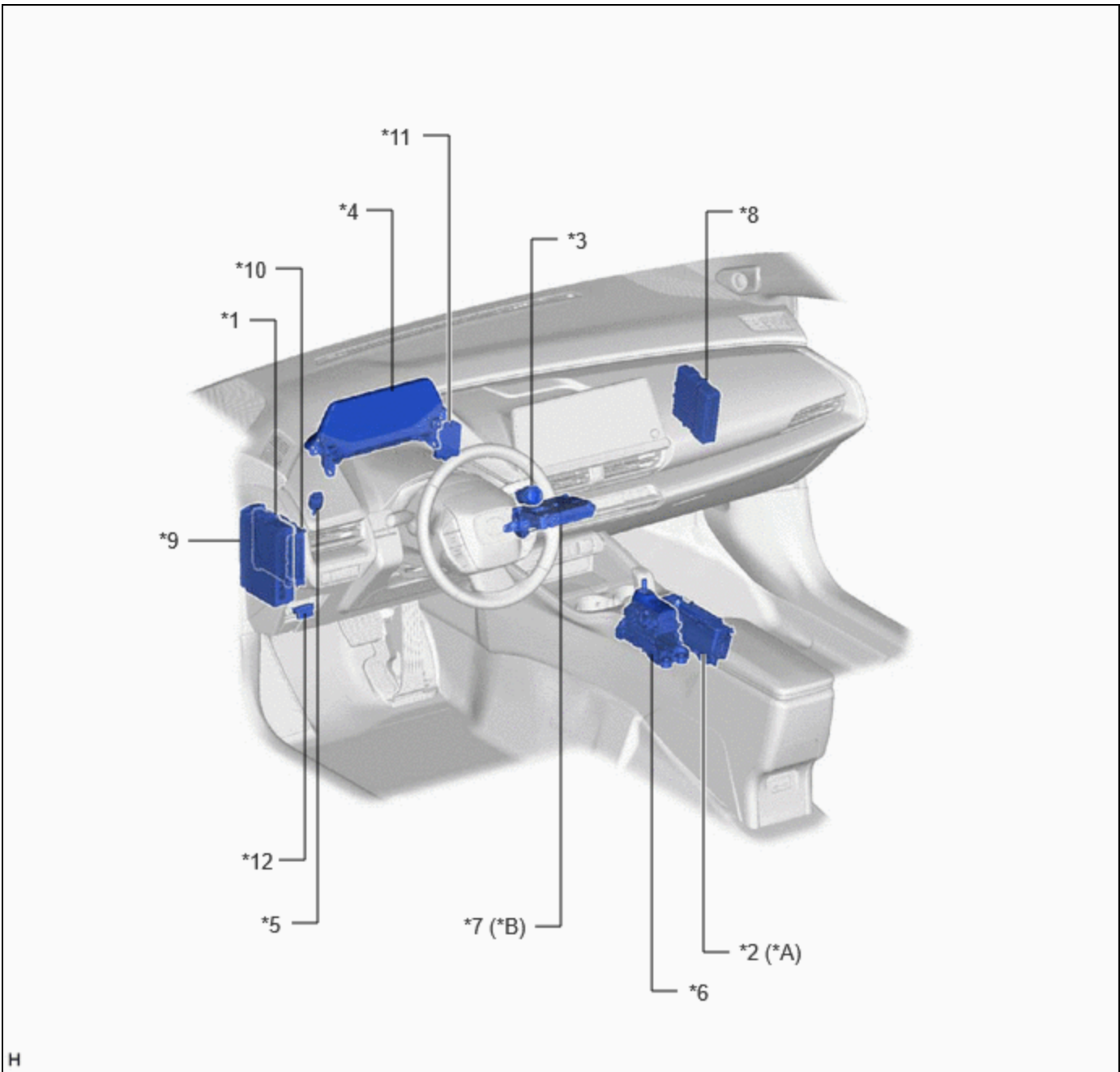
*1	BRAKE ACTUATOR ASSEMBLY - NO. 2 SKID CONTROL ECU	*2	NO. 1 ENGINE ROOM RELAY BLOCK AND NO. 1 JUNCTION BLOCK ASSEMBLY - IGP RELAY
*3	MAP LIGHT ASSEMBLY - SECURITY INDICATOR LIGHT	-	-

### ILLUSTRATION



*1	NO. 1 INDOOR ELECTRICAL KEY ANTENNA ASSEMBLY (FRONT FLOOR)	*2	NO. 2 INDOOR ELECTRICAL KEY ANTENNA ASSEMBLY (REAR FLOOR)
----	--	----	---

## ILLUSTRATION



H

*A	w/ Wireless Charging System	*B	for Remote Connect Compatible Type
*1	MAIN BODY ECU (MULTIPLEX NETWORK BODY ECU)	*2	MOBILE WIRELESS CHARGER CRADLE ASSEMBLY
*3	POWER SWITCH	*4	COMBINATION METER ASSEMBLY
*5	STOP LIGHT SWITCH ASSEMBLY	*6	TRANSMISSION FLOOR SHIFT ASSEMBLY
*7	DCM (TELEMATICS TRANSCEIVER)	*8	HYBRID VEHICLE CONTROL ECU
*9	POWER DISTRIBUTION BOX ASSEMBLY - ACC RELAY - IGR NO. 1 RELAY - IGR NO. 2 RELAY - AM2 FUSE - STOP FUSE	*10	CERTIFICATION ECU (SMART KEY ECU ASSEMBLY)

	- ECU-ACC FUSE - ECU-IGR NO. 1 FUSE - ECU-IGR NO. 2 FUSE - +BA RELAY - +BA NO. 1 FUSE - +BA NO. 2 FUSE		
*11	ID CODE BOX (IMMOBILISER CODE ECU)	*12	DLC3

