

Last Modified: 12-04-2024	6.11:8.1.0	Doc ID: RM1000000290BU
Model Year Start: 2023	Model: Prius Prime	Prod Date Range: [12/2022 -]
Title: THEFT DETERRENT / KEYLESS ENTRY: DIGITAL KEY SYSTEM: OPERATION CHECK; 2023 - 2024 MY Prius Prius Prime [12/2022 -]		

OPERATION CHECK

CHECK CUSTOMIZE PARAMETERS

(a) The operation check below is based on the non-customized initial condition of the vehicle.

Digital Key System: Click here [INFO](#)

Wireless Door Lock Control System: Click here [INFO](#)

Smart Key System (for Entry Function): Click here [INFO](#)

Smart Key System (for Start Function): Click here [INFO](#)

CHECK WIRELESS FUNCTION

NOTICE:

- The wireless operation range may differ depending on the type of digital key device.
- Refer to Precautions for Inspection or Registration regarding the digital key and surrounding environment.

Click here [INFO](#)

HINT:

The following functions can be customized using the wireless door lock control system settings, and operate in the same way as the wireless door lock control system.

Click here [INFO](#)

- Automatic locking function
- Answer-back function
- Door ajar warning buzzer function
- Wireless Unlock 2 Operation Function, etc.

(a) Approach the vehicle and check that the establishment of a BLE connection is indicated on the digital key.

(b) When a BLE connection is established, check that all doors unlock when the unlock switch is pressed.

(c) When a BLE connection is established, check that all doors lock when the lock switch is pressed.

(d) When a BLE connection is established and the back door is unlocked, check that the back door opens when the back door open switch is pressed.

CHECK ENTRY FUNCTION

NOTICE:

- Regarding the digital key detection range for the entry function, refer to Precautions for Outside Vehicle Digital Key Detection Range/Diagnostic Range.

Click here [INFO](#)

- Refer to Precautions for Inspection or Registration regarding the digital key and surrounding environment.

Click here [INFO](#)

HINT:

The following functions can be customized using the smart key system settings, and operate in the same way as the smart key system.

- Automatic locking function

- Answer-back function, etc.

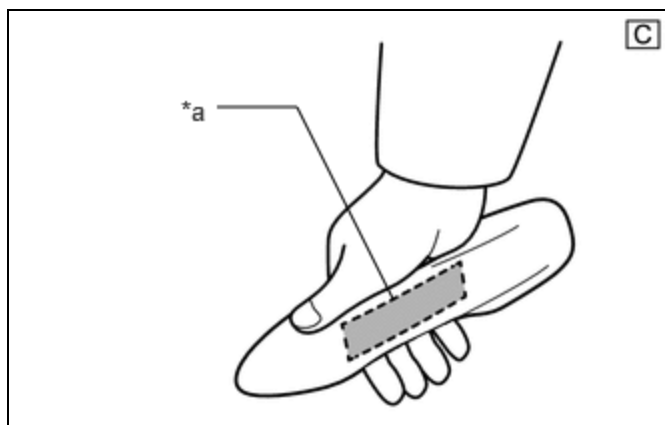
(a) Check the entry unlock function (driver door, front passenger door).

(1) Lock all doors using the wireless function.

(2) With the digital key in your hand, hold your hand inside the digital key detection range and touch the unlock sensor built into the reverse side of the front door outside handle. Check that all doors unlock.

HINT:

Inspect the front passenger door using the same procedure.



*a	Unlock Sensor (Backside)
----	--------------------------

The illustrations shown are examples only.

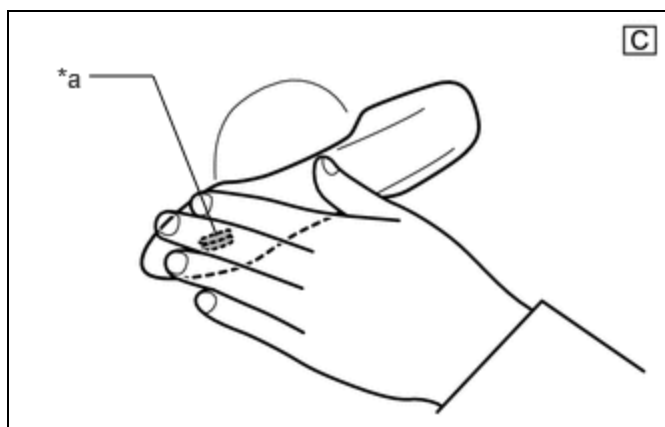
(b) Check the entry lock function (driver door, front passenger door).

(1) Unlock all doors using the wireless function.

(2) With the digital key in your hand, hold your hand inside the digital key detection range and touch the lock sensor on the surface of the front door outside handle. Check that all doors lock.

HINT:

Inspect the front passenger door using the same procedure.

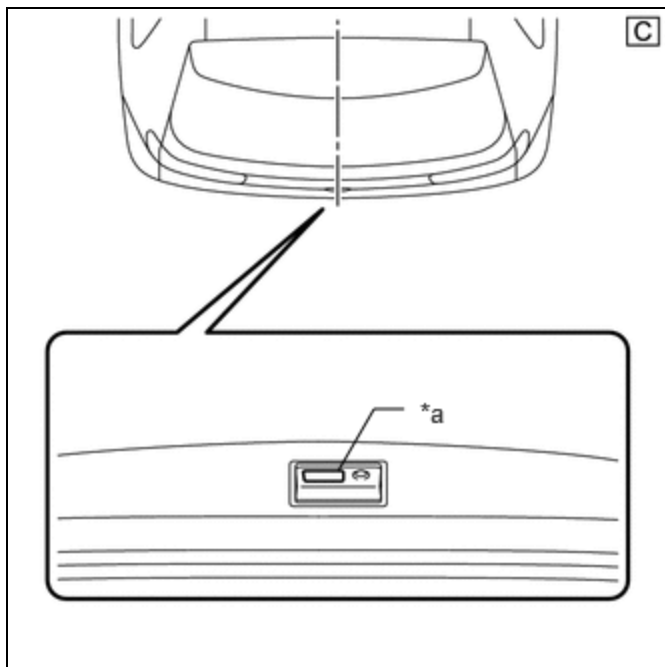


*a	Lock Sensor
----	-------------

The illustrations shown are examples only.

(c) Check the entry back door open function.

(1) With the back door closed and locked, hold the digital key in your hand and hold your hand inside the digital key detection range. Then operate the open switch.



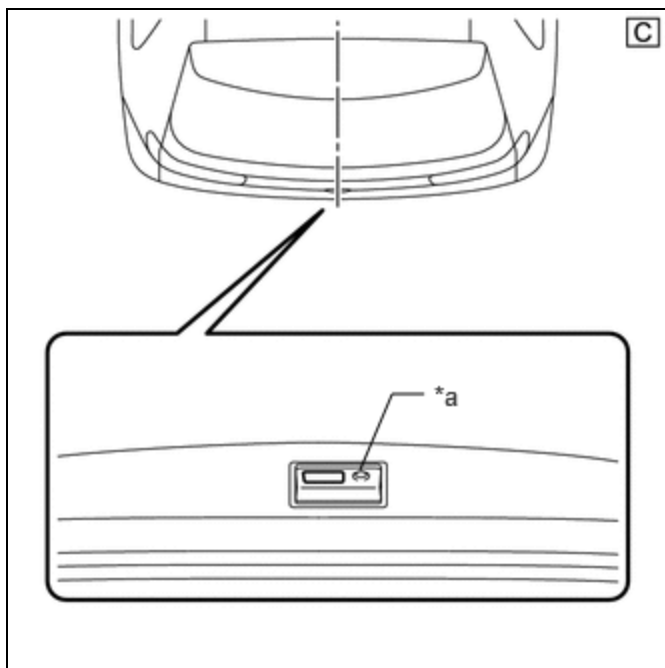
*a

Back Door Opener Switch Assembly (Open Switch)

The illustrations shown are examples only.

(d) Check the entry back door lock function.

- (1) With the back door closed and unlocked, hold the digital key in your hand and hold your hand inside the digital key detection range. Then operate the lock switch.



*a

Back Door Opener Switch Assembly (Lock Switch)

The illustrations shown are examples only.

CHECK POWER SOURCE MODE CHANGING FUNCTION

NOTICE:

- Regarding the interior operating range, refer to Precautions for In-vehicle Operating Range.

[Click here](#) INFO

- Refer to Precautions for Inspection or Registration regarding the digital key and surrounding environment.

[Click here](#) INFO

- (a) Unlock the doors by using the digital key.
- (b) Place the digital key on the center console near the vehicle interior BLE digital key receiver.
- (c) When all of the following conditions are met, push the power switch and check that the hybrid control system starts.
 - Ignition switch off*
 - The shift state is P*
 - The brake pedal is depressed*

HINT:

*: When the power switch is pushed when the conditions are not met, the power source mode will change the same as for the power source mode changing function of the smart key system.

[Click here](#) INFO

DIGITAL KEY DIAGNOSTIC MODE (Using GTS)

NOTICE:

- With only one digital key connected to BLE, perform inspection in digital key diagnostic mode.
- Regarding the digital key detection area outside the vehicle cabin, refer to Precautions for Outside Vehicle Digital Key Detection Range/Diagnostic Range.

[Click here](#) INFO

- Regarding the interior operating range, refer to Precautions for In-vehicle Operating Range.

[Click here](#) INFO

- Refer to Precautions for Inspection or Registration regarding the digital key and surrounding environment.

[Click here](#) INFO

HINT:

Whether the digital key operates correctly within the detection area can be confirmed when the wireless buzzer sounds with the system in digital key diagnostic mode.

- (a) Enter the following menus: Body Electrical / Smart Key / Utility / Communication Check(Digital Key Diag Mode).

Body Electrical > Smart Key > Utility

TESTER DISPLAY
Communication Check (Digital Key Diag Mode)

- (b) Inspect the appropriate item according to the following table.

TESTER DISPLAY	INSPECTION ITEM
Digital key engine/power start area [*1]	BLE indoor digital key receiver assembly
Digital key driver door outside area [*2]	BLE door digital key receiver assembly (for driver door)
Digital key passenger door outside area [*3]	BLE door digital key receiver assembly (for front passenger door)
Digital key back door/trunk lid outside area [*4]	BLE luggage digital key receiver assembly

(c) Bring the digital key near the selected BLE digital key receiver and check that the wireless buzzer sounds.

(1) [*1]: BLE indoor digital key receiver assembly

HINT:

Place the digital key on the center console near the vehicle interior BLE digital key receiver.

(2) [*2]: BLE door digital key receiver assembly (for driver door)

HINT:

Hold the digital key in your hand and hold your hand inside the driver door digital key detection range.

(3) [*3]: BLE door digital key receiver assembly (for front passenger door)

HINT:

Hold the digital key in your hand and hold your hand inside the front passenger door digital key detection range.

(4) [*4]: BLE luggage digital key receiver assembly

HINT:

Hold the digital key in your hand and hold your hand inside the back door digital key detection range.

