

<b>Last Modified:</b> 12-04-2024	6.11:8.1.0	<b>Doc ID:</b> RM1000000290BZ
<b>Model Year Start:</b> 2023	<b>Model:</b> Prius Prime	<b>Prod Date Range:</b> [12/2022 - ]
<b>Title:</b> THEFT DETERRENT / KEYLESS ENTRY: DIGITAL KEY SYSTEM: B27C057; Digital Key System Invalid/Incompatible Software Component; 2023 - 2024 MY Prius Prius Prime [12/2022 - ]		

<b>DTC</b>	<b>B27C057</b>	<b>Digital Key System Invalid/Incompatible Software Component</b>
------------	----------------	---

## DESCRIPTION

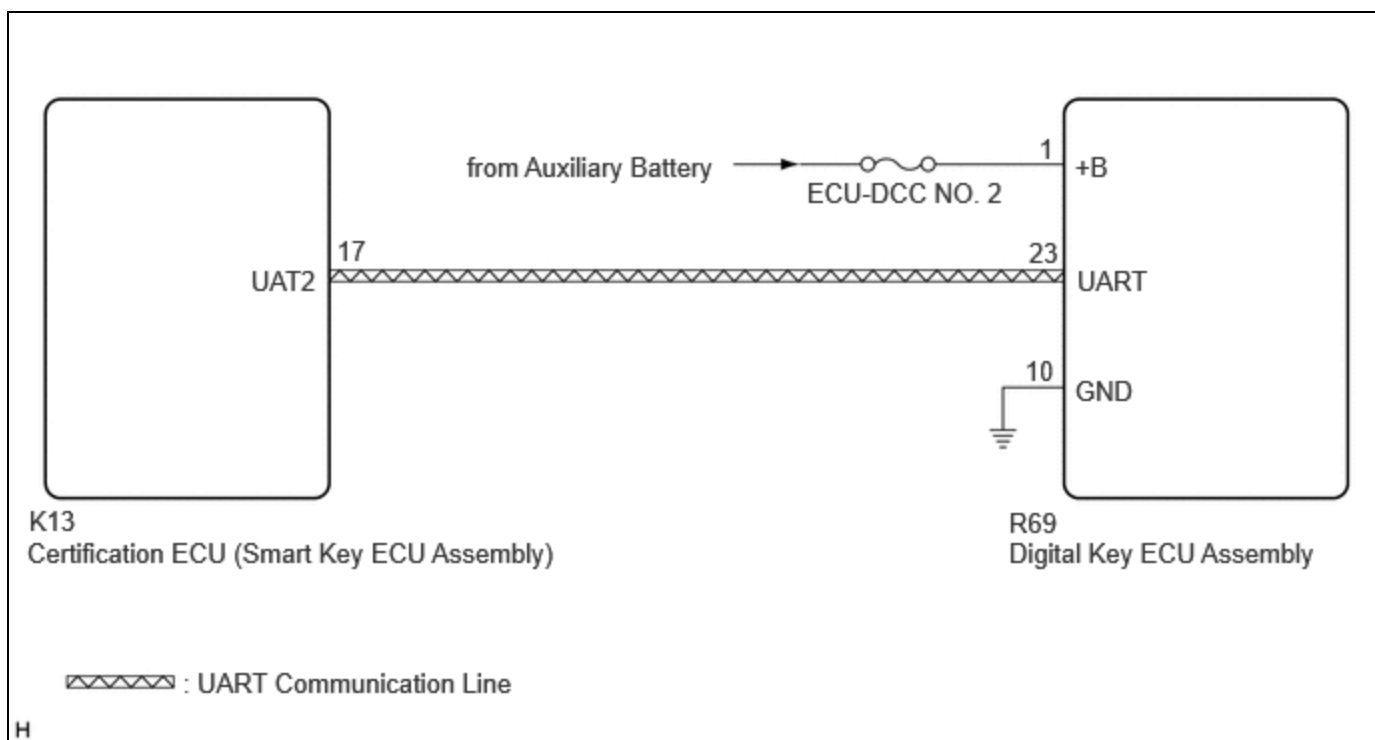
This DTC is output when 1 or more electrical key transmitter sub-assemblies are registered and MAC data mismatch was detected 10 times in succession from the digital key computer assembly.

DTC NO.	DETECTION ITEM	DTC DETECTION CONDITION	TROUBLE AREA	DTC OUTPUT FROM	PRIORITY	NOTE
B27C057	Digital Key System Invalid/Incompatible Software Component	1 or more electrical key transmitter sub-assemblies are registered and MAC data mismatch was detected 10 times in succession from the digital key ECU assembly	<ul style="list-style-type: none"> <li>• Certification ECU (smart key ECU assembly)</li> <li>• Digital key ECU assembly</li> <li>• Wire harness or connector</li> </ul>	Smart Key	A	<b>DTC Output Confirmation Operation:</b>  Any time

### Vehicle Condition and Fail-safe Operation when Malfunction Detected

VEHICLE CONDITION WHEN MALFUNCTION DETECTED	FAIL-SAFE OPERATION WHEN MALFUNCTION DETECTED
Digital key system does not operate	-

## WIRING DIAGRAM



## CAUTION / NOTICE / HINT

### NOTICE:

- Before replacing certification ECU (smart key ECU assembly) or digital key ECU assembly, refer to Registration.

Click here [INFO](#)

- Inspect the fuses for circuits related to this system before performing the following procedure.

## PROCEDURE

### 1. CHECK HARNESS AND CONNECTOR (CERTIFICATION ECU (SMART KEY ECU ASSEMBLY) - DIGITAL KEY ECU ASSEMBLY)

Pre-procedure1

- Disconnect the K13 certification ECU (smart key ECU assembly) connector.
- Disconnect the R69 digital key ECU assembly connector.

Procedure1

- Measure the resistance according to the value(s) in the table below.

Standard Resistance:



[Click Location & Routing\(K13,R69\).](#)

[Click Connector\(K13\).](#)

[Click Connector\(R69\).](#)

TESTER CONNECTION	CONDITION	SPECIFIED CONDITION	RESULT
K13-17 (UAT2) - R69-23 (UART)	Always	Below 1 Ω	Ω
K13-17 (UAT2) or R69-23 (UART) - Other terminals and body ground	Always	10 kΩ or higher	kΩ

Post-procedure1

(d) Connect the K13 certification ECU (smart key ECU assembly) connector.

**NG**  **REPAIR OR REPLACE HARNESS OR CONNECTOR**

**OK**



<b>2.</b>	<b>CLEAR DTC</b>
-----------	------------------

(a) Clear the DTCs.

**Body Electrical > Smart Key > Clear DTCs**

**NEXT**



<b>3.</b>	<b>CHECK DTC</b>
-----------	------------------

(a) Check for DTCs.

**Body Electrical > Smart Key > Trouble Codes**

RESULT	PROCEED TO
B27C057 is not output	A
B27C057 is output	B

**A**  **REPLACE DIGITAL KEY ECU ASSEMBLY**

Click here 

**B**  **REPLACE CERTIFICATION ECU (SMART KEY ECU ASSEMBLY)**

Click here 

