

Last Modified: 12-04-2024	6.11:8.1.0	Doc ID: RM10000002C02Q
Model Year Start: 2023	Model: Prius Prime	Prod Date Range: [03/2023 -]
Title: THEFT DETERRENT / KEYLESS ENTRY: DIGITAL KEY RECEIVER (for Outside Luggage Compartment): REMOVAL; 2023 - 2024 MY Prius Prius Prime [03/2023 -]		

REMOVAL

CAUTION / NOTICE / HINT

The necessary procedures (adjustment, calibration, initialization, or registration) that must be performed after parts are removed and installed, or replaced during ble luggage digital key receiver assembly removal/installation are shown below.

Necessary Procedure After Parts Removed/Installed/Replaced

REPLACED PART OR PERFORMED PROCEDURE	NECESSARY PROCEDURE	EFFECT/INOPERATIVE FUNCTION WHEN NECESSARY PROCEDURE NOT PERFORMED	LINK
BLE luggage digital key receiver assembly	Code registration	<ul style="list-style-type: none"> • Wireless Door Lock Control System • Smart Key System (for Entry function) • Smart Key System (for Start function) • Hybrid control system cannot be started • Digital Key System • Remote Control Function 	INFO

NOTICE:

After turning the ignition switch off, waiting time may be required before disconnecting the cable from the negative (-) auxiliary battery terminal.

Click here [INFO](#)

HINT:

When the cable is disconnected/reconnected to the auxiliary battery terminal, systems temporarily stop operating. However, each system has a function that completes learning the first time the system is used.

Items for which learning is completed by driving the vehicle

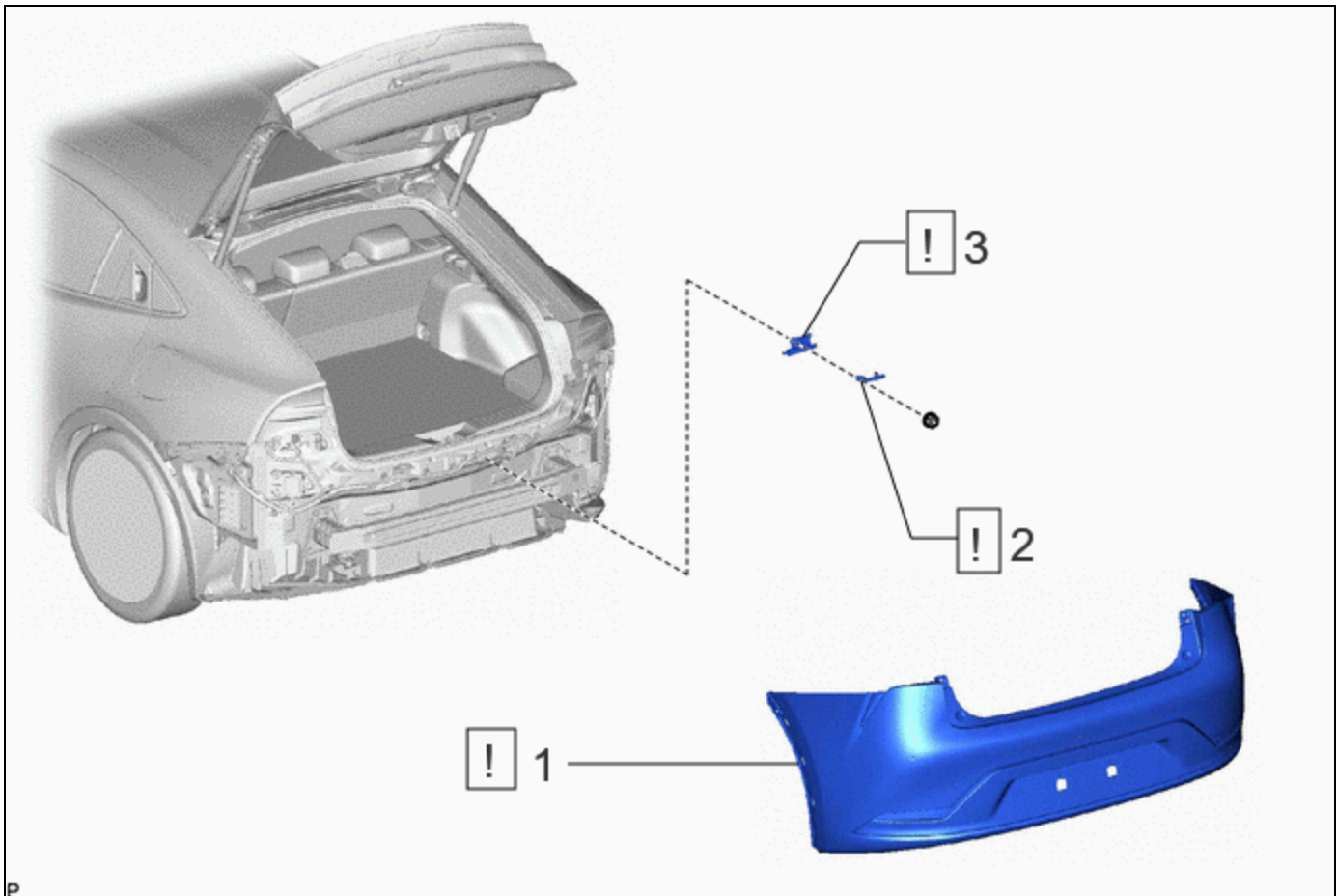
EFFECT/INOPERATIVE FUNCTION WHEN NECESSARY PROCEDURES ARE NOT PERFORMED	NECESSARY PROCEDURES	LINK
Front Camera System	Drive the vehicle straight ahead at 35 km/h (22 mph) or more for 5 second or more.	INFO




Items for which learning is completed by operating the vehicle normally

EFFECT/INOPERATIVE FUNCTION WHEN NECESSARY PROCEDURES ARE NOT PERFORMED	NECESSARY PROCEDURES	LINK
Power Door Lock Control System*1 ◦ Back door opener	Perform door unlock operation with door control switch or electrical key transmitter sub-assembly switch.	INFO
Power Back Door System*2	Reset back door close position	INFO
Air Conditioning System	for HEV Model: After the ignition switch is turned to ON, the servo motor standard position is recognized. for PHEV Model: After the ignition switch is turned to ON, the servo motor and expansion valve standard position is recognized.	-
*1: w/o Power Back Door System *2: w/ Power Back Door System		

CAUTION / NOTICE / HINT


COMPONENTS (REMOVAL)




	PROCEDURE	PART NAME CODE			
1	REAR BUMPER ASSEMBLY	-	INFO	-	-
2	ELECTRICAL KEY ANTENNA	89997	INFO	-	-
3	BLE LUGGAGE DIGITAL KEY RECEIVER ASSEMBLY	890F0	INFO	-	-

PROCEDURE

1. REMOVE REAR BUMPER ASSEMBLY

	Click here INFO
---	---------------------------------

2. REMOVE ELECTRICAL KEY ANTENNA

	Click here INFO
---	---------------------------------

3. REMOVE BLE LUGGAGE DIGITAL KEY RECEIVER ASSEMBLY

	<p>NOTICE:</p> <p>Be careful when removing the digital key receiver. If the digital key receiver is dropped, replace it with a new one.</p>
---	--

