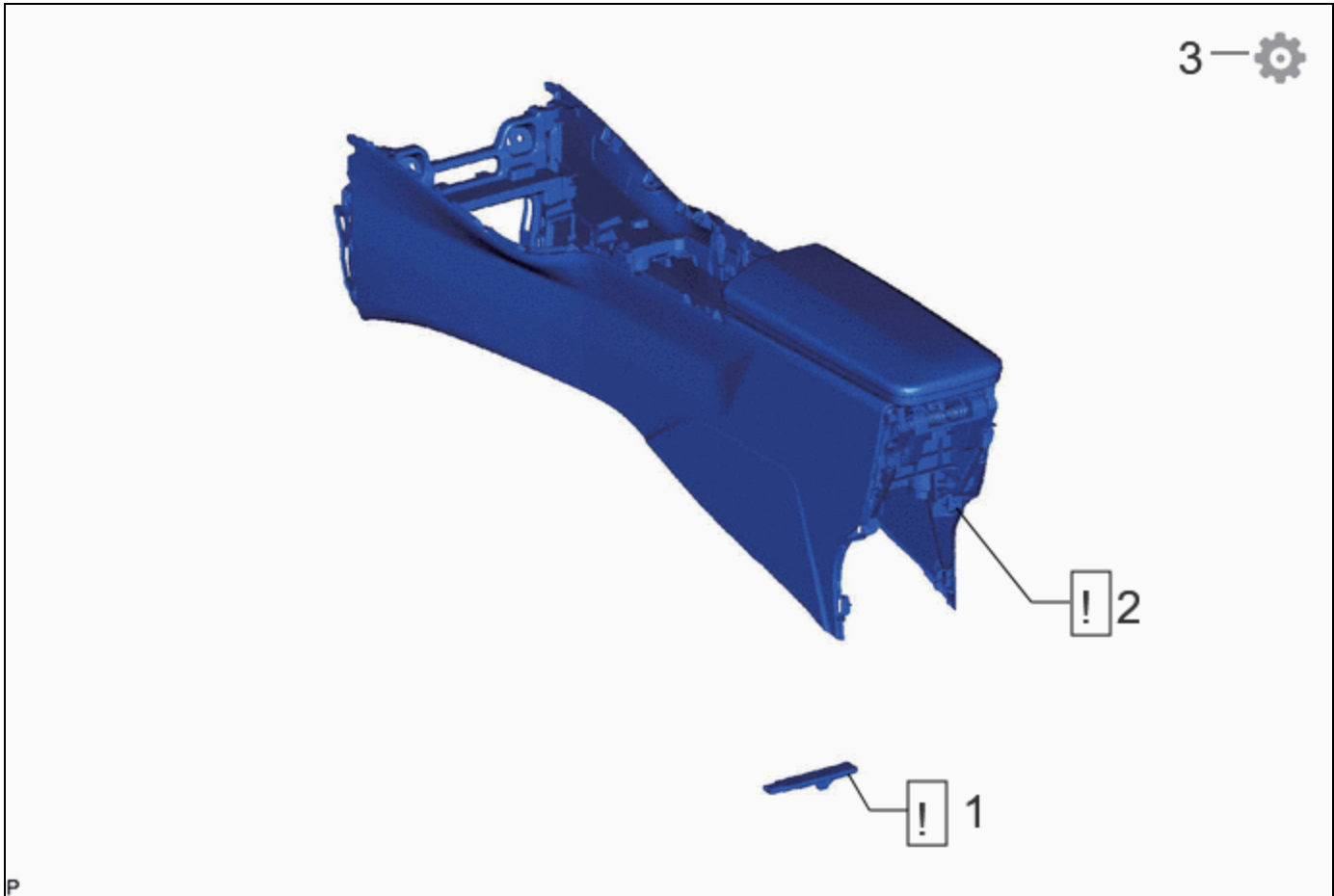


<b>Last Modified:</b> 12-04-2024	6.11:8.1.0	<b>Doc ID:</b> RM100000029TVX
<b>Model Year Start:</b> 2023	<b>Model:</b> Prius Prime	<b>Prod Date Range:</b> [12/2022 - ]
<b>Title:</b> THEFT DETERRENT / KEYLESS ENTRY: DIGITAL KEY RECEIVER (for Front Floor): INSTALLATION; 2023 - 2024 MY Prius Prius Prime [12/2022 - ]		

## INSTALLATION

### CAUTION / NOTICE / HINT

#### COMPONENTS (INSTALLATION)



	PROCEDURE	PART NAME CODE			
1	BLE INDOOR DIGITAL KEY RECEIVER ASSEMBLY	890G0	<a href="#">INFO</a>	-	-
2	REAR CONSOLE BOX ASSEMBLY	58910C	<a href="#">INFO</a>	-	-
3	REGISTRATION DIGITAL KEY ECU	-	-	-	<a href="#">INFO</a>

## PROCEDURE

### 1. INSTALL BLE INDOOR DIGITAL KEY RECEIVER ASSEMBLY



**NOTICE:**

Be careful when installing the digital key receiver. If the digital key receiver is dropped, replace it with a new one.

**2. INSTALL REAR CONSOLE BOX ASSEMBLY**



Click here [INFO](#)

**3. REGISTRATION DIGITAL KEY SYSTEM**

Click here [INFO](#)

