

<b>Last Modified:</b> 12-04-2024	6.11:8.1.0	<b>Doc ID:</b> RM10000002BJKL
<b>Model Year Start:</b> 2023	<b>Model:</b> Prius Prime	<b>Prod Date Range:</b> [03/2023 - ]
<b>Title:</b> SUPPLEMENTAL RESTRAINT SYSTEMS: SPIRAL CABLE: REMOVAL; 2023 - 2024 MY Prius Prius Prime [03/2023 - ]		

## REMOVAL

### CAUTION / NOTICE / HINT

The necessary procedures (adjustment, calibration, initialization or registration) that must be performed after parts are removed and installed, or replaced during spiral cable sub-assembly removal/installation are shown below.

### CAUTION / NOTICE / HINT

#### **HINT:**

When the cable is disconnected / reconnected to the auxiliary battery terminal, systems temporarily stop operating. However, each system has a function that completes learning the first time the system is used.

#### **Learning completes when vehicle is driven**

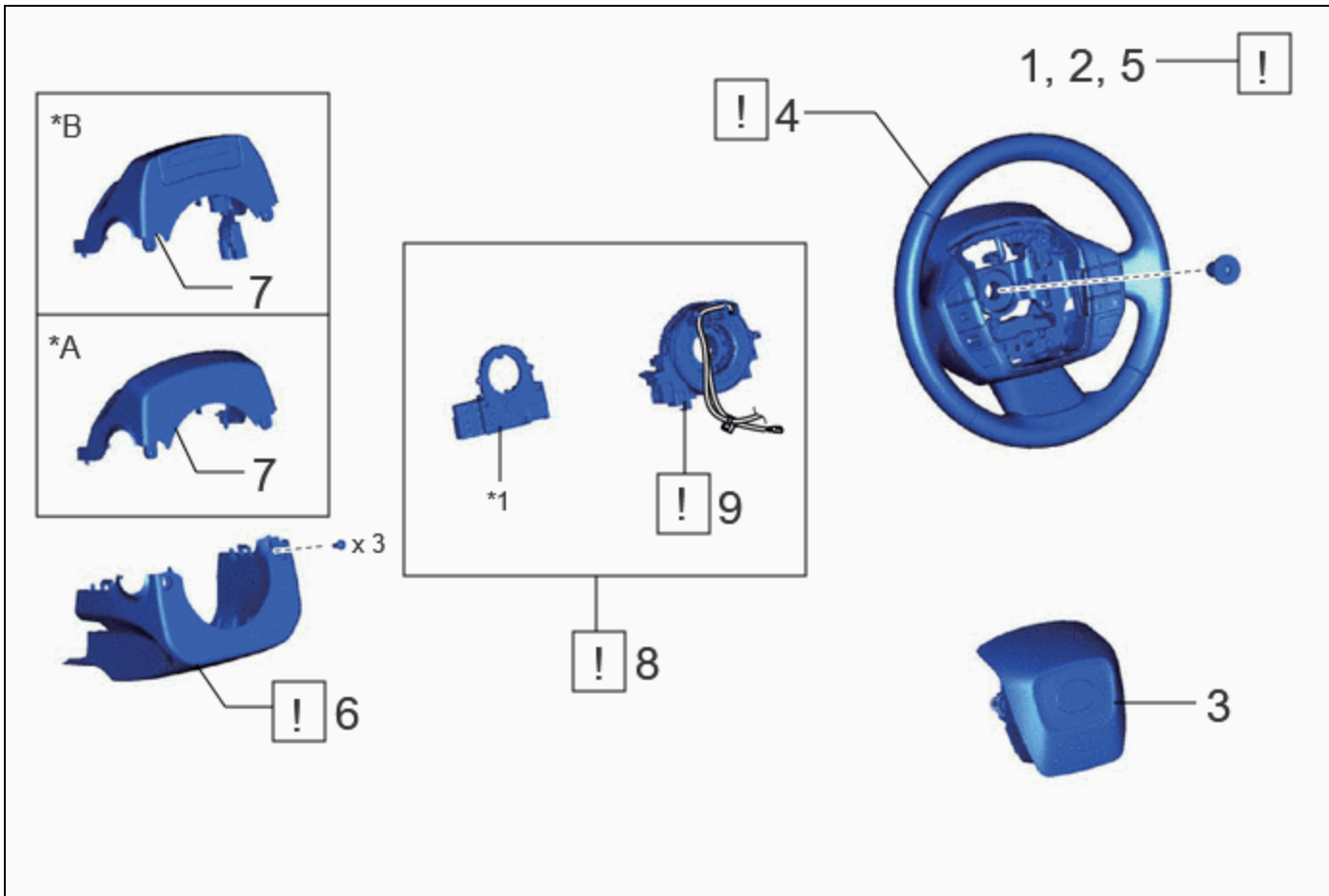
EFFECT/INOPERATIVE FUNCTION WHEN NECESSARY PROCEDURE NOT PERFORMED	NECESSARY PROCEDURE	LINK
Front Camera System	Drive the vehicle straight ahead at 35 km/h (22 mph) or more for 5 seconds or more.	<a href="#">INFO</a>

#### **Learning completes when vehicle is operated normally**

EFFECT/INOPERATIVE FUNCTION WHEN NECESSARY PROCEDURE NOT PERFORMED	NECESSARY PROCEDURE	LINK
Power Door Lock Control System*1 <ul style="list-style-type: none"> <li>Back door opener</li> </ul>	Perform door unlock operation with door control switch or electrical key transmitter sub-assembly switch.	<a href="#">INFO</a>
Power Back Door System*2	Reset back door close position	<a href="#">INFO</a>
Air Conditioning System	<p><b>for HEV Model:</b></p> <p>After the ignition switch is turned to ON, the servo motor standard position is recognized.</p> <p><b>for PHEV Model:</b></p> <p>After the ignition switch is turned to ON, the servo motor and expansion valve standard position is recognized.</p>	-
*1: w/o Power Back Door System		
*2: w/ Power Back Door System		

### CAUTION / NOTICE / HINT

#### **COMPONENTS (REMOVAL)**



PROCEDURE		PART NAME CODE			
1	PRECAUTION	-	<a href="#">INFO</a>	-	-
2	ALIGN FRONT WHEELS FACING STRAIGHT AHEAD	-	-	-	-
3	HORN BUTTON ASSEMBLY	45130	-	-	-
4	STEERING WHEEL ASSEMBLY	45100	<a href="#">INFO</a>	-	-
5	INSPECT SPIRAL CABLE WITH SENSOR SUB-ASSEMBLY	-	<a href="#">INFO</a>	-	-
6	LOWER STEERING COLUMN COVER	45287	<a href="#">INFO</a>	-	-
7	UPPER STEERING COLUMN COVER	45286B	-	-	-
8	SPIRAL CABLE WITH SENSOR SUB-ASSEMBLY	-	<a href="#">INFO</a>	-	-
9	SPIRAL CABLE SUB-ASSEMBLY	84306	<a href="#">INFO</a>	-	-


*A	w/o Driver Monitor Camera	*B	w/ Driver Monitor Camera
*1	STEERING SENSOR	-	-

## PROCEDURE

### 1. PRECAUTION

!

**CAUTION:**  
Be sure to read Precaution thoroughly before servicing.



Click here [INFO](#)

**NOTICE:**  
After the ignition switch is turned off, there may be a waiting time before disconnecting the negative (-) auxiliary battery terminal.

Click here [INFO](#)

## 2. ALIGN FRONT WHEELS FACING STRAIGHT AHEAD

Click here [INFO](#)

## 3. REMOVE HORN BUTTON ASSEMBLY

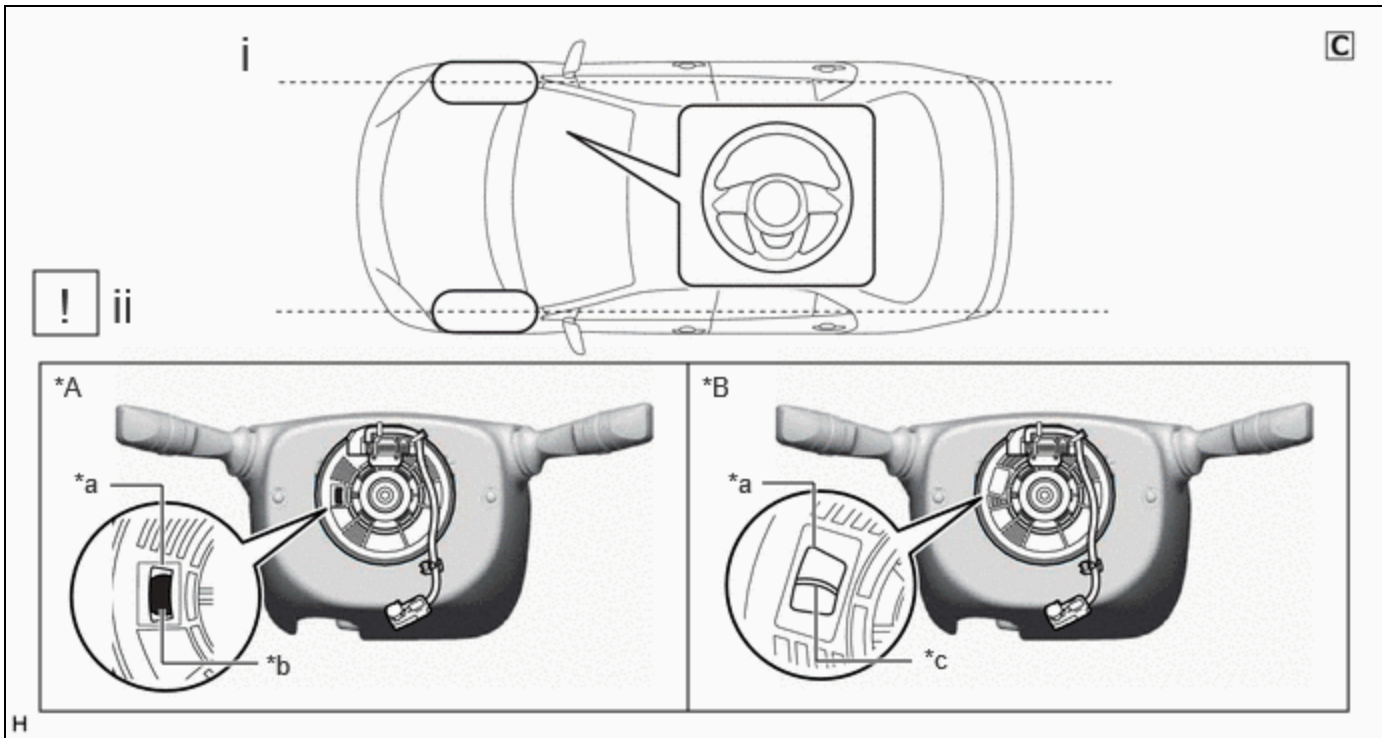
Click here

## 4. REMOVE STEERING WHEEL ASSEMBLY

!

Click here [INFO](#)

## 5. INSPECT SPIRAL CABLE WITH SENSOR SUB-ASSEMBLY



*A	Colored Roller Type	*B	Flat Cable Type
*a	Inspection Window	*b	Colored Roller
*c	Flat Cable	-	-

- (1) Check that the front wheels are facing straight ahead.
- (2) Check that the spiral cable with sensor sub-assembly is centered.


**OK:**

- The connector is positioned at the top.
- The flat cable or colored roller can be seen in the inspection window.

**NOTICE:**

If the spiral cable with sensor sub-assembly cannot be centered, it may be damaged. Replace the spiral cable sub-assembly and steering sensor with a new one.

**6. REMOVE LOWER STEERING COLUMN COVER**




Click here [INFO](#)

**7. REMOVE UPPER STEERING COLUMN COVER**

Click here [INFO](#)

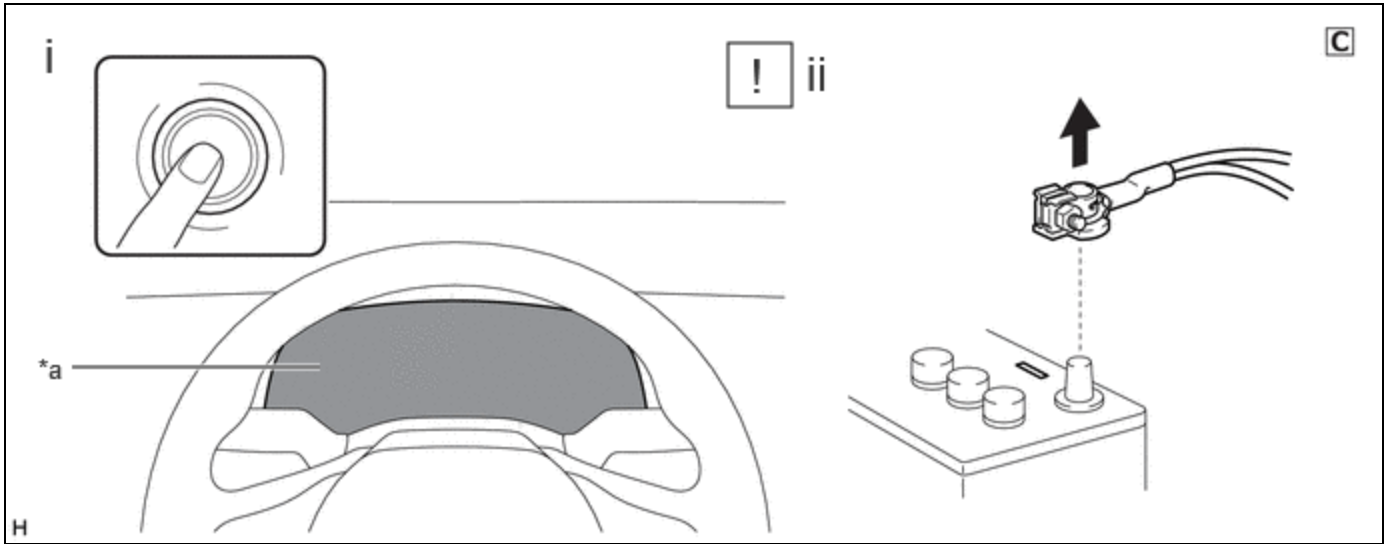
**8. REMOVE SPIRAL CABLE WITH SENSOR SUB-ASSEMBLY**



**NOTICE:**

- Do not remove/install the spiral cable with sensor sub-assembly with the auxiliary battery connected and the ignition switch ON.
- Do not rotate the spiral cable with sensor sub-assembly without the steering wheel assembly installed, with the auxiliary battery connected and the ignition switch ON.

- Ensure that the steering wheel assembly is installed and aligned straight when inspecting the steering sensor.

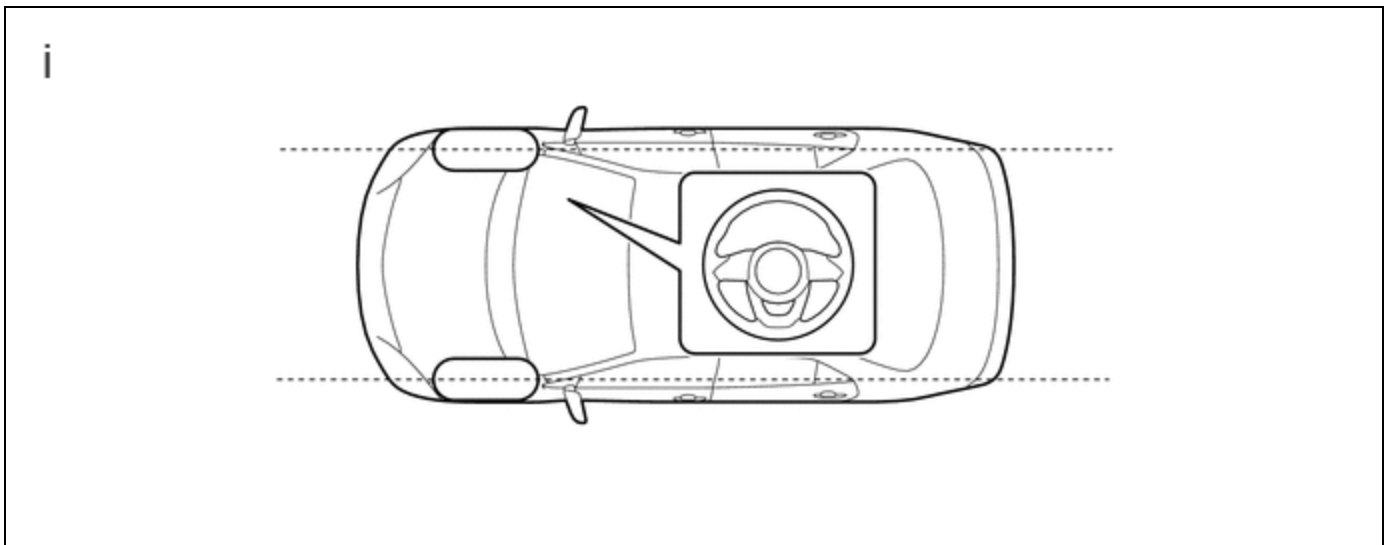


*a	Illumination off	-	-
----	------------------	---	---

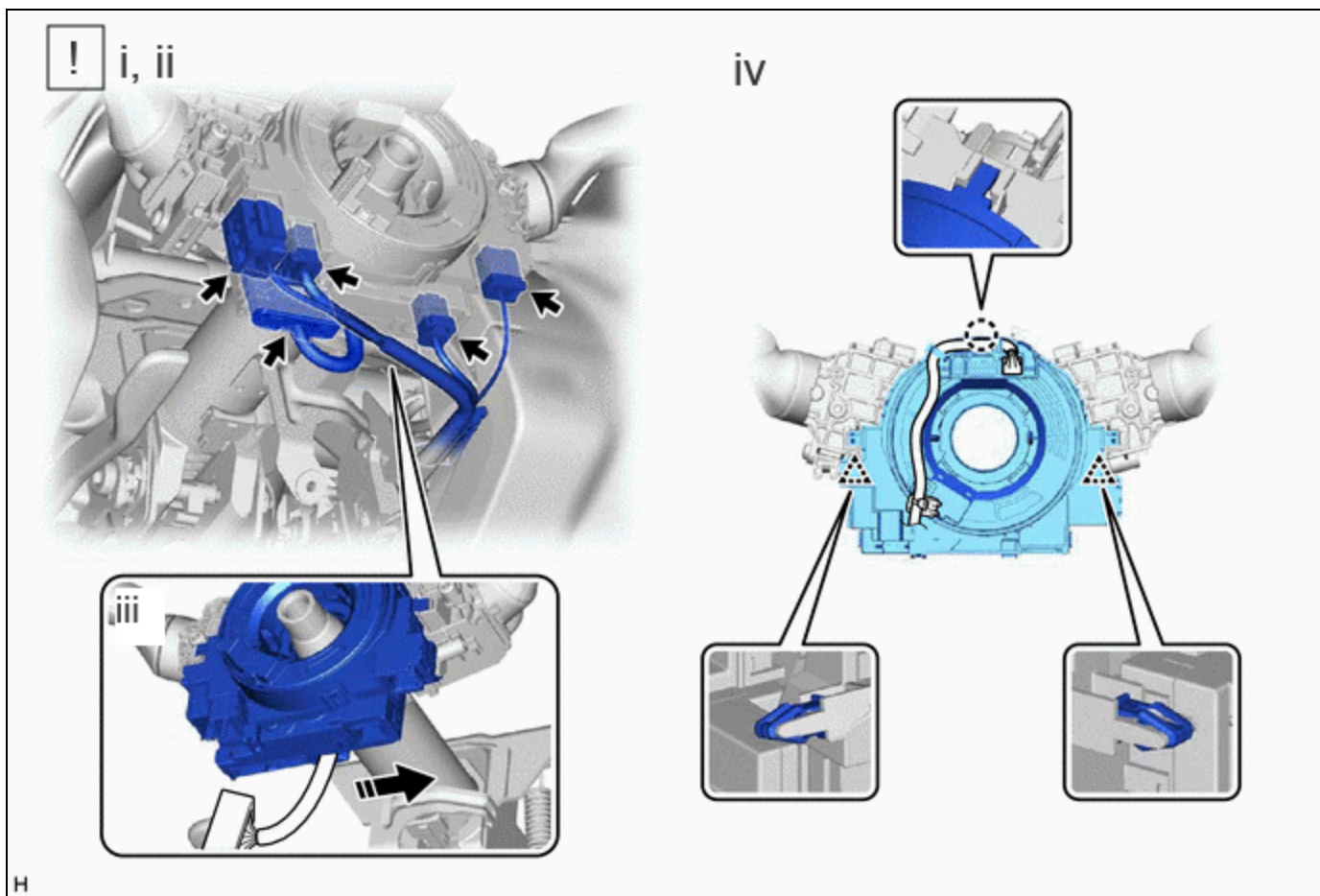
- (1) Check that the ignition switch is off.
- (2) Check that the cable is disconnected from the negative (-) auxiliary battery terminal.

**CAUTION:**

Wait at least 60 seconds after disconnecting the cable from the negative (-) auxiliary battery terminal to disable the SRS system.



- (1) Check that the front wheels are aligned facing straight ahead.



(1) Disconnect the yellow airbag connector from the spiral cable with sensor sub-assembly.

**NOTICE:**

When disconnecting any airbag connector, take care not to damage the airbag wire harness.

**HINT:**

Refer to [How to Connect or Disconnect Airbag Connector](#).

Click here [INFO](#)

(2) Disconnect the other connectors from the spiral cable with sensor sub-assembly.

(3) Separate the wire harness from the spiral cable with sensor sub-assembly as shown in the illustration.

(4) Disengage the claw and 2 clips to remove the spiral cable with sensor sub-assembly.

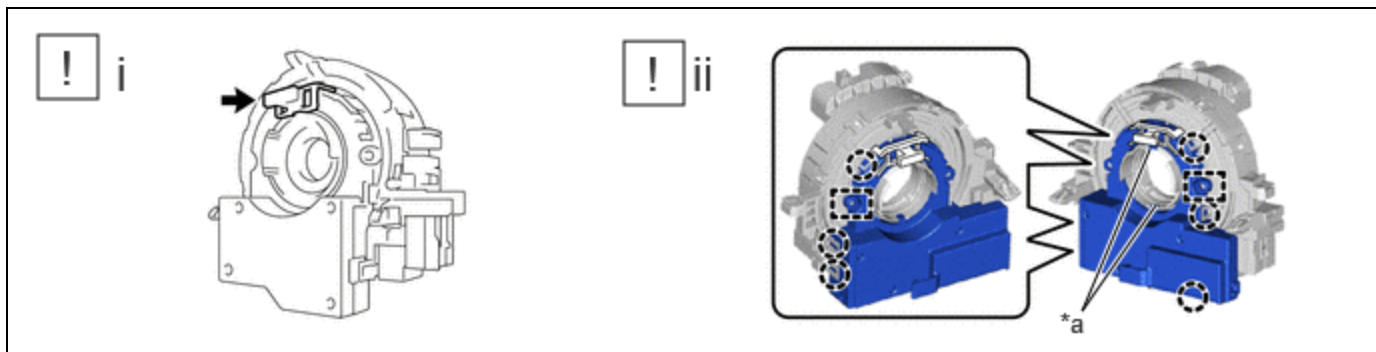
**9. REMOVE SPIRAL CABLE SUB-ASSEMBLY**



**NOTICE:**

- Remove the steering sensor from the spiral cable sub-assembly only when replacing the spiral cable sub-assembly or the steering sensor.
- Removing the steering sensor from the spiral cable sub-assembly without using a lock pin may result in the center position of the steering sensor becoming misaligned. Therefore, make sure to use the lock pin provided with a new spiral cable sub-assembly when removing the steering sensor from the spiral cable sub-assembly.
- When replacing the steering sensor:

Click here [INFO](#)



*a	Guide	-	-
----	-------	---	---

(1) Install the lock pin to the steering sensor.

**NOTICE:**

- Use the lock pin provided with a new spiral cable sub-assembly.
- Do not remove the lock pin before installing the steering sensor to the spiral cable sub-assembly.

(2) Disengage the 6 claws and 2 pins to remove the spiral cable sub-assembly from the steering sensor.

**NOTICE:**

Do not damage the pins of the spiral cable sub-assembly or guides of the steering sensor.

