

Last Modified: 12-04-2024	6.11:8.1.0	Doc ID: RM10000002BJK0
Model Year Start: 2023	Model: Prius Prime	Prod Date Range: [03/2023 -]
Title: SUPPLEMENTAL RESTRAINT SYSTEMS: REAR SEAT SIDE AIRBAG ASSEMBLY: REMOVAL; 2023 - 2024 MY Prius Prius Prime [03/2023 -]		

REMOVAL

CAUTION / NOTICE / HINT

The necessary procedures (adjustment, calibration, initialization or registration) that must be performed after parts are removed and installed, or replaced during rear seat airbag assembly removal/installation are shown below.

CAUTION / NOTICE / HINT

HINT:

When the cable is disconnected / reconnected to the auxiliary battery terminal, systems temporarily stop operating. However, each system has a function that completes learning the first time the system is used.

Learning completes when vehicle is driven

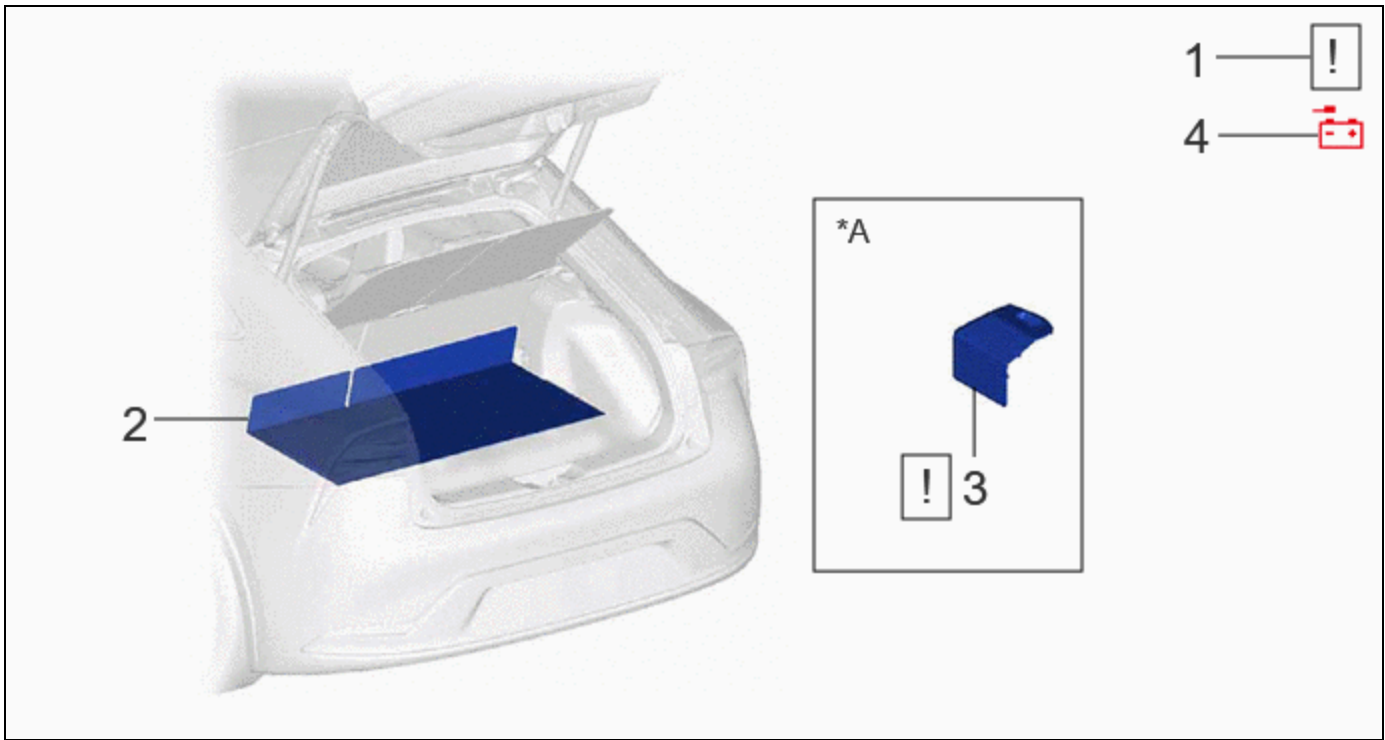
EFFECT/INOPERATIVE FUNCTION WHEN NECESSARY PROCEDURE NOT PERFORMED	NECESSARY PROCEDURE	LINK
Front Camera System	Drive the vehicle straight ahead at 35 km/h (22 mph) or more for 5 seconds or more.	INFO

Learning completes when vehicle is operated normally

EFFECT/INOPERATIVE FUNCTION WHEN NECESSARY PROCEDURE NOT PERFORMED	NECESSARY PROCEDURE	LINK
Power Door Lock Control System*1 <ul style="list-style-type: none"> Back door opener 	Perform door unlock operation with door control switch or electrical key transmitter sub-assembly switch.	INFO
Power Back Door System*2	Reset back door close position	INFO
Air Conditioning System	<p>for HEV Model:</p> <p>After the ignition switch is turned to ON, the servo motor standard position is recognized.</p> <p>for PHEV Model:</p> <p>After the ignition switch is turned to ON, the servo motor and expansion valve standard position is recognized.</p>	-
*1: w/o Power Back Door System		
*2: w/ Power Back Door System		

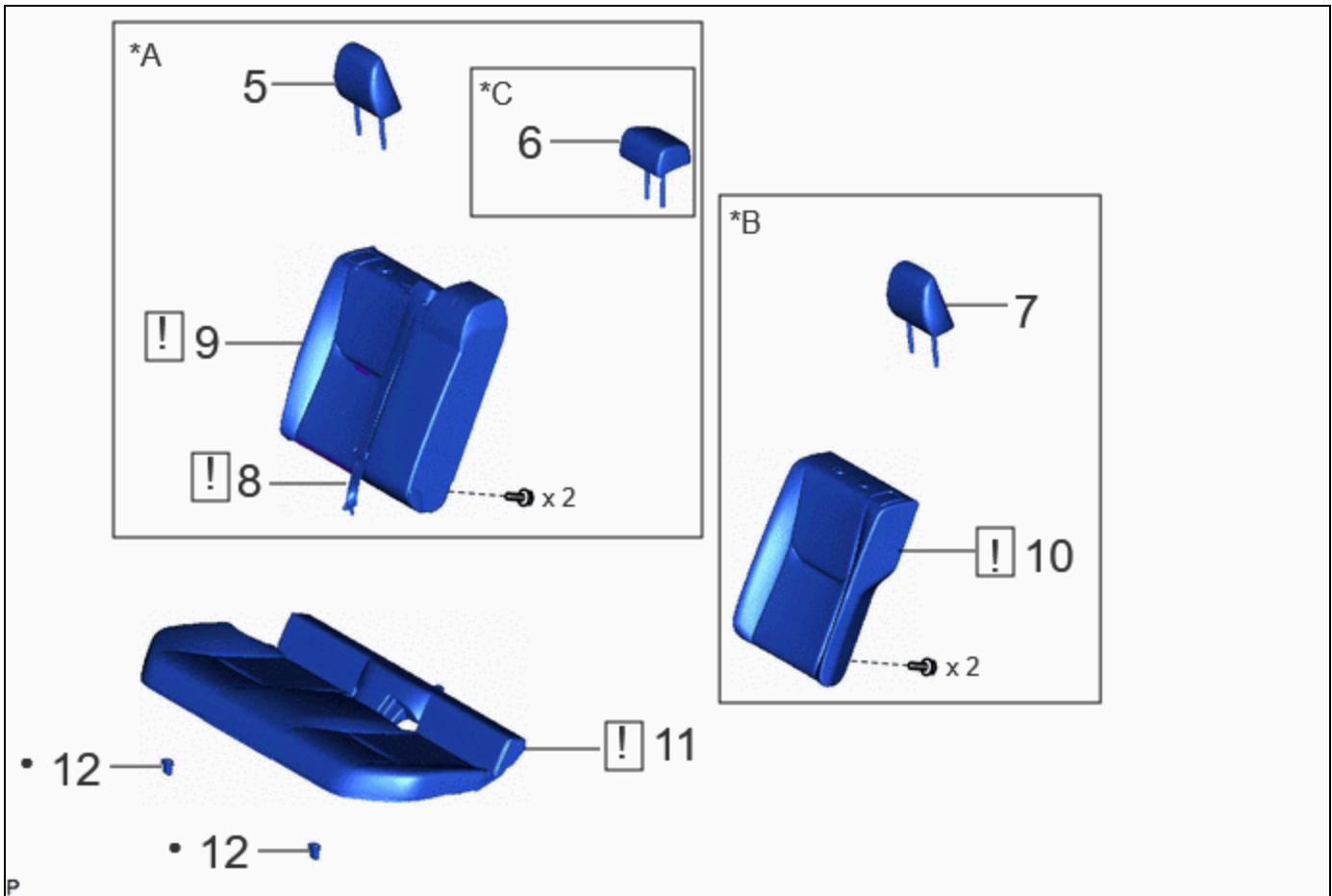
CAUTION / NOTICE / HINT

COMPONENTS (REMOVAL)



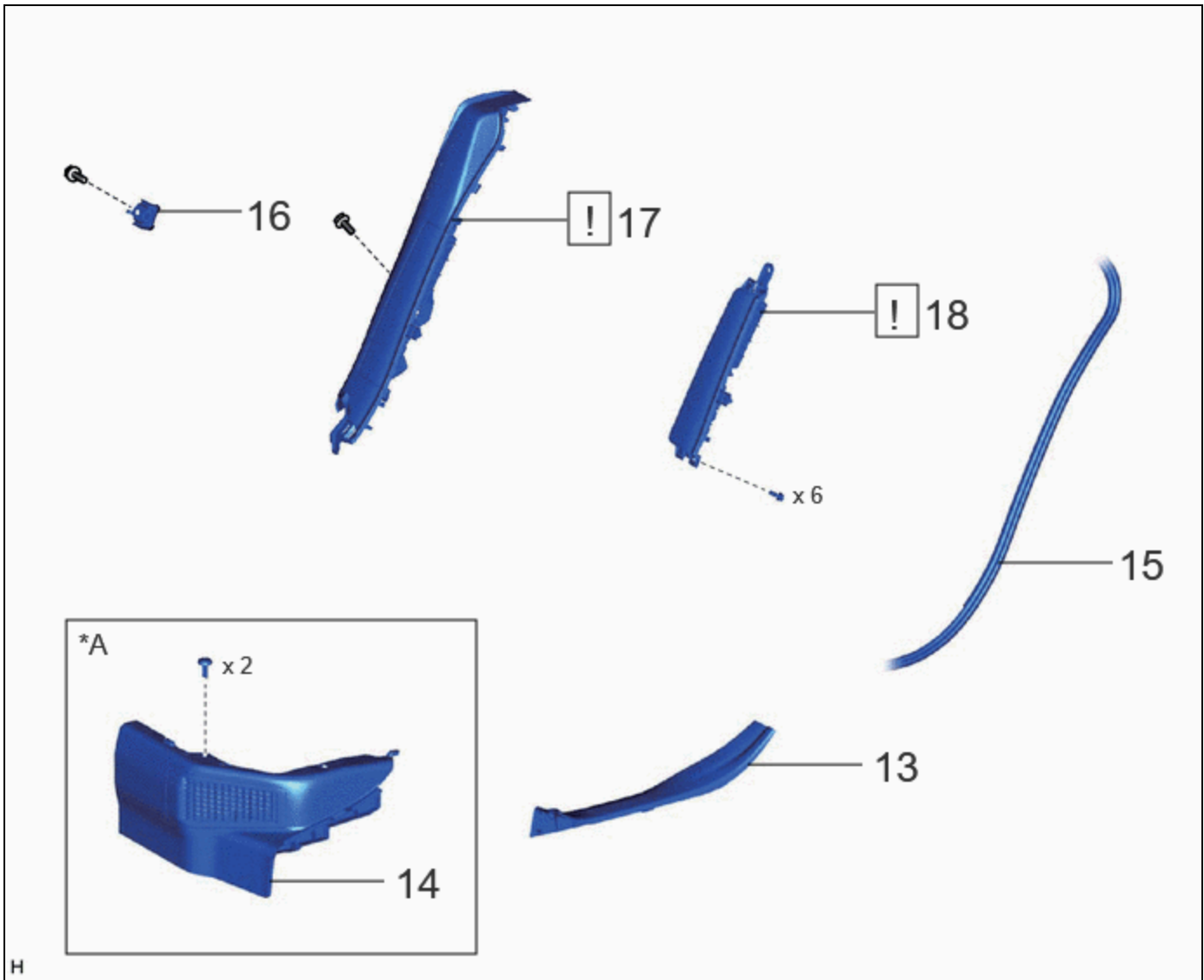
PROCEDURE		PART NAME CODE			
1	PRECAUTION	-	INFO	-	-
2	DECK BOARD ASSEMBLY	58410B	-	-	-
3	BATTERY SERVICE HOLE COVER ASSEMBLY	58440	INFO	-	-
4	DISCONNECT CABLE FROM NEGATIVE AUXILIARY BATTERY TERMINAL	-	INFO	-	-

*A	for M20A-FXS	-	-
----	--------------	---	---



PROCEDURE		PART NAME CODE			
5	REAR SEAT HEADREST ASSEMBLY	71940A	-	-	-
6	REAR SEAT CENTER HEADREST ASSEMBLY	71960B	-	-	-
7	REAR SEAT HEADREST ASSEMBLY	71940A	-	-	-
8	REAR CENTER SEAT OUTER BELT ASSEMBLY	73350C	INFO	-	-
9	REAR SEATBACK ASSEMBLY RH	-	INFO	-	-
10	REAR SEATBACK ASSEMBLY LH	-	INFO	-	-
11	REAR SEAT CUSHION ASSEMBLY	-	INFO	-	-
12	REAR SEAT CUSHION LOCK HOOK	72693	-	-	-

*A	for RH Side	*B	for LH Side
*C	w/ Center Headrest	-	-
•	Non-reusable part	-	-



PROCEDURE		PART NAME CODE			
13	REAR DOOR SCUFF PLATE INSIDE	67918F	-	-	-
14	REAR UNDER SIDE COVER	76974E	-	-	-
15	REAR DOOR OPENING TRIM WEATHERSTRIP	62332A	-	-	-
16	REAR SEATBACK HINGE SUB-ASSEMBLY	71304C	-	-	-
17	REAR SEAT SIDE GARNISH	62552F	INFO	-	-
18	REAR SEAT AIRBAG ASSEMBLY	73940A	INFO	-	-


*A	for HEV Model	-	-
----	---------------	---	---

PROCEDURE

1. PRECAUTION

!

CAUTION:
Be sure to read Precaution thoroughly before servicing.



Click here [INFO](#)

NOTICE:
After the ignition switch is turned off, there may be a waiting time before disconnecting the negative (-) auxiliary battery terminal.

Click here [INFO](#)

2. REMOVE DECK BOARD ASSEMBLY

Click here [INFO](#)

3. REMOVE BATTERY SERVICE HOLE COVER ASSEMBLY (for M20A-FXS)

!

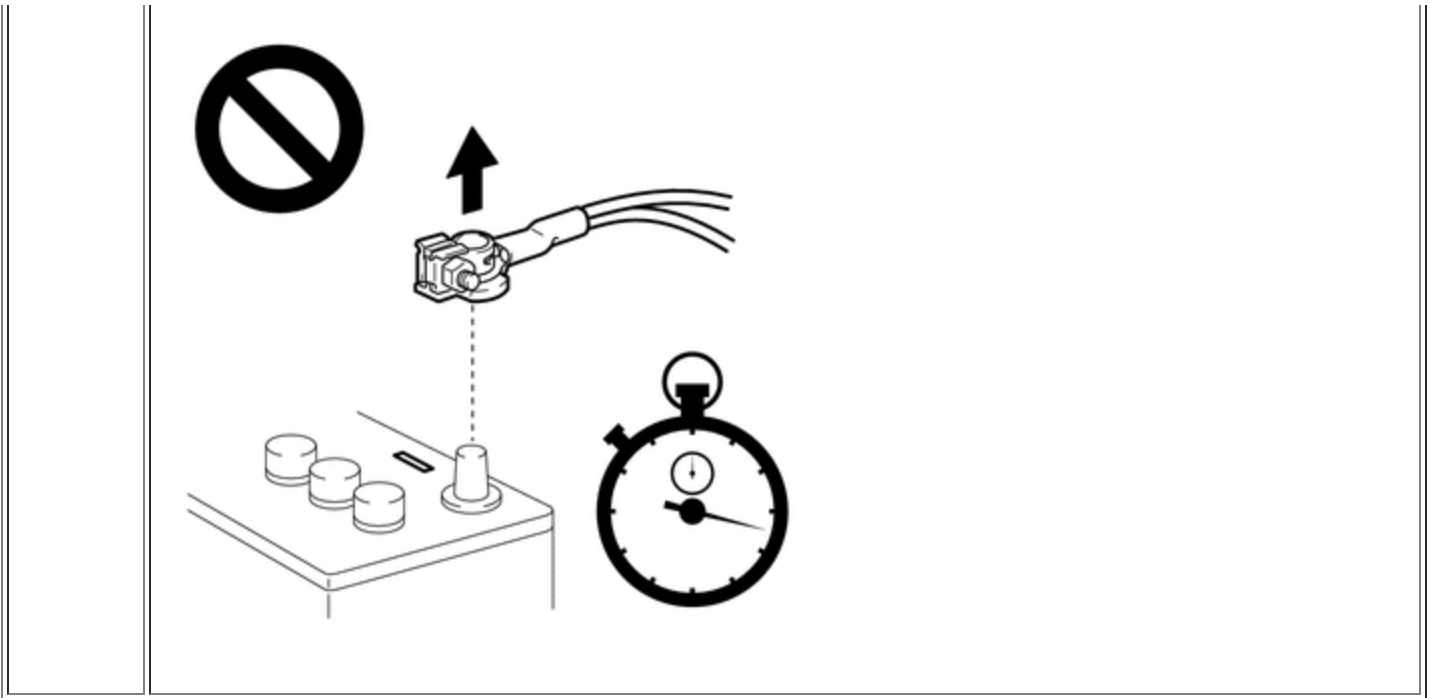
Click here [INFO](#)

4. DISCONNECT CABLE FROM NEGATIVE AUXILIARY BATTERY TERMINAL

!

CAUTION:
Wait at least 60 seconds after disconnecting the cable from the negative (-) auxiliary battery terminal to disable the SRS system.

https://techinfo.toyota.com/t3Portal/resources/jsp/siviewer/index.jsp?dir=rm/RM41D0U&href=xhtml/RM100000002A0DG.html&locale=en&User=false&... 5/8



- for M20A-FXS:

Click here [INFO](#)

- for 2ZR-FXE:

Click here [INFO](#)

5. REMOVE REAR SEAT HEADREST ASSEMBLY (for RH Side)

Click here [INFO](#)


6. REMOVE REAR SEAT CENTER HEADREST ASSEMBLY (for RH Side)

Click here [INFO](#)


7. REMOVE REAR SEAT HEADREST ASSEMBLY (for LH Side)

Click here [INFO](#)

8. DISCONNECT REAR CENTER SEAT OUTER BELT ASSEMBLY (for RH Side)

	Click here INFO
---	---------------------------------

9. REMOVE REAR SEATBACK ASSEMBLY RH (for RH Side)

	Click here INFO
---	---------------------------------

10. REMOVE REAR SEATBACK ASSEMBLY LH (for LH Side)

	Click here INFO
---	---------------------------------

11. REMOVE REAR SEAT CUSHION ASSEMBLY

	Click here INFO
---	---------------------------------

12. REMOVE REAR SEAT CUSHION LOCK HOOK

Click here [INFO](#)

13. REMOVE REAR DOOR SCUFF PLATE INSIDE

Click here [INFO](#)

14. REMOVE REAR UNDER SIDE COVER (for HEV Model)

Click here [INFO](#)


15. DISCONNECT REAR DOOR OPENING TRIM WEATHERSTRIP

Click here [INFO](#)

16. REMOVE REAR SEATBACK HINGE SUB-ASSEMBLY

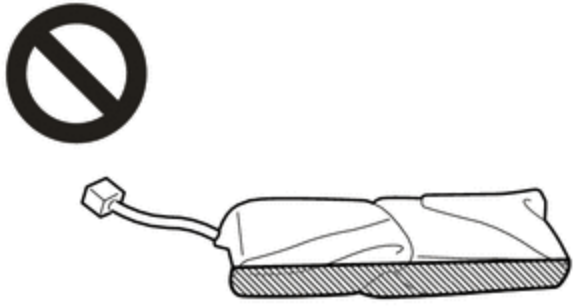
Click here [INFO](#)

17. REMOVE REAR SEAT SIDE GARNISH

	Click here INFO
---	---------------------------------

18. REMOVE REAR SEAT AIRBAG ASSEMBLY

!



0

CAUTION:
When storing the rear seat airbag assembly LH, keep the airbag deployment side facing upward.

