

Last Modified: 12-04-2024	6.11:8.1.0	Doc ID: RM10000002BJM2
Model Year Start: 2023	Model: Prius Prime	Prod Date Range: [03/2023 -]
Title: SUPPLEMENTAL RESTRAINT SYSTEMS: KNEE AIRBAG ASSEMBLY: REMOVAL; 2023 - 2024 MY Prius Prius Prime [03/2023 -]		

REMOVAL

CAUTION / NOTICE / HINT

The necessary procedures (adjustment, calibration, initialization or registration) that must be performed after parts are removed and installed, or replaced during lower No. 1 instrument panel airbag assembly removal/installation are shown below.

CAUTION / NOTICE / HINT

HINT:

When the cable is disconnected / reconnected to the auxiliary battery terminal, systems temporarily stop operating. However, each system has a function that completes learning the first time the system is used.

Learning completes when vehicle is driven

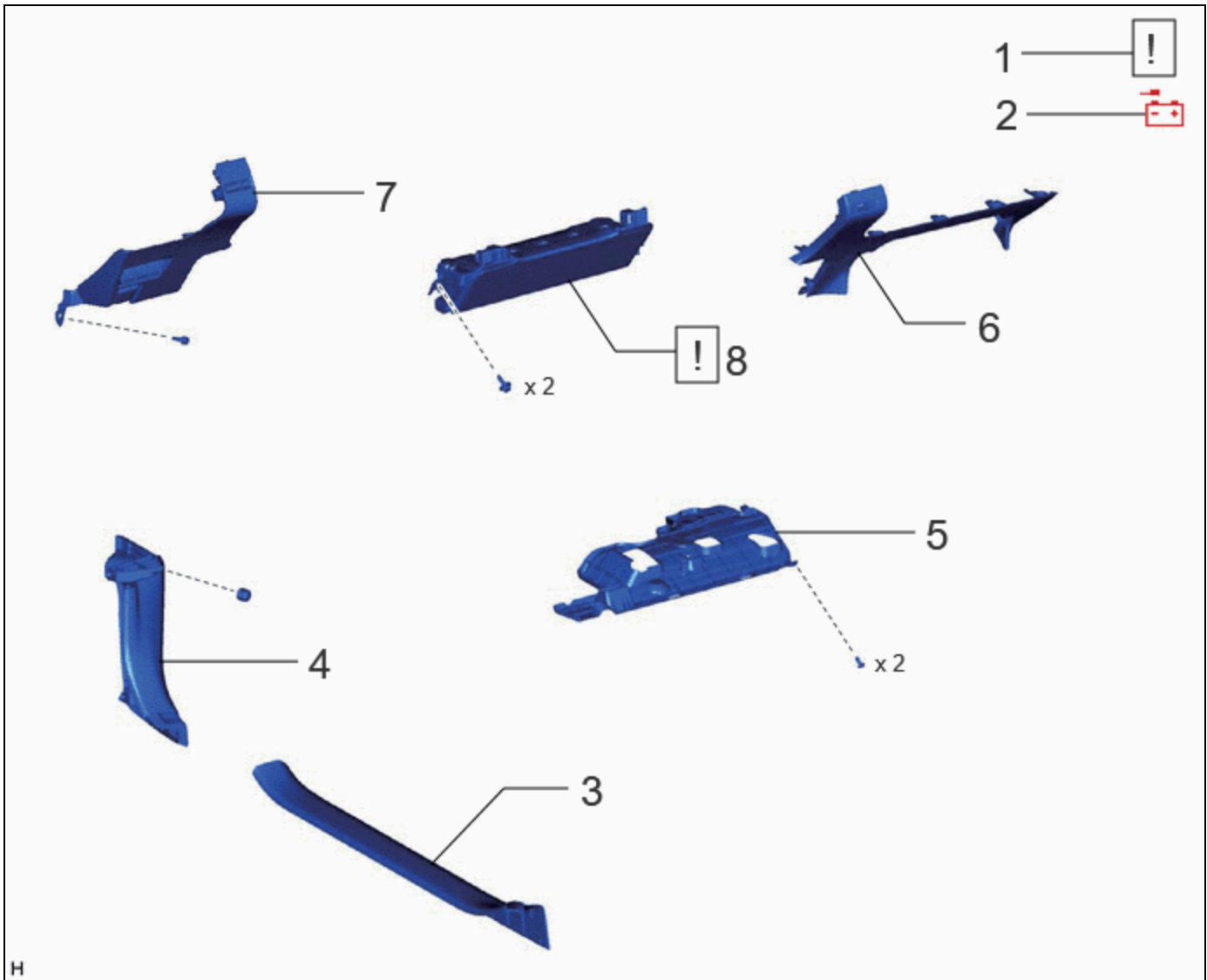
EFFECT/INOPERATIVE FUNCTION WHEN NECESSARY PROCEDURE NOT PERFORMED	NECESSARY PROCEDURE	LINK
Front Camera System	Drive the vehicle straight ahead at 35 km/h (22 mph) or more for 5 seconds or more.	INFO

Learning completes when vehicle is operated normally

EFFECT/INOPERATIVE FUNCTION WHEN NECESSARY PROCEDURE NOT PERFORMED	NECESSARY PROCEDURE	LINK
Power Door Lock Control System*1 <ul style="list-style-type: none"> Back door opener 	Perform door unlock operation with door control switch or electrical key transmitter sub-assembly switch.	INFO
Power Back Door System*2	Reset back door close position	INFO
Air Conditioning System	<p>for HEV Model:</p> <p>After the ignition switch is turned to ON, the servo motor standard position is recognized.</p> <p>for PHEV Model:</p> <p>After the ignition switch is turned to ON, the servo motor and expansion valve standard position is recognized.</p>	-
*1: w/o Power Back Door System		
*2: w/ Power Back Door System		

CAUTION / NOTICE / HINT

COMPONENTS (REMOVAL)



H


	PROCEDURE	PART NAME CODE			
1	PRECAUTION	-	INFO	-	-
2	DISCONNECT CABLE FROM NEGATIVE AUXILIARY BATTERY TERMINAL	-	INFO	-	-
3	FRONT DOOR SCUFF PLATE LH	67914	-	-	-
4	COWL SIDE TRIM BOARD LH	62112	-	-	-
5	NO. 1 INSTRUMENT PANEL UNDER COVER SUB-ASSEMBLY	55606	-	-	-
6	LOWER CENTER INSTRUMENT PANEL FINISH PANEL	55434B	-	-	-
7	LOWER INSTRUMENT PANEL FINISH PANEL ASSEMBLY	55480D	-	-	-
8	LOWER NO. 1 INSTRUMENT PANEL AIRBAG ASSEMBLY	73900	INFO	-	-

PROCEDURE

1. PRECAUTION

!

CAUTION:
Be sure to read Precaution thoroughly before servicing.



Click here [INFO](#)

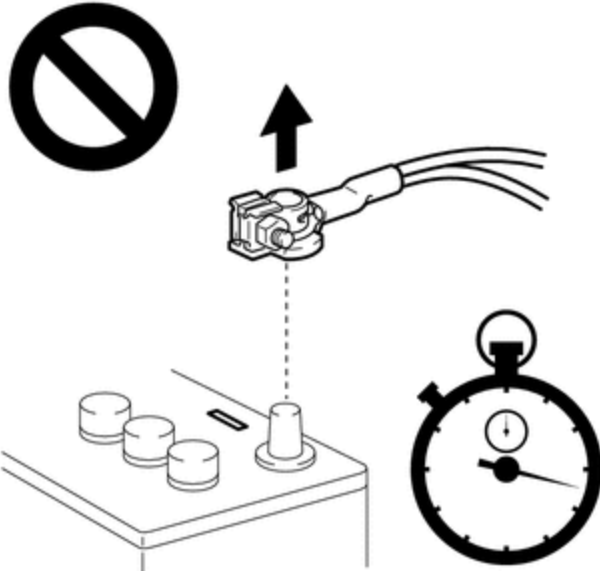
NOTICE:
After the ignition switch is turned off, there may be a waiting time before disconnecting the negative (-) auxiliary battery terminal.

Click here [INFO](#)

2. DISCONNECT CABLE FROM NEGATIVE AUXILIARY BATTERY TERMINAL

!

CAUTION:
Wait at least 60 seconds after disconnecting the cable from the negative (-) auxiliary battery terminal to disable the SRS system.



The illustration shows a cable with a connector being lifted away from a terminal on a table. A large prohibition sign is to the left, and a stopwatch is to the right, indicating a waiting period.

- for M20A-FXS:

Click here [INFO](#)

- for 2ZR-FXE:

Click here [INFO](#)

3. REMOVE FRONT DOOR SCUFF PLATE LH

Click here [INFO](#)

4. REMOVE COWL SIDE TRIM BOARD LH

Click here [INFO](#)

5. REMOVE NO. 1 INSTRUMENT PANEL UNDER COVER SUB-ASSEMBLY

Click here [INFO](#)

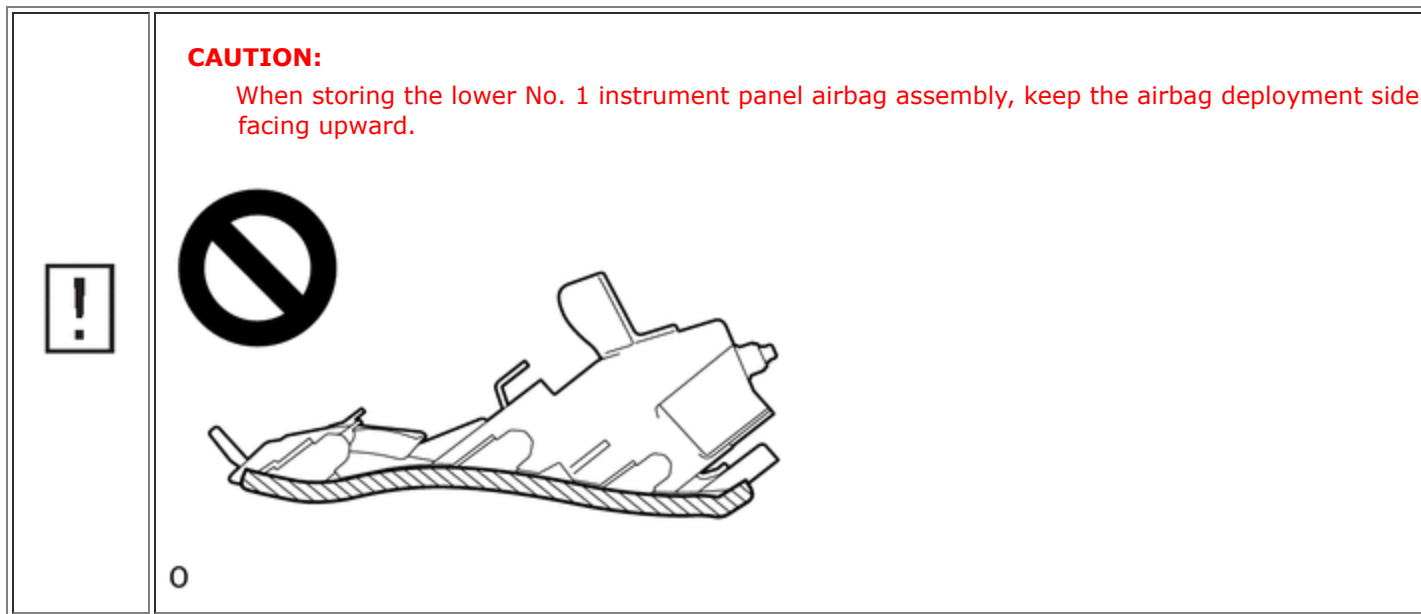
6. REMOVE LOWER CENTER INSTRUMENT PANEL FINISH PANEL

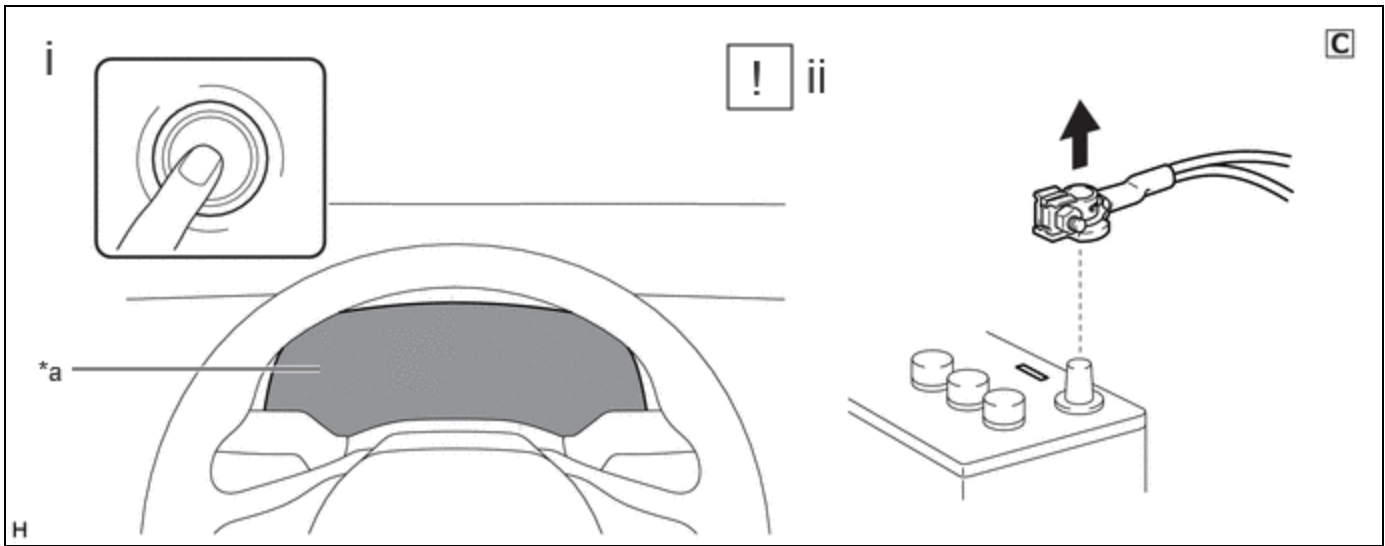
Click here [INFO](#)

7. REMOVE LOWER INSTRUMENT PANEL FINISH PANEL ASSEMBLY

Click here [INFO](#)

8. REMOVE LOWER NO. 1 INSTRUMENT PANEL AIRBAG ASSEMBLY



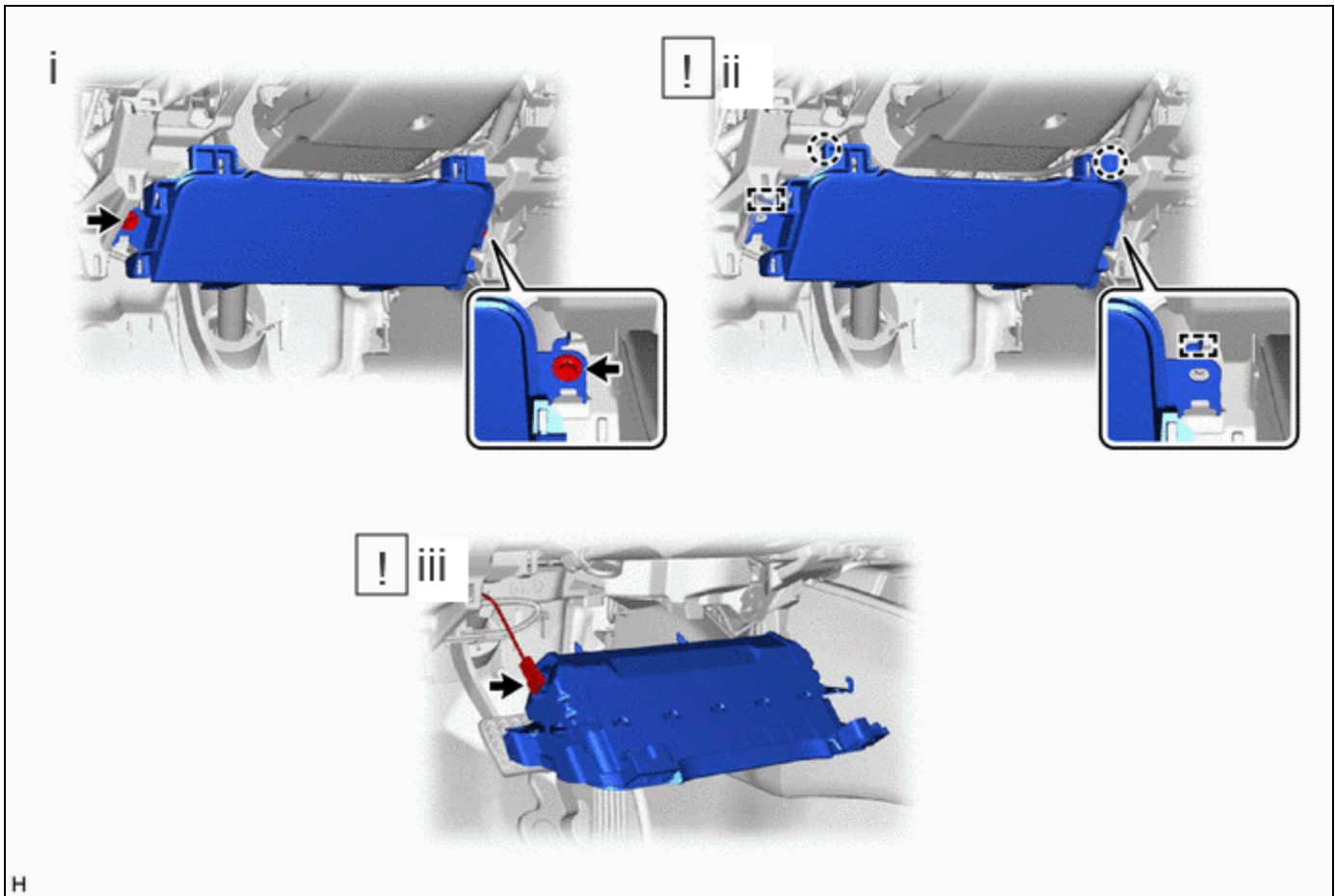


*a	Illumination off	-	-
----	------------------	---	---

- (1) Check that the ignition switch is off.
- (2) Check that the cable is disconnected from the negative (-) auxiliary battery terminal.

CAUTION:

Wait at least 60 seconds after disconnecting the cable from the negative (-) auxiliary battery terminal to disable the SRS system.



- (1) Remove the 2 bolts.
- (2) Disengage the 2 claws and 2 hooks to separate the lower No. 1 instrument panel airbag assembly.

NOTICE:

When separating the lower No. 1 instrument panel airbag assembly, do not pull the airbag wire harness.

(3) Disconnect the airbag connector to remove the lower No. 1 instrument panel airbag assembly.

NOTICE:

When disconnecting any airbag connector, take care not to damage the airbag wire harness.

HINT:

Refer to How to Connect or Disconnect Airbag Connector.

Click here [INFO](#)

