

Last Modified: 12-04-2024	6.11:8.1.0	Doc ID: RM10000002BJM7
Model Year Start: 2023	Model: Prius Prime	Prod Date Range: [03/2023 -]
Title: SUPPLEMENTAL RESTRAINT SYSTEMS: FRONT SEAT SIDE AIRBAG ASSEMBLY: REMOVAL; 2023 - 2024 MY Prius Prius Prime [03/2023 -]		

REMOVAL

CAUTION / NOTICE / HINT

The necessary procedures (adjustment, calibration, initialization or registration) that must be performed after parts are removed and installed, or replaced during front seat airbag assembly removal/installation are shown below.

Necessary Procedures After Parts Removed/Installed/Replaced

REPLACED PART OR PERFORMED PROCEDURE	NECESSARY PROCEDURE	EFFECT/INOPERATIVE FUNCTION WHEN NECESSARY PROCEDURE NOT PERFORMED	LINK
w/ Occupant Classification System: Front passenger seat*	Zero point calibration (Occupant classification system)	<ul style="list-style-type: none"> • Occupant Classification System • Passenger airbag ON/OFF indicator • Airbag System (Front passenger side) • Seat Belt Warning System (Front passenger) 	INFO
<ul style="list-style-type: none"> • Front seatback frame sub-assembly LH* • Front seat adjuster assembly LH* 	Initialize position control ECU	Front Power Seat Control System (w/ Memory)	INFO

*: Even when not replacing the part, it is necessary to perform the specified necessary procedures after installation.

CAUTION / NOTICE / HINT



- Be sure to read Precaution thoroughly before servicing.

[Click here](#) [INFO](#)

- Wear protective gloves. Sharp areas on the parts may injure your hands.

NOTICE:

If a front seat airbag assembly has been deployed, replace the front seat airbag assembly, front seatback frame sub-assembly, separate type front seatback pad and separate type front seatback cover with the necessary parts in accordance with the extent of the collision damage.

for Manual Seat: [Click here](#) [INFO](#)

for Power Seat: [Click here](#) [INFO](#)

CAUTION / NOTICE / HINT

HINT:

When the cable is disconnected / reconnected to the auxiliary battery terminal, systems temporarily stop operating. However, each system has a function that completes learning the first time the system is used.

Learning completes when vehicle is driven

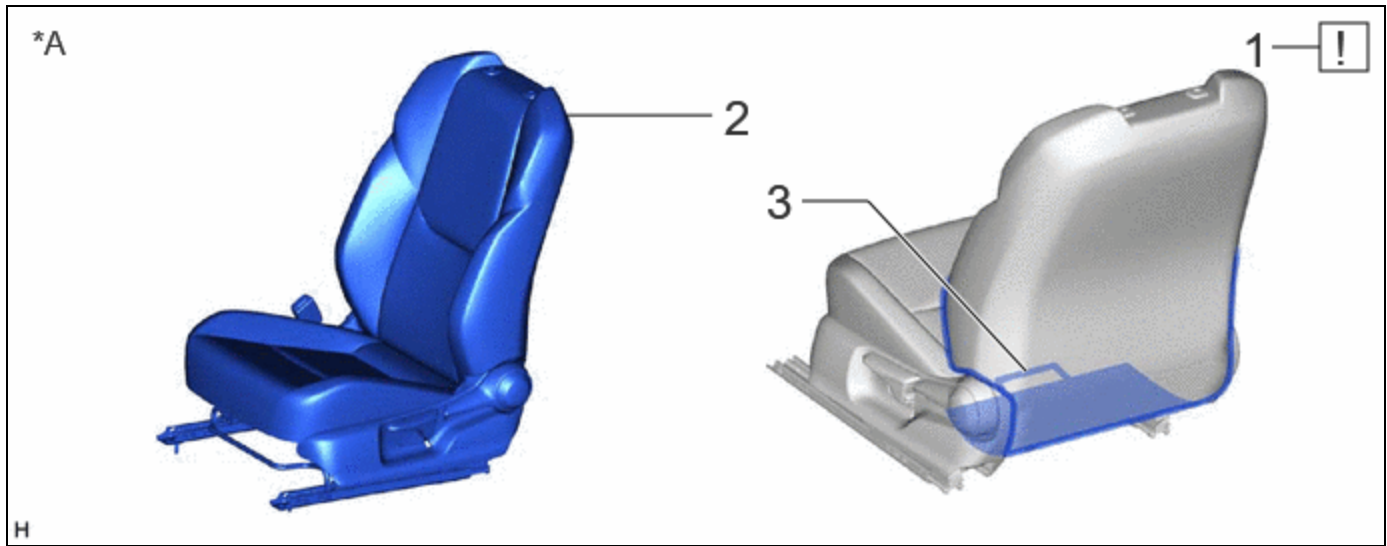
EFFECT/INOPERATIVE FUNCTION WHEN NECESSARY PROCEDURE NOT PERFORMED	NECESSARY PROCEDURE	LINK
Front Camera System	Drive the vehicle straight ahead at 35 km/h (22 mph) or more for 5 seconds or more.	INFO

Learning completes when vehicle is operated normally

EFFECT/INOPERATIVE FUNCTION WHEN NECESSARY PROCEDURE NOT PERFORMED	NECESSARY PROCEDURE	LINK
Power Door Lock Control System*1 <ul style="list-style-type: none"> • Back door opener 	Perform door unlock operation with door control switch or electrical key transmitter sub-assembly switch.	INFO
Power Back Door System*2	Reset back door close position	INFO
Air Conditioning System	<p>for HEV Model:</p> <p>After the ignition switch is turned to ON, the servo motor standard position is recognized.</p> <p>for PHEV Model:</p> <p>After the ignition switch is turned to ON, the servo motor and expansion valve standard position is recognized.</p>	-
*1: w/o Power Back Door System		
*2: w/ Power Back Door System		

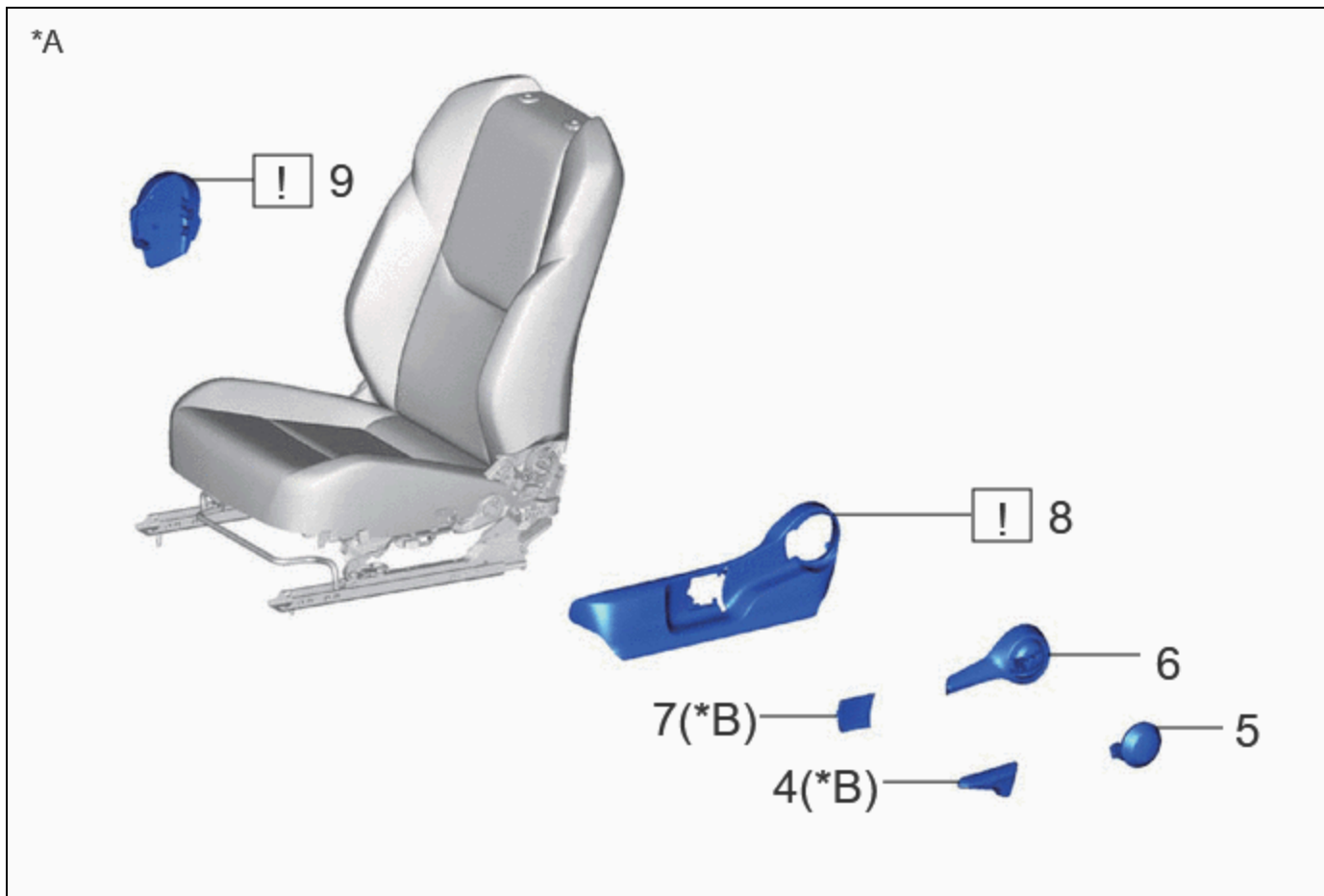
CAUTION / NOTICE / HINT

COMPONENTS (REMOVAL)



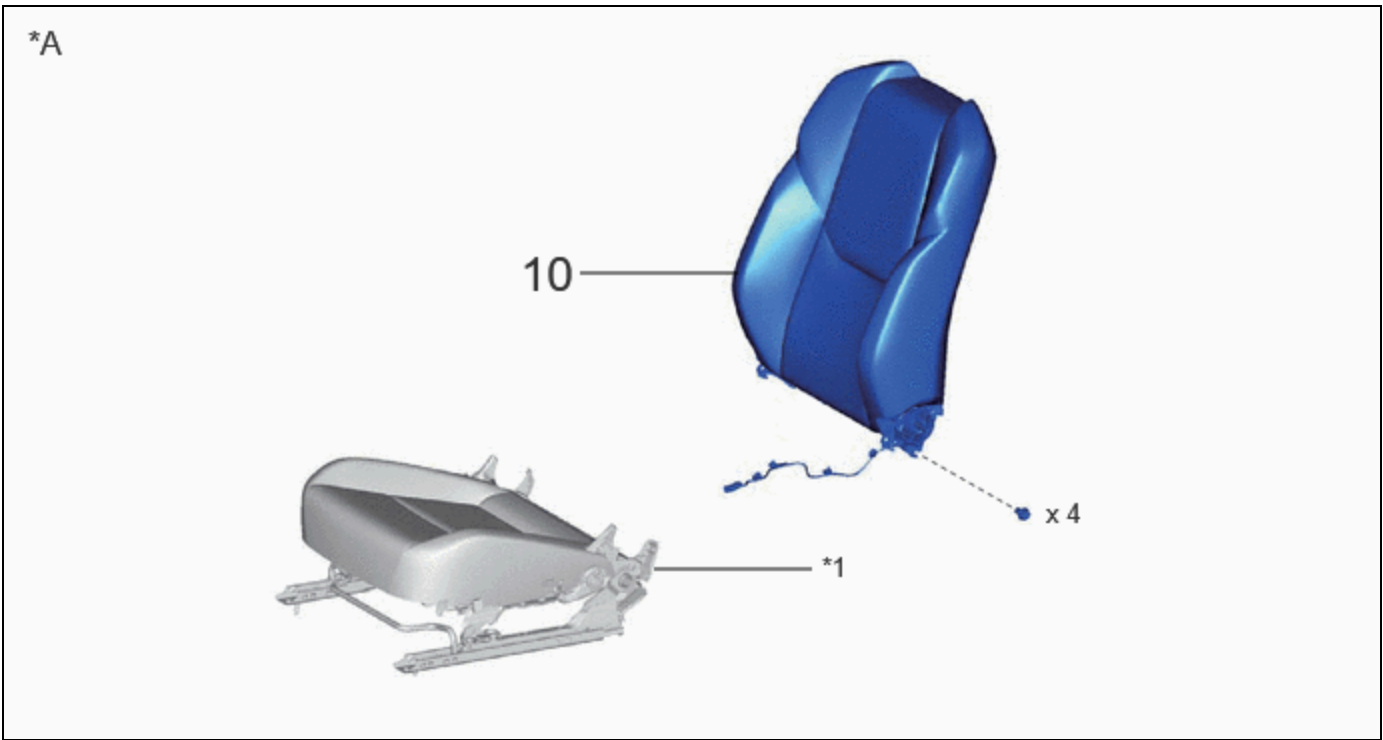
PROCEDURE		PART NAME CODE			
1	PRECAUTION	-	INFO	-	-
2	FRONT SEAT ASSEMBLY	-	-	-	-
3	DISCONNECT SEPARATE TYPE FRONT SEATBACK COVER	71074S	-	-	-

*A	for Manual Seat	-	-
----	-----------------	---	---



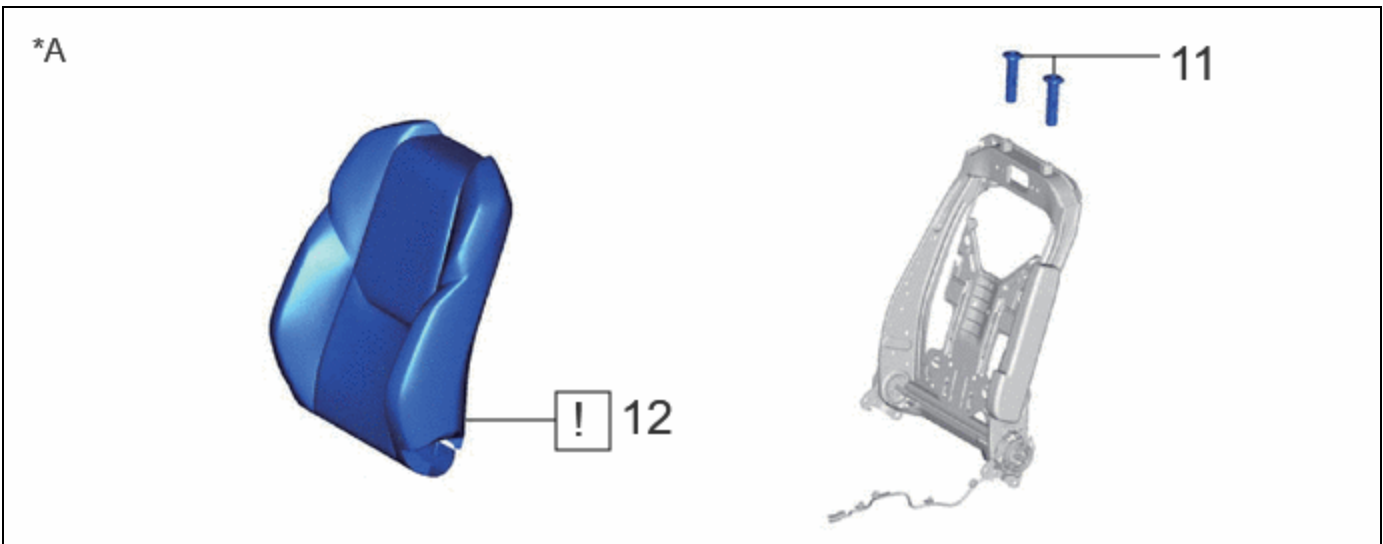
	PROCEDURE	PART NAME CODE			
4	VERTICAL ADJUSTING HANDLE	72495	-	-	-
5	RECLINING HINGE COVER	72552B	-	-	-
6	RECLINING ADJUSTER RELEASE HANDLE	72526A	-	-	-
7	SEAT ADJUSTER COVER CAP	71848A	-	-	-
8	FRONT SEAT CUSHION SHIELD	71812D	INFO	-	-
9	FRONT SEAT INNER CUSHION SHIELD	71862	INFO	-	-




*A	for Manual Seat	*B	w/ Vertical Adjuster
----	-----------------	----	----------------------



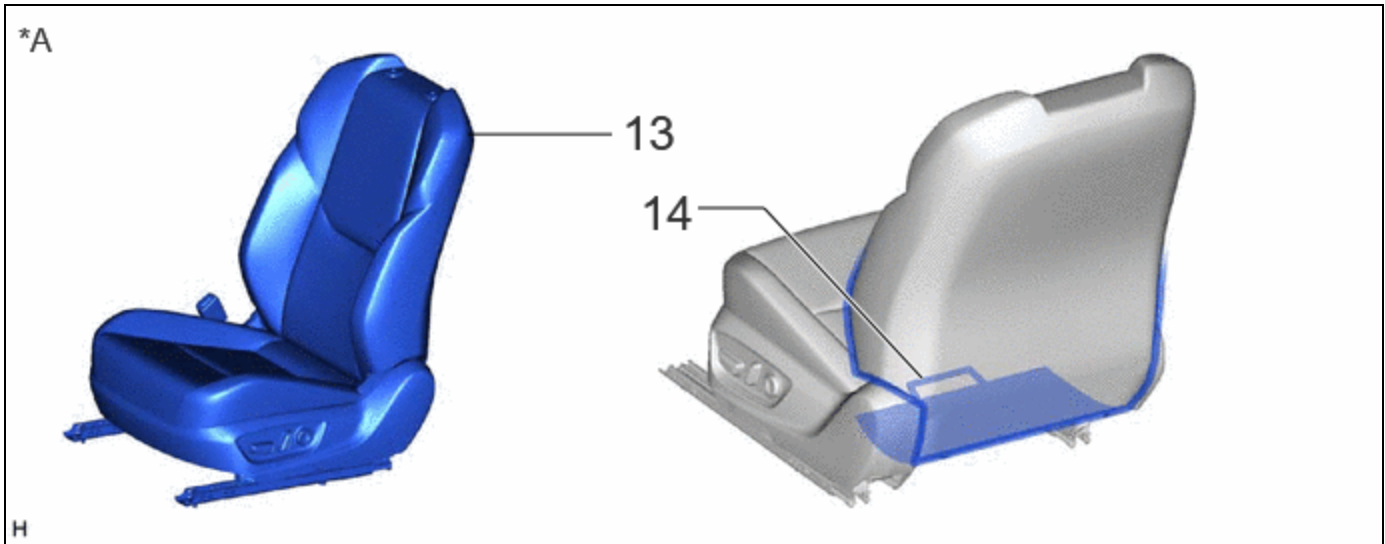
PROCEDURE		PART NAME CODE			
10	SEPARATE TYPE FRONT SEATBACK ASSEMBLY	-	-	-	-




*A	for Manual Seat	-	-
*1	SEPARATE TYPE FRONT SEAT CUSHION ASSEMBLY	-	-



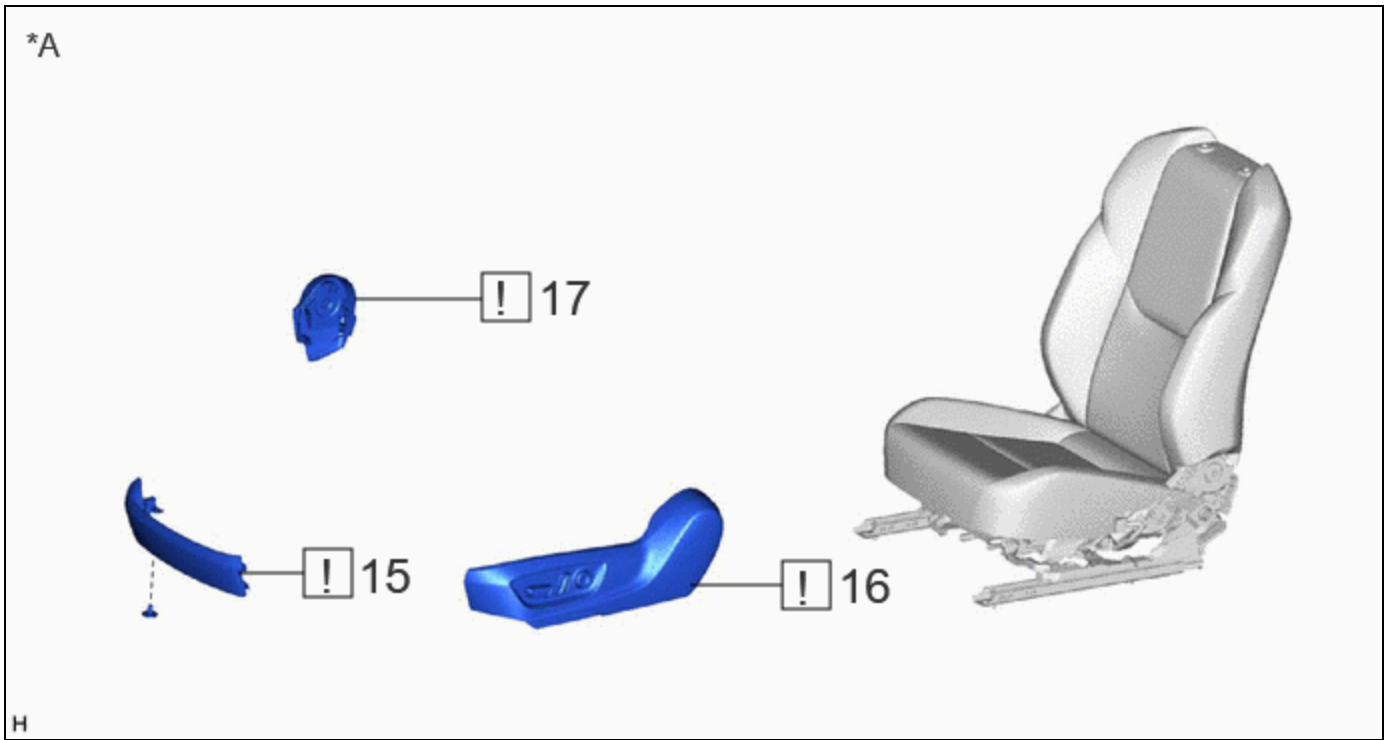
PROCEDURE		PART NAME CODE			
11	FRONT SEAT HEADREST SUPPORT	71931	-	-	-
12	SEPARATE TYPE FRONT SEATBACK COVER WITH PAD	-	INFO	-	-

*A	for Manual Seat	-	-
----	-----------------	---	---



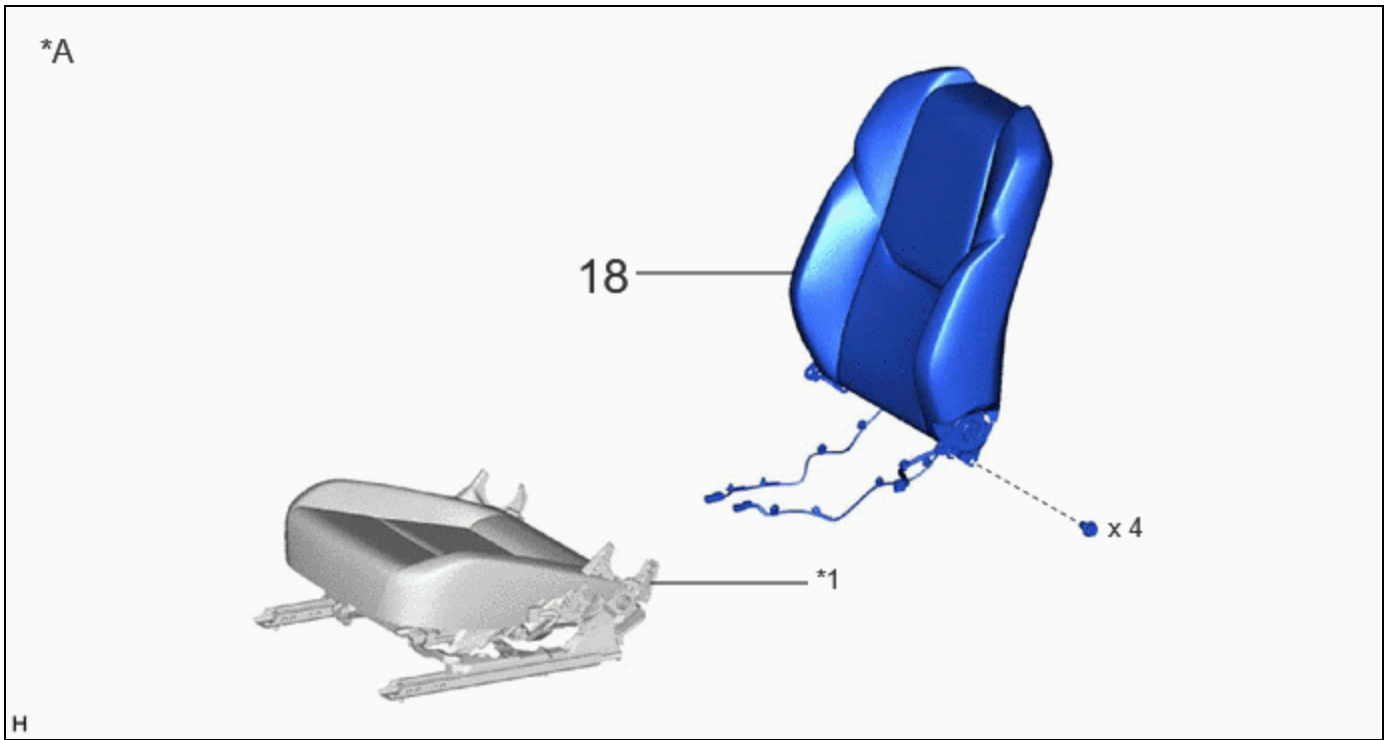
PROCEDURE		PART NAME CODE			
13	FRONT SEAT ASSEMBLY	-	-	-	-
14	DISCONNECT SEPARATE TYPE FRONT SEATBACK COVER	71074S	-	-	-

*A	for Power Seat	-	-
----	----------------	---	---



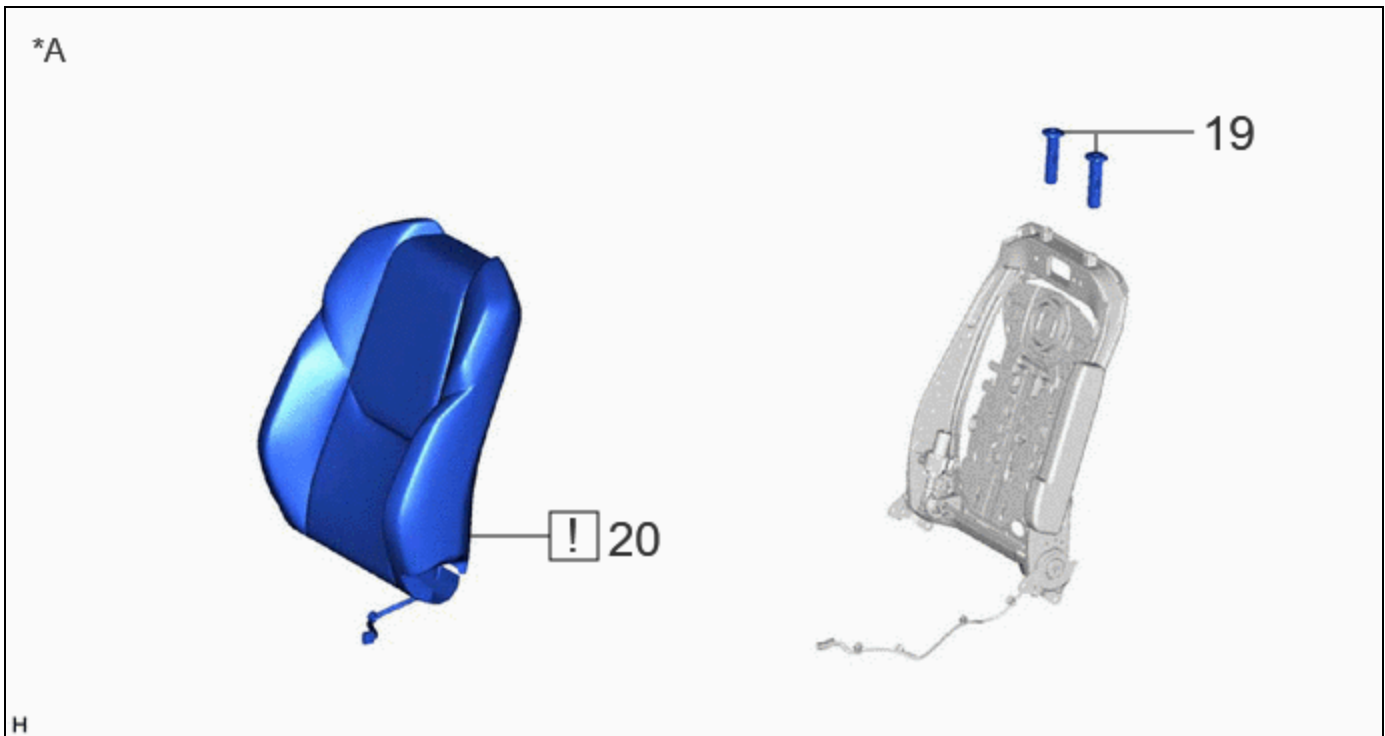
PROCEDURE		PART NAME CODE			
15	FRONT SEAT FRONT CUSHION SHIELD	71868N	INFO	-	-
16	FRONT SEAT CUSHION SHIELD	71812D	INFO	-	-
17	FRONT SEAT INNER CUSHION SHIELD	71862	INFO	-	-




*A	for Power Seat	-	-
----	----------------	---	---



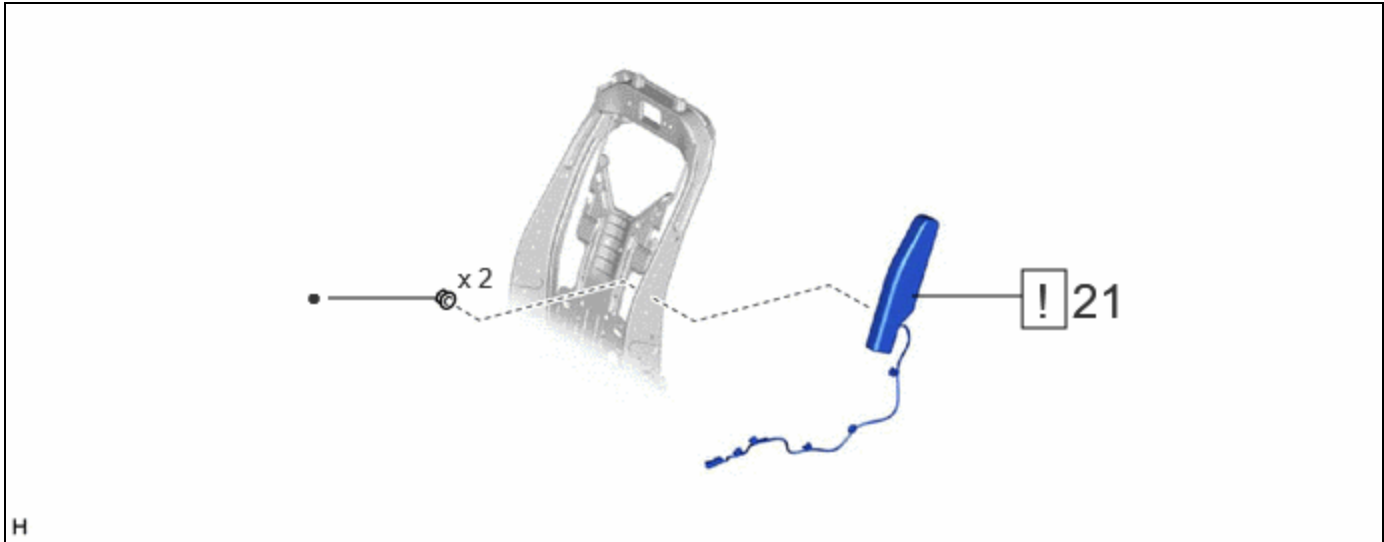
PROCEDURE		PART NAME CODE			
18	SEPARATE TYPE FRONT SEATBACK ASSEMBLY	-	-	-	-




*A	for Power Seat	-	-
*1	SEPARATE TYPE FRONT SEAT CUSHION ASSEMBLY	-	-



PROCEDURE		PART NAME CODE			
19	FRONT SEAT HEADREST SUPPORT	71931	-	-	-
20	SEPARATE TYPE FRONT SEATBACK COVER WITH PAD	-	INFO	-	-

*A	for Power Seat	-	-
----	----------------	---	---




PROCEDURE		PART NAME CODE			
21	FRONT SEAT AIRBAG ASSEMBLY	73920A	INFO	-	-

•	Non-reusable part	-	-
---	-------------------	---	---

PROCEDURE

1. PRECAUTION

	<p>NOTICE:</p> <p>After the ignition switch is turned off, there may be a waiting time before disconnecting the negative (-) auxiliary battery terminal.</p> <p>Click here INFO</p>
---	--


2. REMOVE FRONT SEAT ASSEMBLY (for Manual Seat)

Click here [INFO](#)


3. DISCONNECT SEPARATE TYPE FRONT SEATBACK COVER (for Manual Seat)

Click here [INFO](#)


4. REMOVE VERTICAL ADJUSTING HANDLE (for Manual Seat with Vertical Adjuster)Click here [INFO](#)**5. REMOVE RECLINING HINGE COVER (for Manual Seat)**Click here [INFO](#)**6. REMOVE RECLINING ADJUSTER RELEASE HANDLE (for Manual Seat)**Click here [INFO](#)**7. REMOVE SEAT ADJUSTER COVER CAP (for Manual Seat with Vertical Adjuster)**Click here [INFO](#)**8. REMOVE FRONT SEAT CUSHION SHIELD (for Manual Seat)**w/ Vertical Adjuster: Click here [INFO](#)w/o Vertical Adjuster: Click here [INFO](#)**9. REMOVE FRONT SEAT INNER CUSHION SHIELD (for Manual Seat)**w/ Vertical Adjuster: Click here [INFO](#)w/o Vertical Adjuster: Click here [INFO](#)**10. REMOVE SEPARATE TYPE FRONT SEATBACK ASSEMBLY (for Manual Seat)**Click here [INFO](#)**11. REMOVE FRONT SEAT HEADREST SUPPORT (for Manual Seat)**Click here [INFO](#)**12. REMOVE SEPARATE TYPE FRONT SEATBACK COVER WITH PAD (for Manual Seat)**Click here [INFO](#)**13. REMOVE FRONT SEAT ASSEMBLY (for Power Seat)**Click here [INFO](#)**14. DISCONNECT SEPARATE TYPE FRONT SEATBACK COVER (for Power Seat)**Click here [INFO](#)**15. REMOVE FRONT SEAT FRONT CUSHION SHIELD (for Power Seat)**

	Click here INFO
---	---------------------------------

16. REMOVE FRONT SEAT CUSHION SHIELD (for Power Seat)

	Click here INFO
---	---------------------------------

17. REMOVE FRONT SEAT INNER CUSHION SHIELD (for Power Seat)

	Click here INFO
---	---------------------------------


18. REMOVE SEPARATE TYPE FRONT SEATBACK ASSEMBLY (for Power Seat)

Click here [INFO](#)


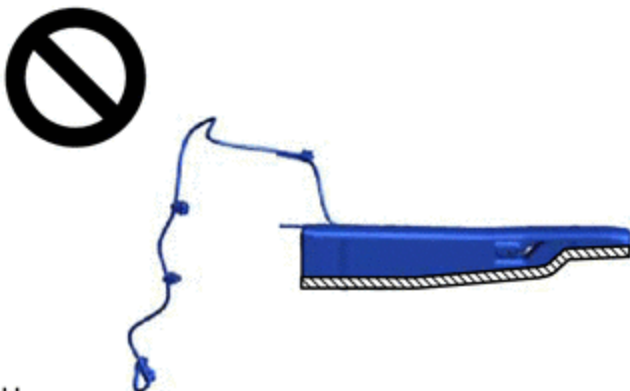
19. REMOVE FRONT SEAT HEADREST SUPPORT (for Power Seat)

Click here [INFO](#)

20. REMOVE SEPARATE TYPE FRONT SEATBACK COVER WITH PAD (for Power Seat)

	Click here INFO
---	---------------------------------

21. REMOVE FRONT SEAT AIRBAG ASSEMBLY

	<p>CAUTION: When storing the front seat airbag assembly, keep the airbag deployment side facing upward.</p>  <p>H</p>
---	---



- (1) Disengage the clamp.
- (2) Remove the 2 nuts and front seat airbag assembly.

NOTICE:

- Do not reuse the nuts.
- Make sure that the front seatback frame sub-assembly is not deformed. If it is deformed, replace it with a new one.

