

Last Modified: 12-04-2024	6.11:8.1.0	Doc ID: RM10000002BJM5
Model Year Start: 2023	Model: Prius Prime	Prod Date Range: [03/2023 -]
Title: SUPPLEMENTAL RESTRAINT SYSTEMS: CURTAIN SHIELD AIRBAG ASSEMBLY: REMOVAL; 2023 - 2024 MY Prius Prius Prime [03/2023 -]		

REMOVAL

CAUTION / NOTICE / HINT

The necessary procedures (adjustment, calibration, initialization or registration) that must be performed after parts are removed and installed, or replaced during curtain shield airbag assembly removal/installation are shown below.

Necessary Procedures After Parts Removed/Installed/Replaced

REPLACED PART OR PERFORMED PROCEDURE	NECESSARY PROCEDURE	EFFECT/INOPERATIVE FUNCTION WHEN NECESSARY PROCEDURE NOT PERFORMED	LINK
w/ Occupant Classification System: Front passenger seat*	Zero point calibration (Occupant classification system)	<ul style="list-style-type: none"> • Occupant Classification System • Passenger airbag ON/OFF indicator • Airbag System (Front passenger side) • Seat Belt Warning System (Front passenger) 	INFO
*: Even when not replacing the part, it is necessary to perform the specified necessary procedures after installation.			

CAUTION / NOTICE / HINT

HINT:

When the cable is disconnected / reconnected to the auxiliary battery terminal, systems temporarily stop operating. However, each system has a function that completes learning the first time the system is used.

Learning completes when vehicle is driven

EFFECT/INOPERATIVE FUNCTION WHEN NECESSARY PROCEDURE NOT PERFORMED	NECESSARY PROCEDURE	LINK
Front Camera System	Drive the vehicle straight ahead at 35 km/h (22 mph) or more for 5 seconds or more.	INFO

Learning completes when vehicle is operated normally

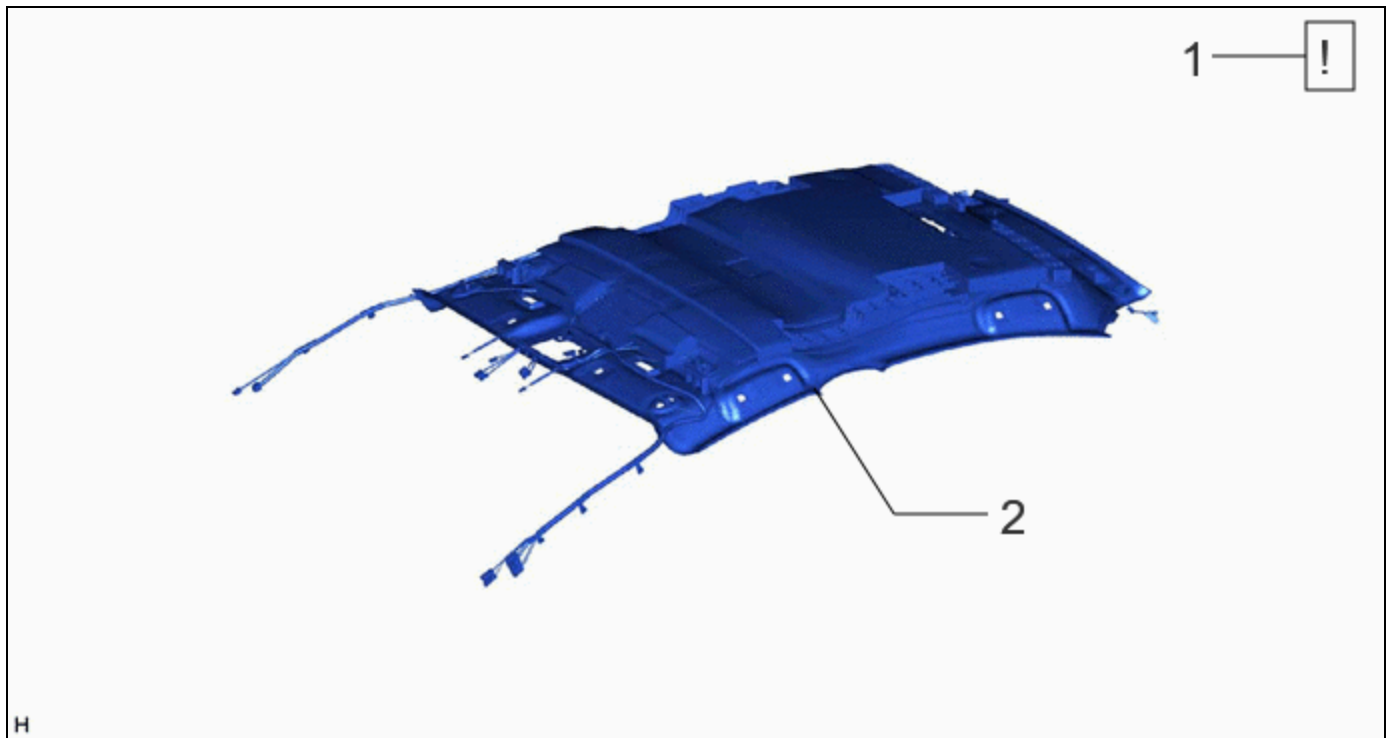
EFFECT/INOPERATIVE FUNCTION WHEN NECESSARY PROCEDURE NOT PERFORMED	NECESSARY PROCEDURE	LINK
Power Door Lock Control System*1 <ul style="list-style-type: none"> • Back door opener 	Perform door unlock operation with door control switch or electrical key transmitter sub-assembly switch.	INFO
Power Back Door System*2	Reset back door close position	INFO
*1: w/o Power Back Door System		
*2: w/ Power Back Door System		

EFFECT/INOPERATIVE FUNCTION WHEN NECESSARY PROCEDURE NOT PERFORMED	NECESSARY PROCEDURE	LINK
Air Conditioning System	<p>for HEV Model:</p> <p>After the ignition switch is turned to ON, the servo motor standard position is recognized.</p> <p>for PHEV Model:</p> <p>After the ignition switch is turned to ON, the servo motor and expansion valve standard position is recognized.</p>	-
<p>*1: w/o Power Back Door System</p> <p>*2: w/ Power Back Door System</p>		

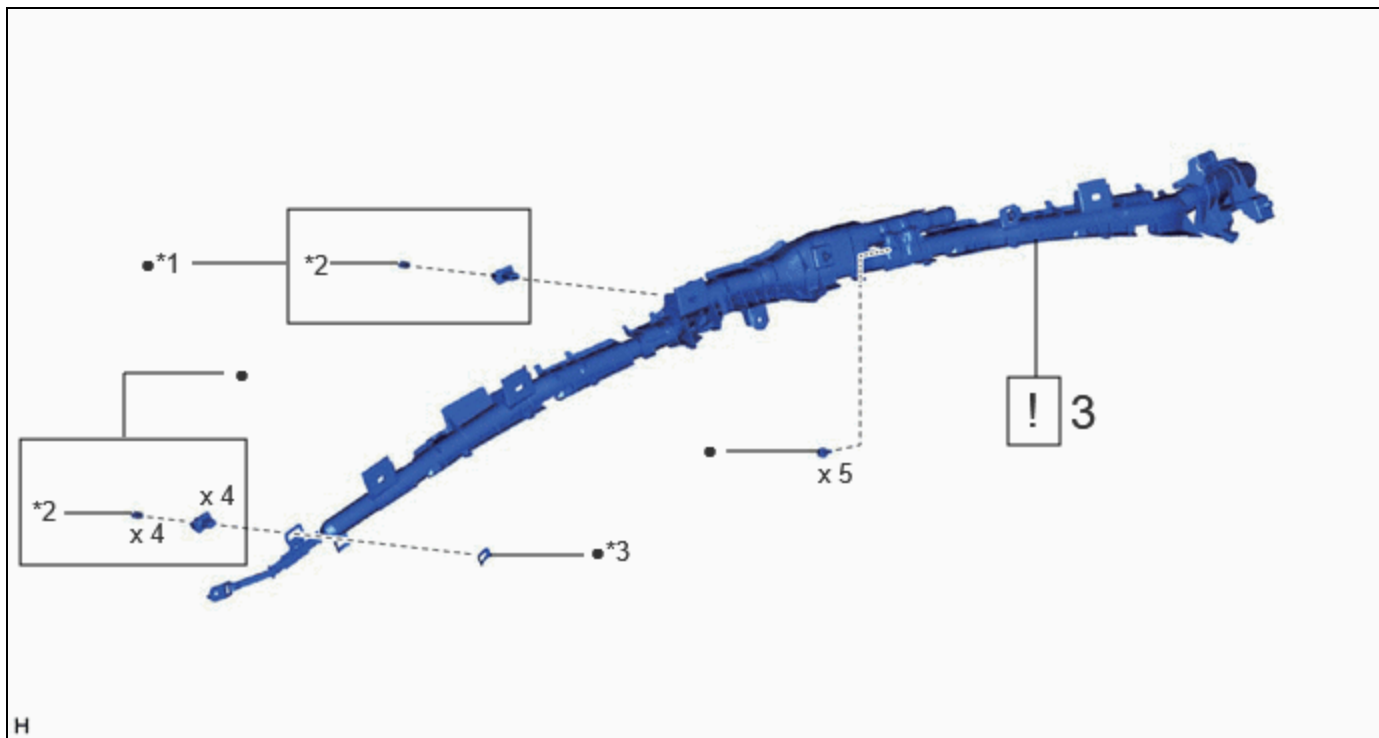
- Use the same procedure for the RH side and LH side.
- The following procedure is for the LH side.

CAUTION / NOTICE / HINT

COMPONENTS (REMOVAL)



	PROCEDURE	PART NAME CODE	!	📄	⚙️
1	PRECAUTION	-	INFO	-	-
2	ROOF HEADLINING ASSEMBLY	-	-	-	-



PROCEDURE		PART NAME CODE			
3	CURTAIN SHIELD AIRBAG ASSEMBLY	62180A	INFO	-	-

*1	ROOF SIDE INNER GARNISH CLIP	*2	PIN
*3	SPACER	-	-
•	Non-reusable part	-	-

PROCEDURE

1. PRECAUTION

CAUTION:
Be sure to read Precaution thoroughly before servicing.

Click here [INFO](#)

NOTICE:

After the ignition switch is turned off, there may be a waiting time before disconnecting the negative (-) auxiliary battery terminal.

Click here [INFO](#)

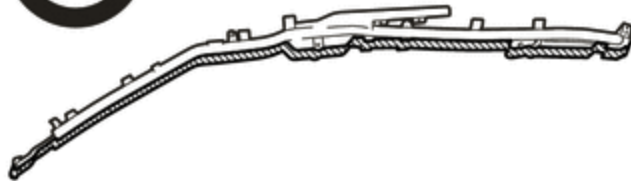
2. REMOVE ROOF HEADLINING ASSEMBLY

Click here [INFO](#)

3. REMOVE CURTAIN SHIELD AIRBAG ASSEMBLY

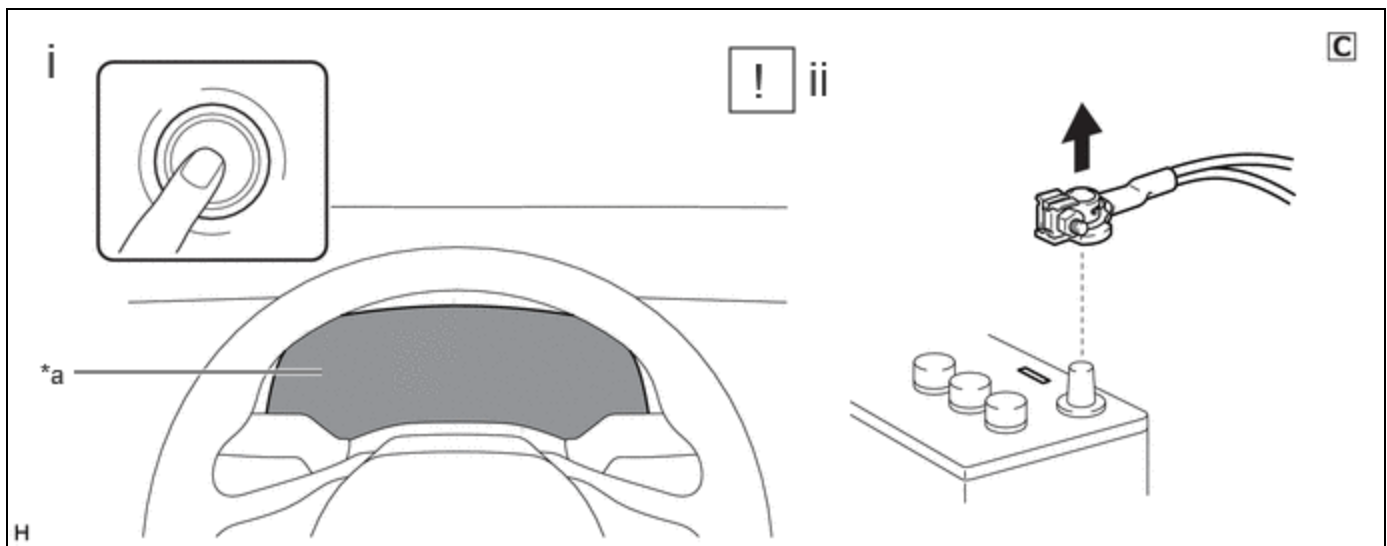
CAUTION:

When storing the curtain shield airbag assembly, keep the airbag deployment side facing upward.



NOTICE:

When removing the curtain shield airbag assembly, have assistants hold it to prevent it from bending.

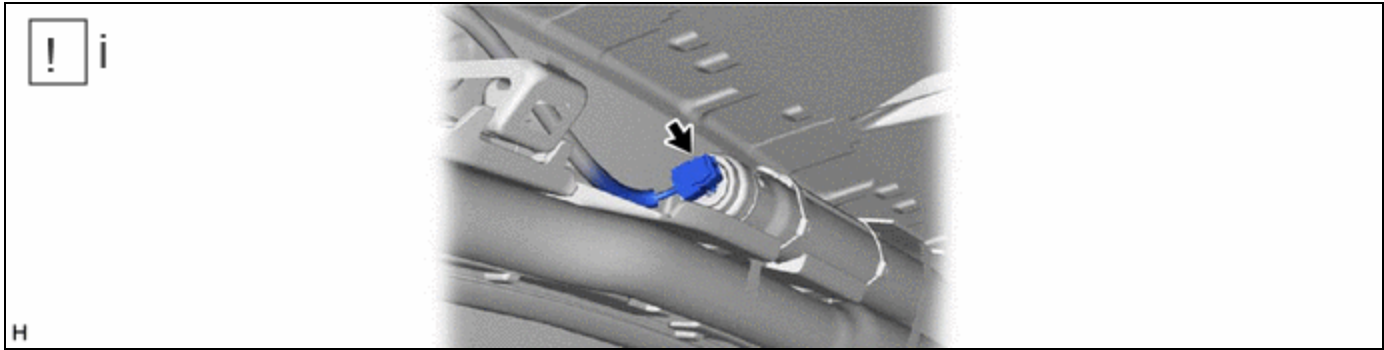


*a	Illumination off	-	-
----	------------------	---	---

- (1) Check that the ignition switch is off.
- (2) Check that the cable is disconnected from the negative (-) auxiliary battery terminal.

CAUTION:

Wait at least 60 seconds after disconnecting the cable from the negative (-) auxiliary battery terminal to disable the SRS system.



(1) Disconnect the airbag connector.

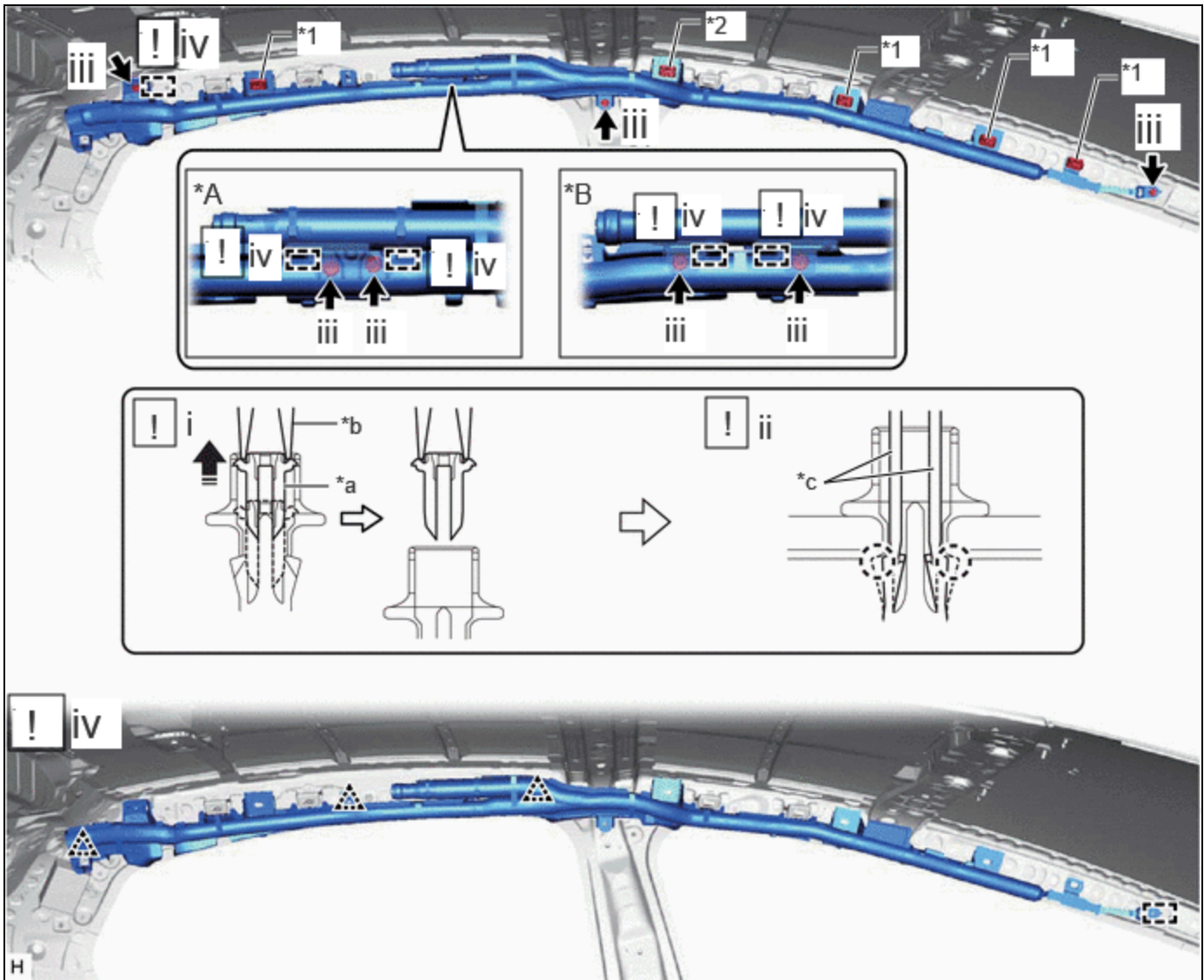
NOTICE:

When disconnecting any airbag connector, take care not to damage the airbag wire harness.

HINT:

Refer to How to Connect or Disconnect Airbag Connector.

Click here [INFO](#)



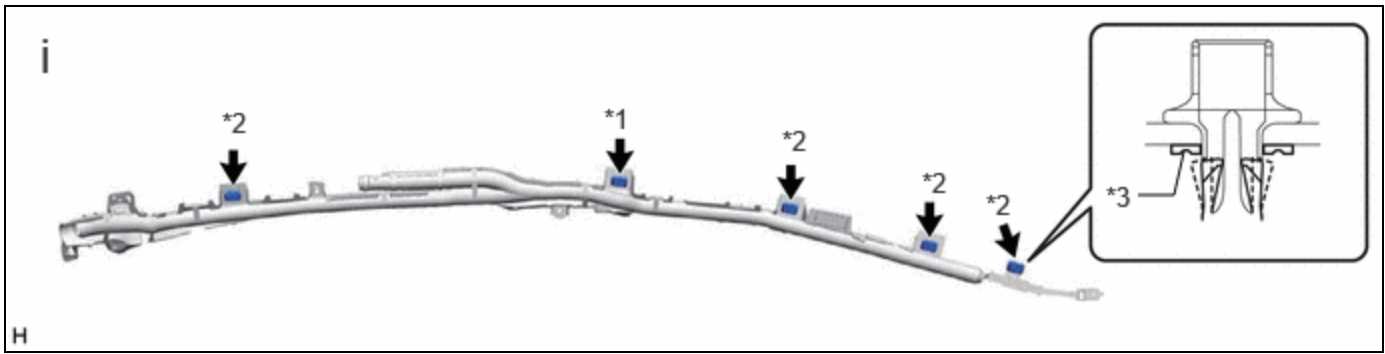
*A	w/o Occupant Classification System	*B	w/ Occupant Classification System
*1	Clip	*2	Roof Side Inner Garnish Clip
*a	Pin	*b	Needle-nose Pliers No. 2
*c	Thin Screwdriver	-	-
	Remove in this Direction	-	-

- (1) Using a needle-nose pliers No. 2 or equivalent, remove the 5 pins from the 4 clips and roof side inner garnish clip.
- (2) Using 2 thin screwdrivers, disengage the 2 claws of the 4 clips and roof side inner garnish clip, and separate the 4 clips and roof side inner garnish clip from the vehicle body as shown in the illustration.

HINT:

Separate the 4 clips, roof side inner garnish clip and curtain shield airbag assembly from the vehicle body as a unit.

- (3) Remove the 5 bolts.
- (4) While holding the curtain shield airbag assembly, disengage the 3 clips and 4 hooks to remove the curtain shield airbag assembly.



*1	Roof Side Inner Garnish Clip	*2	Clip
*3	Spacer	-	-

(1) Remove the 4 clips, roof side inner garnish clip and the spacer from the curtain shield airbag assembly.

