

Last Modified: 12-04-2024	6.11:8.1.0	Doc ID: RM100000028UWI
Model Year Start: 2023	Model: Prius Prime	Prod Date Range: [12/2022 -]
Title: SUPPLEMENTAL RESTRAINT SYSTEMS: AIRBAG SYSTEM: B009785; Right Side Restraints Sensor 2 Signal Above Allowable Range; 2023 - 2024 MY Prius Prius Prime [12/2022 -]		

DTC	B009785	Right Side Restraints Sensor 2 Signal Above Allowable Range
------------	----------------	--

DESCRIPTION

DTC NO.	DETECTION ITEM	DTC DETECTION CONDITION	TROUBLE AREA	WARNING INDICATE	DTC OUTPUT FROM	PRIORITY	TEST MODE / CHECK MODE
B009785	Right Side Restraints Sensor 2 Signal Above Allowable Range	<ul style="list-style-type: none"> Floor side airbag sensor RH malfunction Airbag ECU assembly malfunction 	<ul style="list-style-type: none"> Floor side airbag sensor RH Airbag ECU assembly 	Comes on	SRS Airbag	A	Does not apply to test/check mode

WIRING DIAGRAM

Click here [INFO](#)

CAUTION / NOTICE / HINT

NOTICE:

- After the ignition switch is turned off, there may be a waiting time before disconnecting the negative (-) auxiliary battery terminal.

Click here [INFO](#)

HINT:

When disconnecting and reconnecting the auxiliary battery, there is an automatic learning function that completes learning when the respective system is used.

Click here [INFO](#)

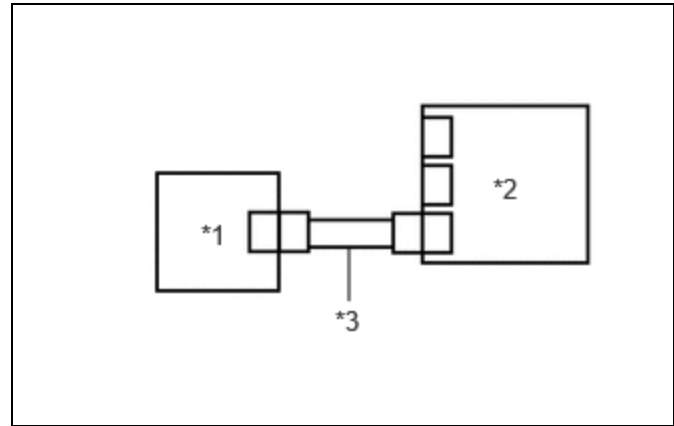
- After replacing the airbag ECU assembly, refer to work procedure.

Click here [INFO](#)

PROCEDURE

1.	CLEAR DTC
-----------	------------------

Pre-procedure1



*1	Floor Side Airbag Sensor LH
*2	Airbag ECU Assembly
*3	Wire Harness

(a) Turn the ignition switch off.

- (b) Disconnect the cable from the negative (-) auxiliary battery terminal, and wait for at least 60 seconds.
- (c) Interchange the floor side airbag sensor RH with LH and connect the connectors to them.
- (d) Connect the cable to the negative (-) auxiliary battery terminal, and wait for at least 2 seconds.
- (e) Turn the ignition switch to ON, and wait for at least 60 seconds.

Procedure1

(f) Clear the DTCs stored in memory.

Body Electrical > SRS Airbag > Clear DTCs

Post-procedure1

(g) Turn the ignition switch off.

NEXT



2. CHECK FLOOR SIDE AIRBAG SENSOR RH

Pre-procedure1

(a) Turn the ignition switch to ON, and wait for at least 60 seconds.

Procedure1

(b) Check for DTCs.

Body Electrical > SRS Airbag > Trouble Codes

RESULT	PROCEED TO
B009785 is output	A
B009285 is output	B
B009285 and B009785 are not output	C

HINT:

Codes other than DTCs B009285 and B009785 may be output at this time, but they are not related to this check.

Post-procedure1

- (c) Turn the ignition switch off.
- (d) Disconnect the cable from the negative (-) auxiliary battery terminal, and wait for at least 60 seconds.
- (e) Return the floor side airbag sensor LH and RH to their original positions and connect the connectors to them.

A ► REPLACE AIRBAG ECU ASSEMBLY INFO

B ► REPLACE FLOOR SIDE AIRBAG SENSOR RH INFO

C ► USE SIMULATION METHOD TO CHECK

