

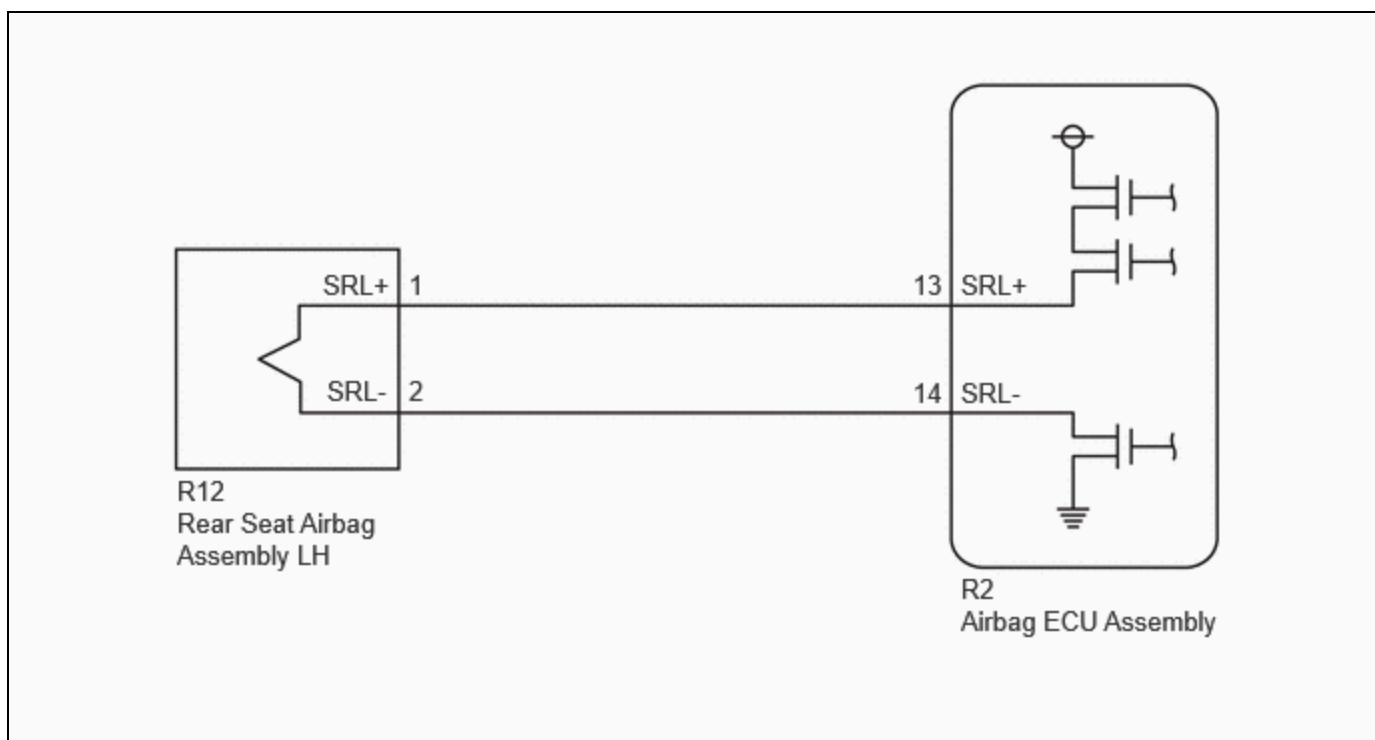
<b>Last Modified:</b> 12-04-2024	6.11:8.1.0	<b>Doc ID:</b> RM100000028UYC
<b>Model Year Start:</b> 2023	<b>Model:</b> Prius Prime	<b>Prod Date Range:</b> [12/2022 - ]
<b>Title:</b> SUPPLEMENTAL RESTRAINT SYSTEMS: AIRBAG SYSTEM: B00301A; Second Row Left Side Airbag Deployment Control Circuit Resistance Below Threshold; 2023 - 2024 MY Prius Prius Prime [12/2022 - ]		

<b>DTC</b>	<b>B00301A</b>	<b>Second Row Left Side Airbag Deployment Control Circuit Resistance Below Threshold</b>
------------	----------------	--

## DESCRIPTION

DTC NO.	DETECTION ITEM	DTC DETECTION CONDITION	TROUBLE AREA	WARNING INDICATE	DTC OUTPUT FROM	PRIORITY	TEST MODE / CHECK MODE
B00301A	Second Row Left Side Airbag Deployment Control Circuit Resistance Below Threshold	<ul style="list-style-type: none"> <li>The airbag ECU assembly detects a line short in the rear side squib LH circuit for 2 seconds during the primary check.</li> <li>Rear seat airbag assembly LH malfunction</li> <li>Airbag ECU assembly malfunction</li> </ul>	<ul style="list-style-type: none"> <li>Harness or connector</li> <li>Rear seat airbag assembly LH</li> <li>Airbag ECU assembly</li> </ul>	Comes on	SRS Airbag	A	Applies to check mode

## WIRING DIAGRAM



## CAUTION / NOTICE / HINT

### NOTICE:

- After the ignition switch is turned off, there may be a waiting time before disconnecting the negative (-) auxiliary battery terminal.

[Click here](#) **INFO**

### HINT:

When disconnecting and reconnecting the auxiliary battery, there is an automatic learning function that completes learning when the respective system is used.

[Click here](#) **INFO**

- After replacing the airbag ECU assembly, refer to work procedure.

[Click here](#) **INFO**

### HINT:

- To perform the simulation method, enter check mode (signal check) with the GTS.

[Click here](#) **INFO**

- Perform the simulation method while checking the Data List.

[Click here](#) **INFO**

## PROCEDURE

<b>1.</b>	<b>CLEAR DTC</b>
-----------	------------------

Pre-procedure1

(a) Turn the ignition switch to ON, and wait for at least 60 seconds.

Procedure1

(b) Clear the DTCs stored in memory.

**Body Electrical > SRS Airbag > Clear DTCs**

Post-procedure1

(c) Turn the ignition switch off.

**NEXT**



<b>2.</b>	<b>CHECK DTC</b>
-----------	------------------

Pre-procedure1

(a) Turn the ignition switch to ON, and wait for at least 60 seconds.

Procedure1

(b) Check for DTCs.

**Body Electrical > SRS Airbag > Trouble Codes**

RESULT	PROCEED TO
B00301A is output	A
B00301A is not output	B

Post-procedure1

(c) None

**B** **USE SIMULATION METHOD TO CHECK**

**A**



<b>3.</b>	<b>CHECK CONNECTION OF CONNECTORS</b>
-----------	---------------------------------------

Pre-procedure1

(a) Turn the ignition switch off.

(b) Disconnect the cable from the negative (-) auxiliary battery terminal, and wait for at least 60 seconds.

Procedure1

(c) Check that the connectors are properly connected to the rear seat airbag assembly LH and airbag ECU assembly.

OK:

The connectors are properly connected.

Post-procedure1

(d) None

**NG**  **CONNECT CONNECTORS PROPERLY**

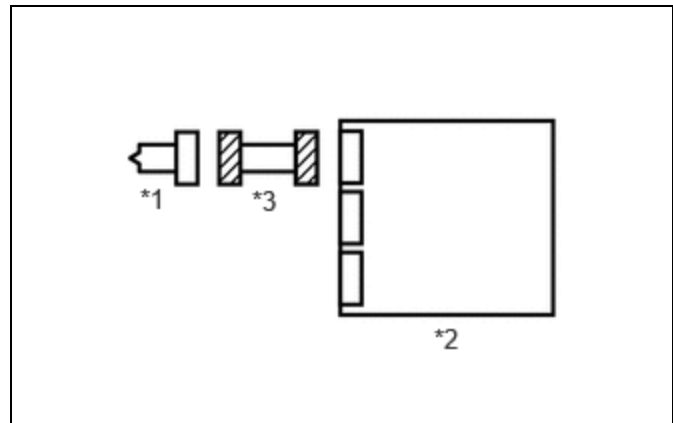
**OK**



<b>4.</b>	<b>CHECK CONNECTORS</b>
-----------	-------------------------

Pre-procedure1

(a) Disconnect the airbag ECU assembly connector.



*1	Rear Seat Airbag Assembly LH
*2	Airbag ECU Assembly
*3	Wire Harness

(b) Disconnect the rear seat airbag assembly LH connector.

Procedure1

(c) Check that the terminals of the connectors are not deformed or damaged.

OK:

The terminals are not deformed or damaged.

(d) Check that the connectors are not loose, deformed or damaged.

OK:

The connector locking button is not disengaged, and the claw of the lock is not deformed or damaged.

Post-procedure1

(e) None

**NG**  **REPAIR OR REPLACE HARNESS OR CONNECTOR**

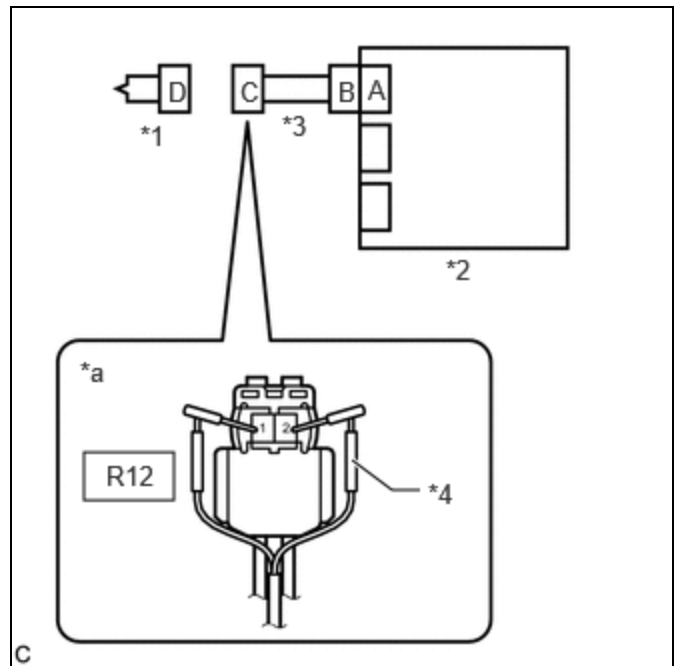
**OK**



<b>5.</b>	<b>CLEAR DTC</b>
-----------	------------------

Pre-procedure1

(a) Connect the airbag ECU assembly connector.



*1	Rear Seat Airbag Assembly LH
*2	Airbag ECU Assembly
*3	Wire Harness
*4	SST
*a	Front view of wire harness connector (to Rear Seat Airbag Assembly LH)

(b) Connect SST (resistance: 2.1 Ω) to connector C.

**CAUTION:**

Never connect the tester to the rear seat airbag assembly LH for measurement, as this may lead to a serious injury due to airbag deployment.

**NOTICE:**

- Do not forcibly insert SST into the terminals of the connector when connecting SST.
- Insert SST straight into the terminals of the connector.

**SST: 09843-18061**

(c) Connect the cable to the negative (-) auxiliary battery terminal, and wait for at least 2 seconds.

(d) Turn the ignition switch to ON, and wait for at least 60 seconds.

Procedure1

(e) Clear the DTCs stored in memory.

**Body Electrical > SRS Airbag > Clear DTCs**

Post-procedure1

(f) Turn the ignition switch off.

**NEXT**

<b>6.</b>	<b>CHECK REAR SEAT AIRBAG ASSEMBLY LH</b>
-----------	---

Pre-procedure1

(a) Turn the ignition switch to ON, and wait for at least 60 seconds.

Procedure1

(b) Check for DTCs.

**Body Electrical > SRS Airbag > Trouble Codes**

RESULT	PROCEED TO
B00301A is not output	A
B00301A is output	B

**HINT:**

Codes other than DTC B00301A may be output at this time, but they are not related to this check.

Post-procedure1

(c) Turn the ignition switch off.

(d) Disconnect the cable from the negative (-) auxiliary battery terminal, and wait for at least 60 seconds.

(e) Disconnect SST from connector C.

**A** **REPLACE REAR SEAT AIRBAG ASSEMBLY LH**

**B**



**7. CHECK HARNESS AND CONNECTOR**

Pre-procedure1

(a) Disconnect the airbag ECU assembly connector.

Procedure1

(b) Measure the resistance according to the value(s) in the table below.

Standard Resistance:



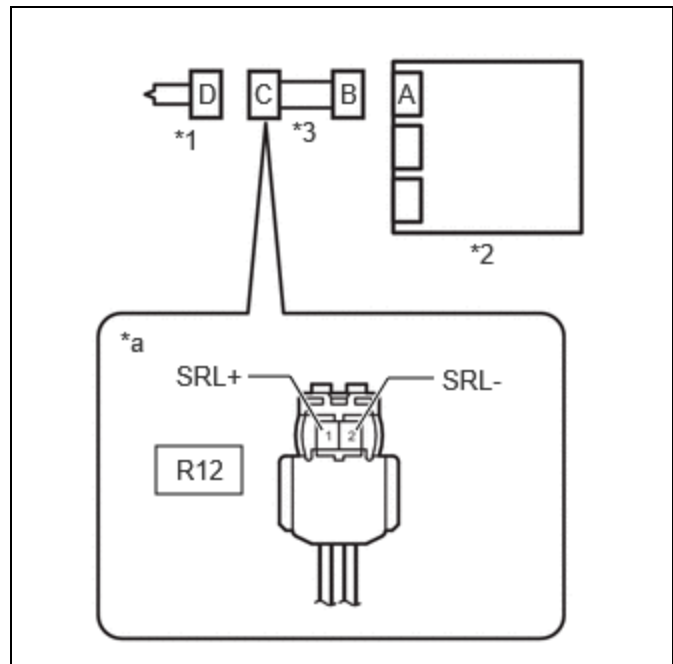
[Click Location & Routing\(R12\)](#)

[Click Connector\(R12\)](#)

TESTER CONNECTION	CONDITION	SPECIFIED CONDITION	RESULT
R12-1 (SRL+) - R12-2 (SRL-)	Always	1 MΩ or higher	MΩ

Result:

PROCEED TO
OK
NG



*1	Rear Seat Airbag Assembly LH
*2	Airbag ECU Assembly
*3	Wire Harness
*a	Front view of wire harness connector (to Rear Seat Airbag Assembly LH)

Post-procedure1

(c) None

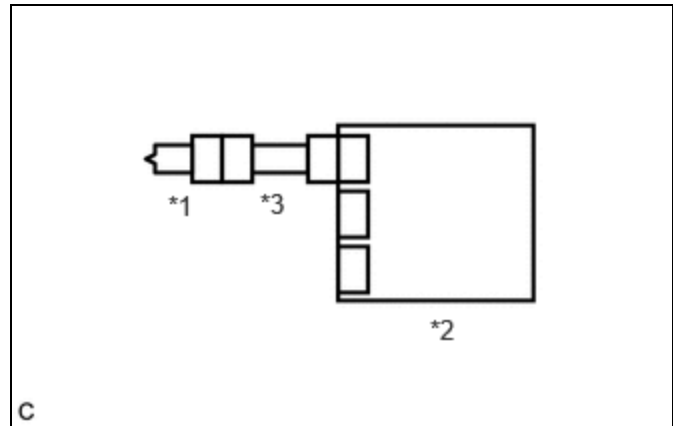
**NG** **REPAIR OR REPLACE HARNESS OR CONNECTOR**

**OK**



## 8. CLEAR DTC

Pre-procedure1



C

*1	Rear Seat Airbag Assembly LH
*2	Airbag ECU Assembly
*3	Wire Harness

(a) Connect the airbag ECU assembly connector.

(b) Connect the rear seat airbag assembly LH connector.

(c) Connect the cable to the negative (-) auxiliary battery terminal, and wait for at least 2 seconds.

(d) Turn the ignition switch to ON, and wait for at least 60 seconds.

Procedure1

(e) Clear the DTCs stored in memory.

**Body Electrical > SRS Airbag > Clear DTCs**

Post-procedure1

(f) Turn the ignition switch off.

**NEXT**



## 9. CHECK DTC

Pre-procedure1

(a) Turn the ignition switch to ON, and wait for at least 60 seconds.

Procedure1

(b) Check for DTCs.



**Body Electrical > SRS Airbag > Trouble Codes**

RESULT	PROCEED TO
B00301A is not output	A
B00301A is output	B

**HINT:**

Codes other than DTC B00301A may be output at this time, but they are not related to this check.

Post-procedure1

(c) None

**A** ► **USE SIMULATION METHOD TO CHECK**

**B** ► **REPLACE AIRBAG ECU ASSEMBLY** **INFO**

