

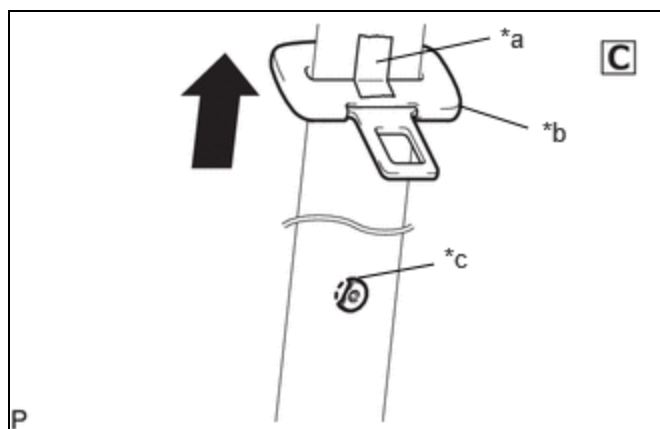
Last Modified: 12-04-2024	6.11:8.1.0	Doc ID: RM1000000029ZOW
Model Year Start: 2023	Model: Prius Prime	Prod Date Range: [12/2022 -]
Title: SEAT BELT: TONGUE PLATE STOPPER: REPLACEMENT; 2023 - 2024 MY Prius Prius Prime [12/2022 -]		

REPLACEMENT

PROCEDURE

1. REMOVE TONGUE PLATE STOPPER

- (a) Slide the tongue plate above the installation position of the tongue plate stopper, and temporarily hold it with adhesive tape.



*a	Adhesive Tape
*b	Tongue Plate
*c	Broken Tongue Plate Stopper

- (b) Remove any pieces of the original tongue plate stopper in the belt webbing with a pair of pliers.

NOTICE:

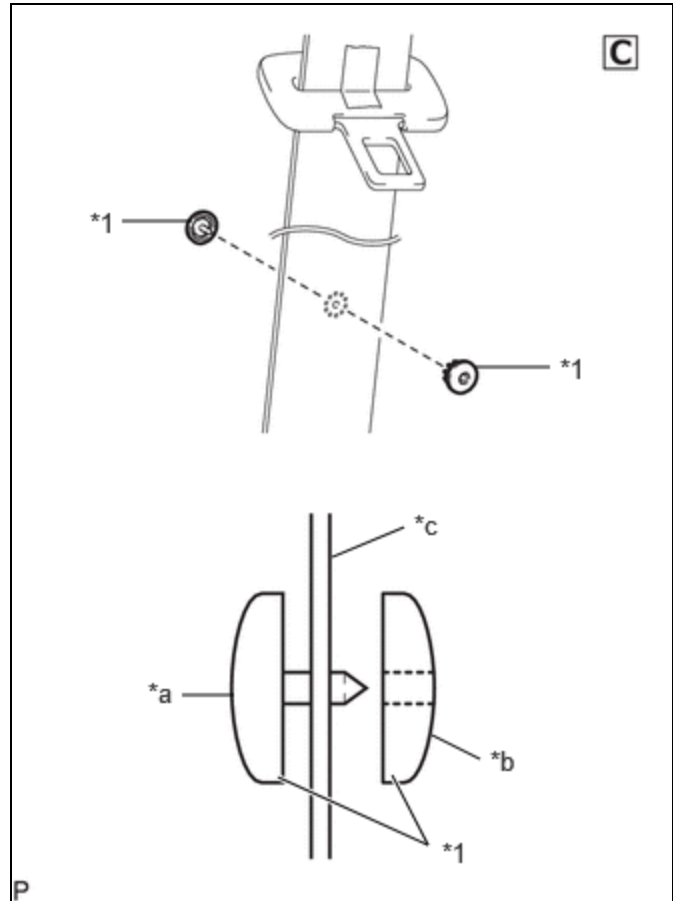
Be careful not to damage the belt webbing during repair.

2. INSTALL TONGUE PLATE STOPPER

- (a) Position a new tongue plate stopper in the hole of the belt webbing.

HINT:

Make sure that the installation direction of the tongue plate stopper is as shown in the illustration.



*1	Tongue Plate Stopper
*a	Male
*b	Female
*c	Belt Webbing

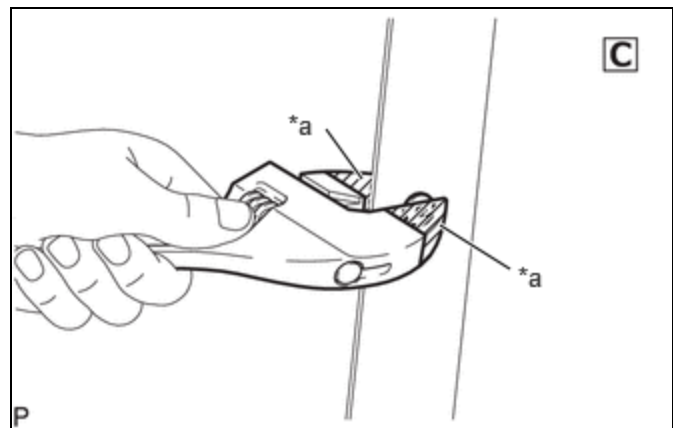
(b) Hold the tongue plate stopper in the hole of the belt webbing using an adjustable wrench, and turn the adjustment screw of the adjustable wrench by hand to compress the tongue plate stopper.

NOTICE:

- When using the adjustable wrench, make sure to position the male and female parts of the tongue plate stopper parallel to each other.
- Do not use pliers to compress the pin of the tongue plate stopper. They may damage the tongue plate stopper and belt webbing.

HINT:

Tape the jaws of the adjustable wrench before use.



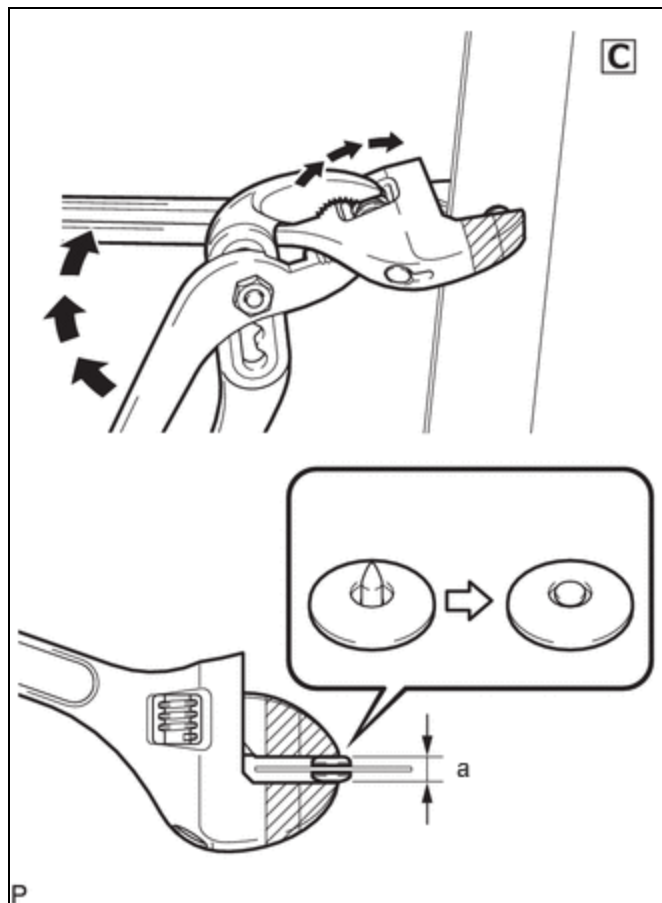
*a	Protective Tape
----	-----------------

(c) When the adjustment screw of the adjustable wrench can no longer be turned by hand, tighten

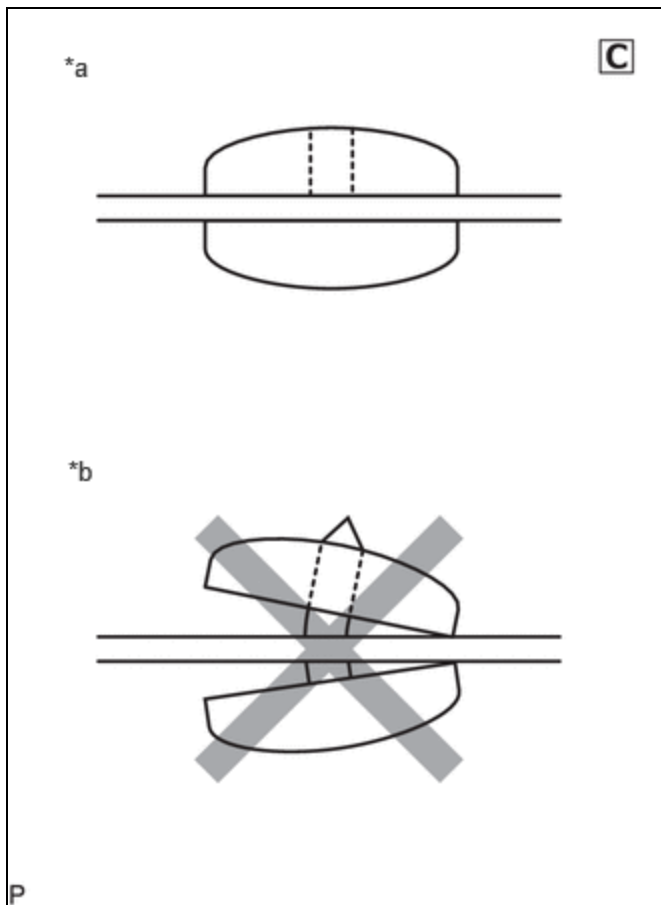
the adjustment screw using a pair of adjustable joint pliers until the tongue plate stopper thickness is 4.5 to 5.0 mm (0.177 to 0.197 in.). (Refer to the illustrations.)

Standard Clearance

AREA	MEASUREMENT
a	4.5 to 5.0 mm (0.177 to 0.197 in.)



- (d) Make sure that the pin of male side of the tongue plate stopper has expanded evenly in the hole of the female part and is firmly held to the belt webbing. (Refer to the illustrations.)



*a	Correct
*b	Incorrect

