

| | | |
|---|---------------------------|--------------------------------------|
| Last Modified: 12-04-2024 | 6.11:8.1.0 | Doc ID: RM1000000029ZOS |
| Model Year Start: 2023 | Model: Prius Prime | Prod Date Range: [12/2022 -] |
| Title: SEAT BELT: REAR CENTER SEAT OUTER BELT ASSEMBLY: REMOVAL; 2023 - 2024 MY Prius Prius Prime [12/2022 -] | | |

REMOVAL

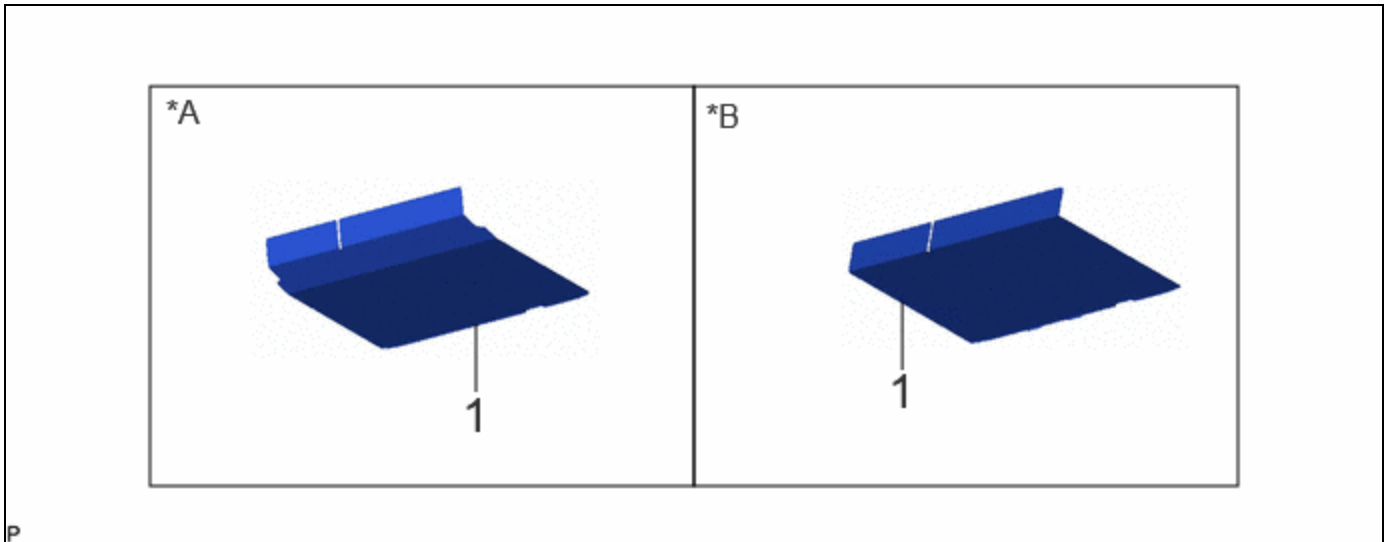
CAUTION / NOTICE / HINT

CAUTION:

Wear protective gloves. Sharp areas on the parts may injure your hands.

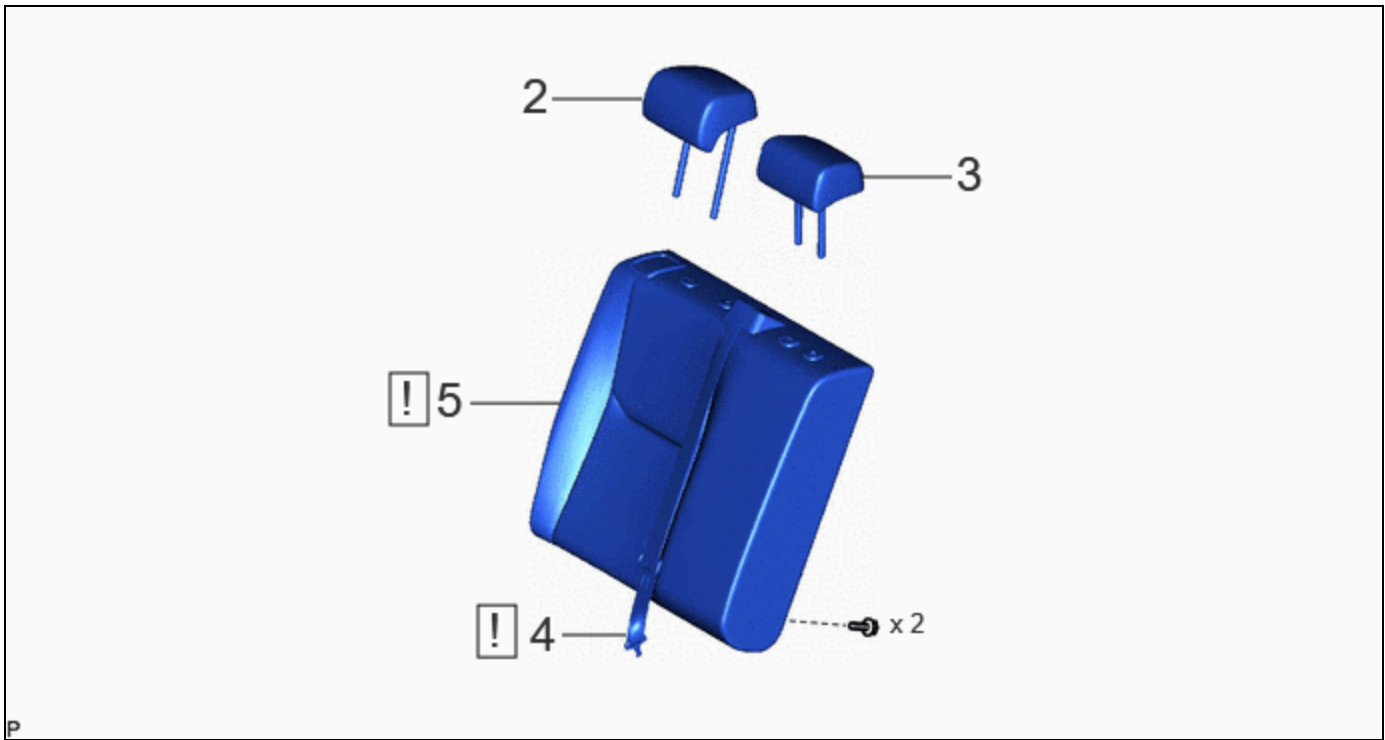
CAUTION / NOTICE / HINT




COMPONENTS (REMOVAL)

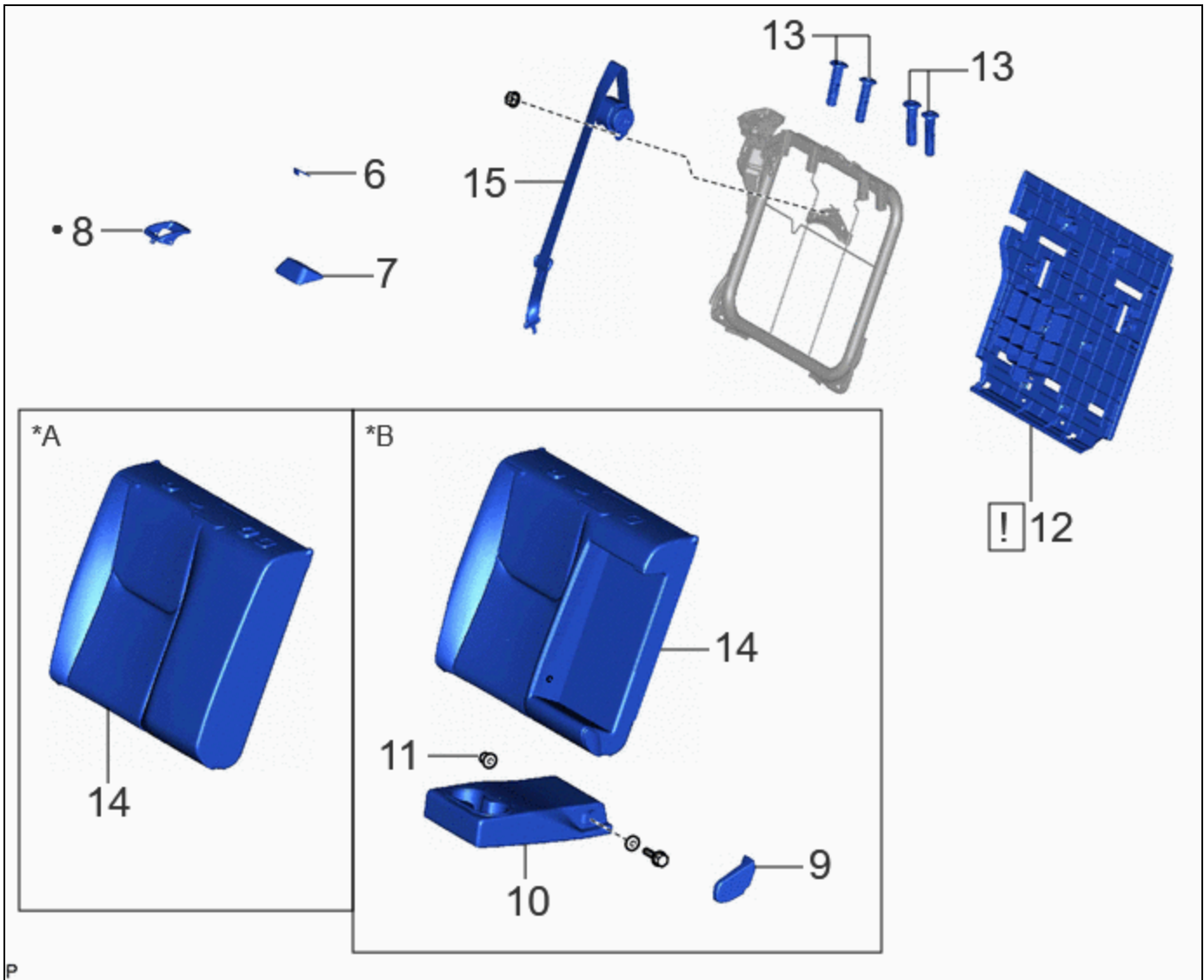


| | PROCEDURE | PART NAME CODE | | | |
|---|---------------------|----------------|---|---|---|
| 1 | DECK BOARD ASSEMBLY | 58410B | - | - | - |

| | | | |
|----|------------|----|------------|
| *A | for Type A | *B | for Type B |
|----|------------|----|------------|



| | PROCEDURE | PART NAME CODE |  |  |  |
|---|--------------------------------------|----------------|---|---|---|
| 2 | REAR SEAT HEADREST ASSEMBLY | 71940A | - | - | - |
| 3 | REAR SEAT CENTER HEADREST ASSEMBLY | 71960B | - | - | - |
| 4 | REAR CENTER SEAT OUTER BELT ASSEMBLY | 73350C | INFO | - | - |
| 5 | REAR SEATBACK ASSEMBLY RH | - | INFO | - | - |



| PROCEDURE | | PART NAME CODE | | | |
|-----------|--|----------------|----------------------|---|---|
| 6 | SEAT BELT ANCHOR COVER CAP | 73178A | - | - | - |
| 7 | REAR SEAT SHOULDER BELT COVER | 73373 | - | - | - |
| 8 | REAR SEATBACK UPPER LOCK BEZEL | 72667 | - | - | - |
| 9 | CENTER ARMREST HINGE COVER | 72868B | - | - | - |
| 10 | REAR SEAT CENTER ARMREST ASSEMBLY | 72830 | - | - | - |
| 11 | REAR SEAT ARMREST HINGE SHIM | 72839 | - | - | - |
| 12 | REAR SEATBACK BOARD SUB-ASSEMBLY RH | 71701C | INFO | - | - |
| 13 | REAR SEAT HEADREST SUPPORT | 71931A | - | - | - |
| 14 | SEPARATE TYPE REAR SEATBACK COVER WITH PAD | - | - | - | - |
| 15 | REAR CENTER SEAT OUTER BELT ASSEMBLY | 73350C | - | - | - |

| | | | |
|----|-------------|----|------------|
| *A | w/o Armrest | *B | w/ Armrest |
|----|-------------|----|------------|

| | | | |
|---|-------------------|---|---|
| • | Non-reusable part | - | - |
|---|-------------------|---|---|

PROCEDURE

1. REMOVE DECK BOARD ASSEMBLY

Click here [INFO](#)

2. REMOVE REAR SEAT HEADREST ASSEMBLY

Click here [INFO](#)

3. REMOVE REAR SEAT CENTER HEADREST ASSEMBLY

Click here [INFO](#)

4. DISCONNECT REAR CENTER SEAT OUTER BELT ASSEMBLY

| | |
|---|---------------------------------|
|  | Click here INFO |
|---|---------------------------------|

5. REMOVE REAR SEATBACK ASSEMBLY RH

| | |
|--|---------------------------------|
|  | Click here INFO |
|--|---------------------------------|

6. REMOVE SEAT BELT ANCHOR COVER CAP

Click here [INFO](#)

7. REMOVE REAR SEAT SHOULDER BELT COVER

Click here [INFO](#)

8. REMOVE REAR SEATBACK UPPER LOCK BEZEL

Click here [INFO](#)

9. REMOVE CENTER ARMREST HINGE COVER (w/ Armrest)

Click here [INFO](#)

10. REMOVE REAR SEAT CENTER ARMREST ASSEMBLY (w/ Armrest)

Click here [INFO](#)

11. REMOVE REAR SEAT ARMREST HINGE SHIM (w/ Armrest)

Click here [INFO](#)

12. REMOVE REAR SEATBACK BOARD SUB-ASSEMBLY RH



Click here [INFO](#)

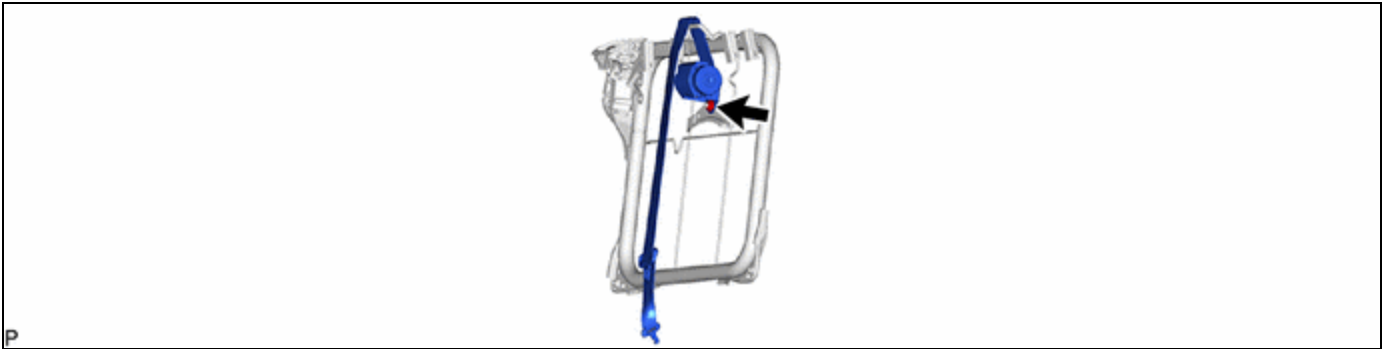
13. REMOVE REAR SEAT HEADREST SUPPORT

Click here [INFO](#)

14. REMOVE SEPARATE TYPE REAR SEATBACK COVER WITH PAD

Click here [INFO](#)

15. REMOVE REAR CENTER SEAT OUTER BELT ASSEMBLY



P

