

Last Modified: 12-04-2024	6.11:8.1.0	Doc ID: RM1000000029ZOF
Model Year Start: 2023	Model: Prius Prime	Prod Date Range: [12/2022 -]
Title: SEAT BELT: FRONT SEAT OUTER BELT ASSEMBLY: DISPOSAL; 2023 - 2024 MY Prius Prius Prime [12/2022 -]		

DISPOSAL

CAUTION / NOTICE / HINT

CAUTION:

Before performing pre-disposal deployment of any SRS part, review and closely follow all applicable environmental and hazardous material regulations. Pre-disposal deployment may be considered hazardous material treatment.

PROCEDURE

1. PRECAUTION

CAUTION:

- Use gloves and safety glasses when handling a front seat outer belt assembly with a deployed pretensioner.
- Always wash your hands with water after completing the operation.
- Do not apply water, etc. to a front seat outer belt assembly with a deployed pretensioner.
- When deploying a seat belt pretensioner, always use the specified SST (SRS airbag deployment tool). Perform the operation in a place away from electrical noise.
- Never dispose of a front seat outer belt assembly with a pretensioner that has not been deployed.
- The front seat outer belt assembly produces an exploding sound when the pretensioner is deployed, so perform the operation outdoors where it will not disturb nearby residents.
- When deploying a seat belt pretensioner, perform the operation at least 10 m (32.8 ft.) away from the vehicle.

HINT:

When scrapping a vehicle equipped with a seat belt pretensioner or disposing of a front seat outer belt assembly with a seat belt pretensioner, always deploy the seat belt pretensioner first in accordance with the procedure described below. If any abnormality occurs during deployment of the seat belt pretensioner, contact the SERVICE DEPARTMENT of the distributor.

2. DISPOSE OF FRONT SEAT OUTER BELT ASSEMBLY (When Installed to Vehicle)

NOTICE:

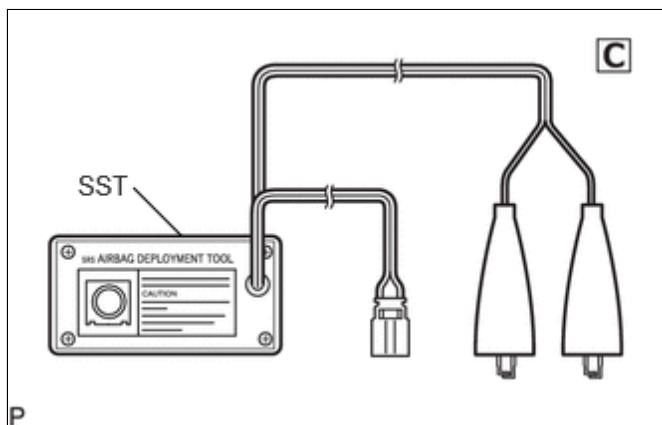
- When disposing of a front seat outer belt assembly with a pretensioner, never deploy the pretensioner in the customer's vehicle.
- Be sure to observe the following procedure when deploying a seat belt pretensioner.

HINT:

Prepare an auxiliary battery as the power source to deploy the seat belt pretensioner.

(a) Check the function of SST.

SST: 09082-00700

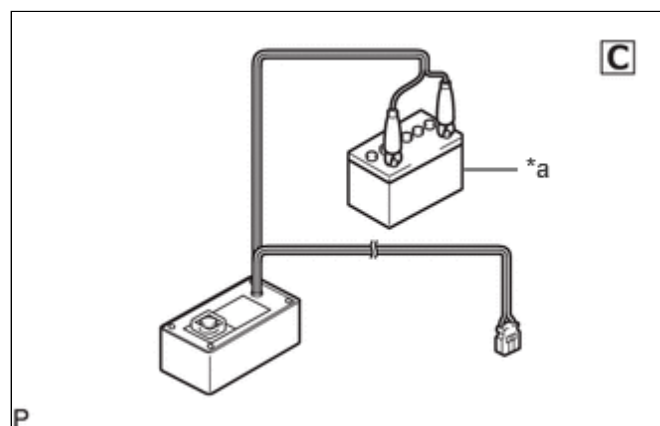
**CAUTION:**

When deploying a seat belt pretensioner, always use the specified SST.

- (1) Connect the red clip of SST to the positive (+) auxiliary battery terminal and the black clip to the negative (-) auxiliary battery terminal.

HINT:

At this time, do not connect the yellow connector. It will be connected to the seat belt pretensioner in a later step.

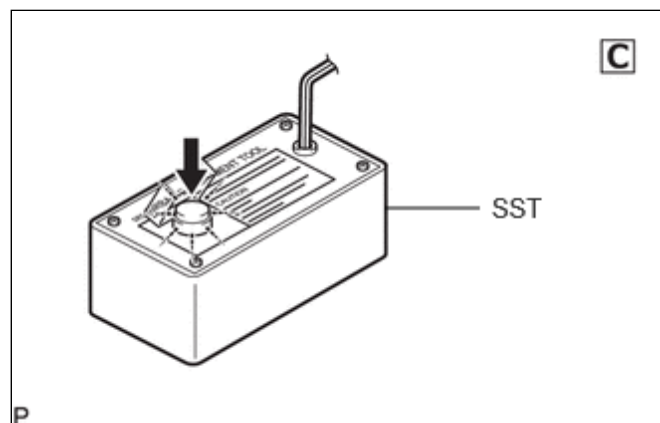


*a Auxiliary Battery

- (2) Press the SST activation switch and check that the LED of the SST activation switch illuminates.

CAUTION:

If the LED is illuminated when the SST activation switch is not pressed, SST may be malfunctioning. In this case, do not use the malfunctioning SST.



- (b) Refer to Precaution.

Click here [INFO](#)

- (c) Remove the battery service hole cover assembly (for M20A-FXS).

Click here [INFO](#)

(d) Disconnect the cable from the negative (-) auxiliary battery terminal.

1. for M20A-FXS:

Click here [INFO](#)

2. for 2ZR-FXE:

Click here [INFO](#)

CAUTION:

Wait at least 60 seconds after disconnecting the cable from the negative (-) auxiliary battery terminal to disable the SRS system.

(e) Disconnect the seat belt pretensioner connector.

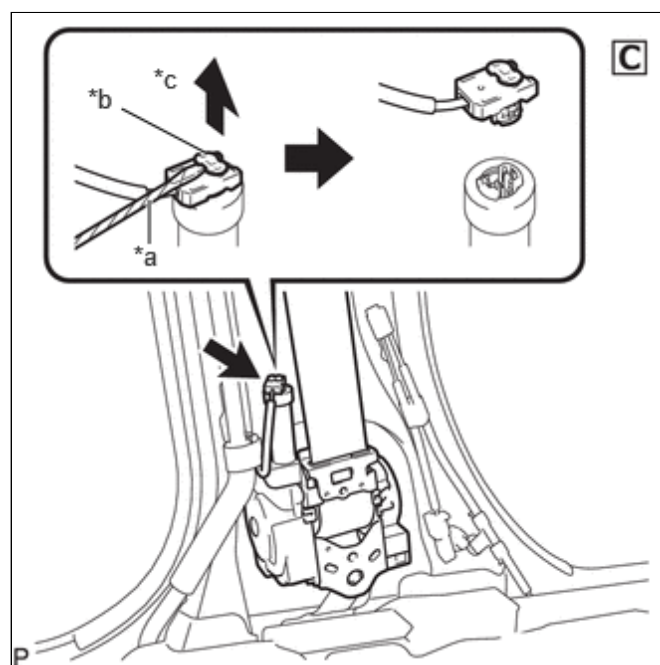
(1) Remove the center pillar lower garnish.

Click here [INFO](#)

(2) Using a screwdriver, pull out the locking button as shown in the illustration to release the lock and disconnect the pretensioner connector.

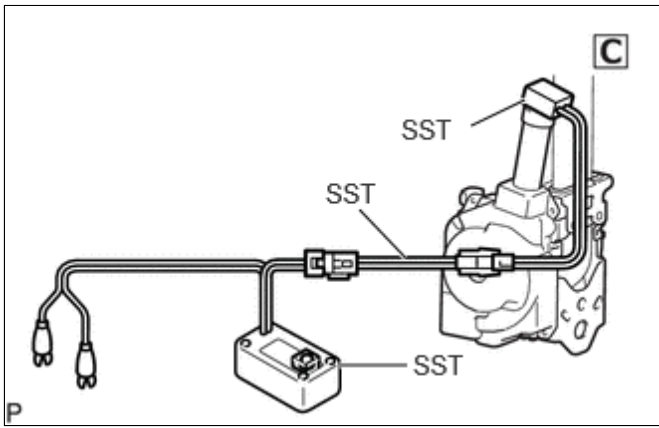
HINT:

Tape the screwdriver tip before use.



*a	Protective Tape
*b	Locking Button
*c	Release

(f) Connect SST.



(1) After connecting the following SST to each other, connect them to the seat belt pretensioner.

SST: 09082-00700

SST: 09082-00802

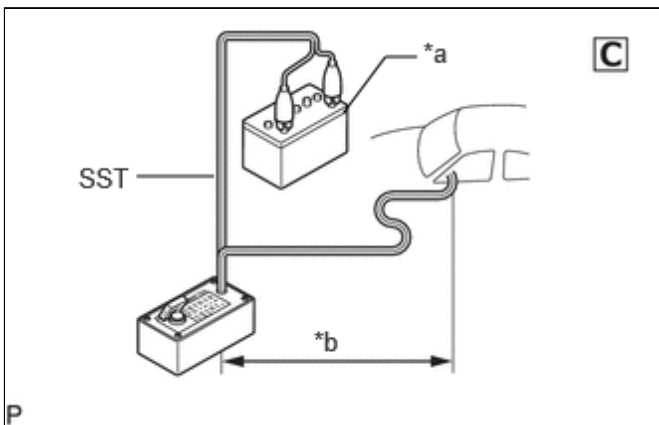
09082-10801

09082-20801

NOTICE:

To avoid damaging the SST connector or wire harness, do not lock the secondary lock of the pretensioner connector.

(2) Move SST at least 10 m (32.8 ft.) away from the front of the vehicle.



*a	Auxiliary Battery
*b	10 m (32.8 ft.) or more

CAUTION:

- Do not perform deployment with any of the doors or windows open.



- If deployment is performed with any of the doors or windows open, dust and gas may enter the eyes or be breathed in.

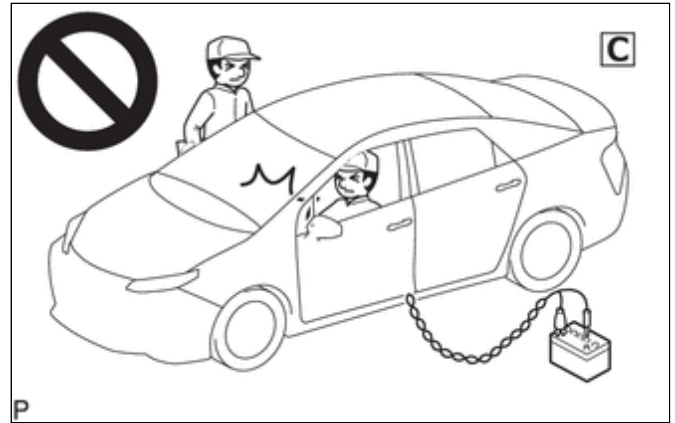
(3) Close all of the doors and windows of the vehicle.

NOTICE:

Do not damage the SST wire harness.

(g) Deploy the seat belt pretensioner.

- (1) Check that no one is inside the vehicle or within a 10 m (32.8 ft.) radius of the vehicle.

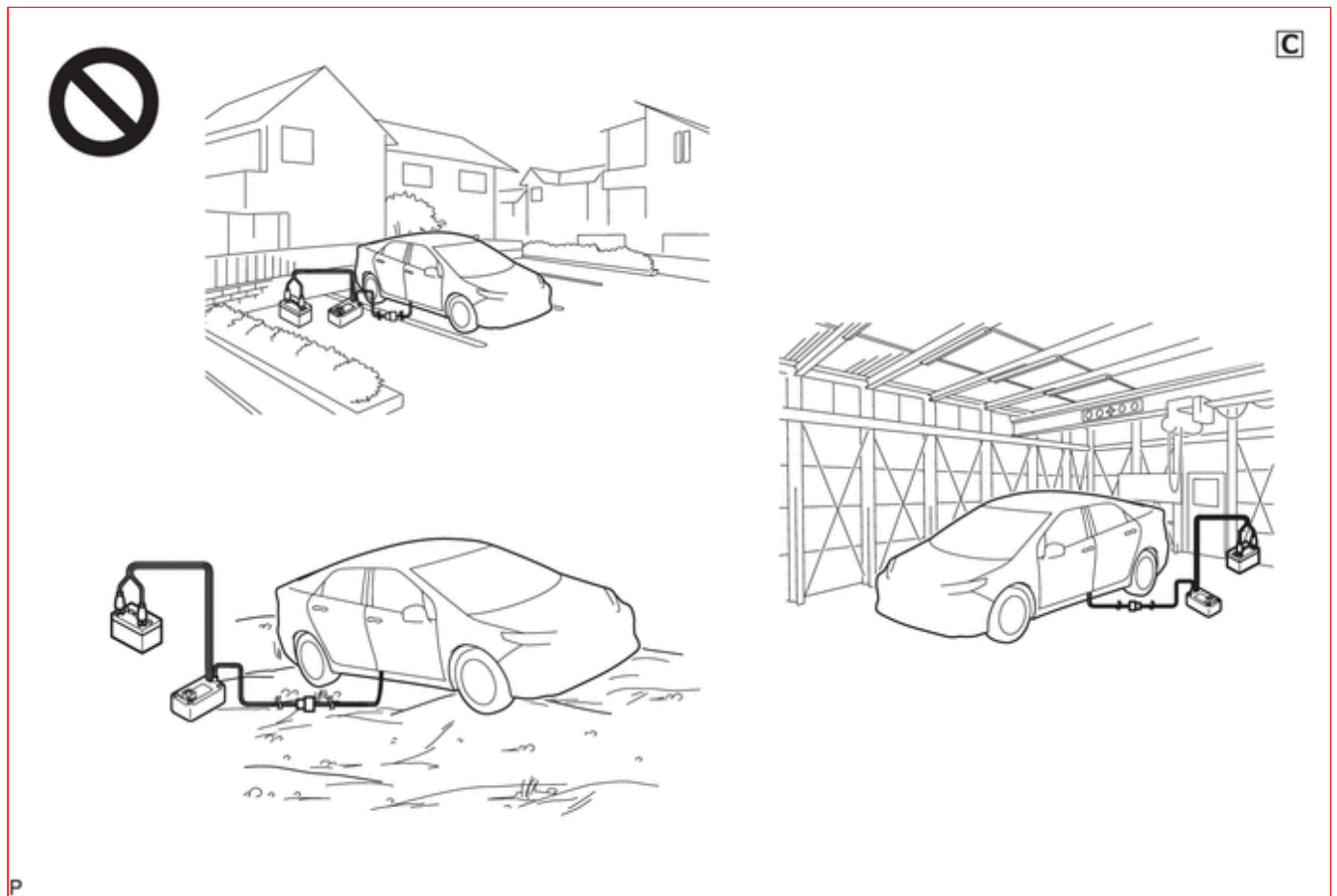


- (2) Connect the red clip of SST to the positive (+) auxiliary battery terminal and the black clip to the negative (-) auxiliary battery terminal.

(3) Press the SST activation switch to deploy the seat belt pretensioner.

CAUTION:

- The front seat outer belt assembly produces an exploding sound when the pretensioner is deployed, so perform the operation outdoors where it will not disturb nearby residents.

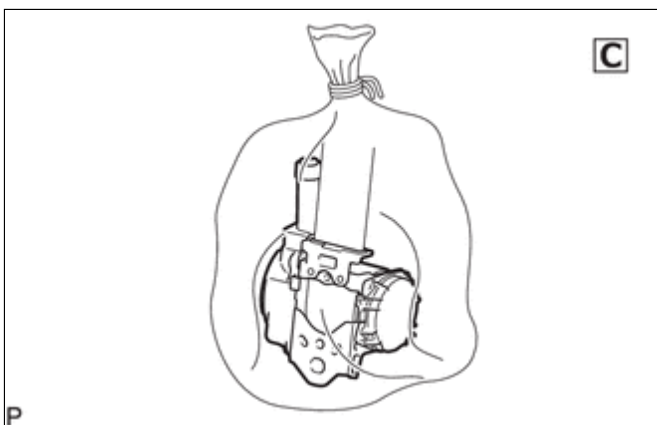


- If this procedure is performed indoors or on a rough road where safety cannot be ensured, unforeseen injuries may occur. Also, if this procedure is performed near a residential area, the deployment noise may disturb nearby residents.

HINT:

The seat belt pretensioner will deploy at the same time as the LED of SST illuminates.

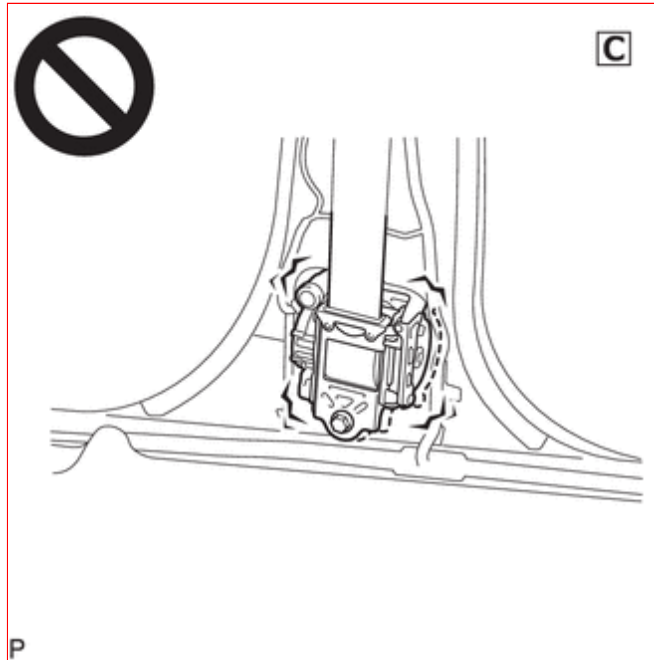
(h) Dispose of the front seat outer belt assembly.



- (1) Remove the front seat outer belt assembly and SST.
- (2) Place the front seat outer belt assembly in a plastic bag, tie the end tightly, and dispose of it in the same way as other general parts.

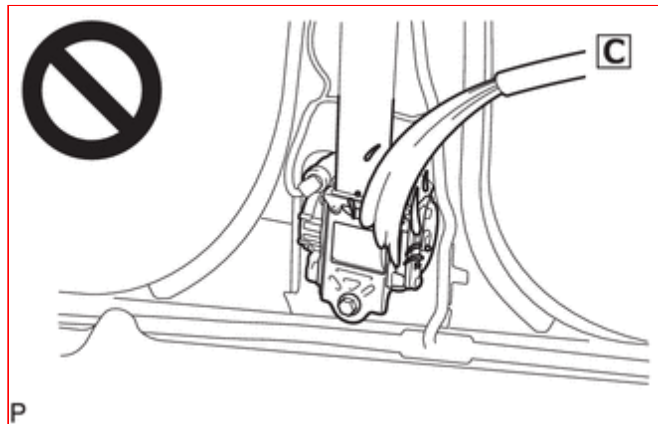
CAUTION:

- The front seat outer belt assembly becomes extremely hot when the pretensioner is deployed, so do not touch it

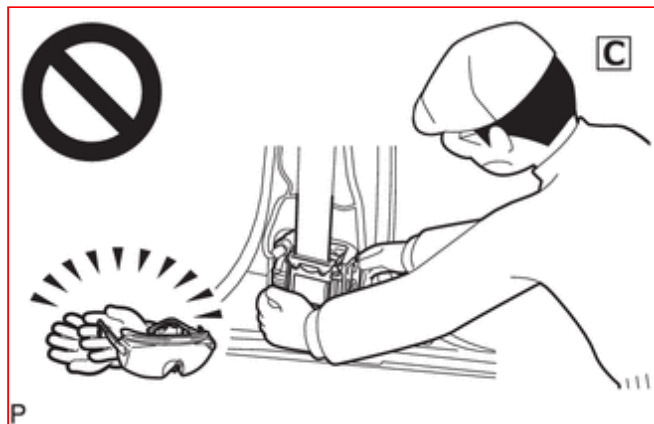


for at least 30 minutes after deployment.

- Do not apply water, etc. to a front seat outer belt assembly with a deployed pretensioner.



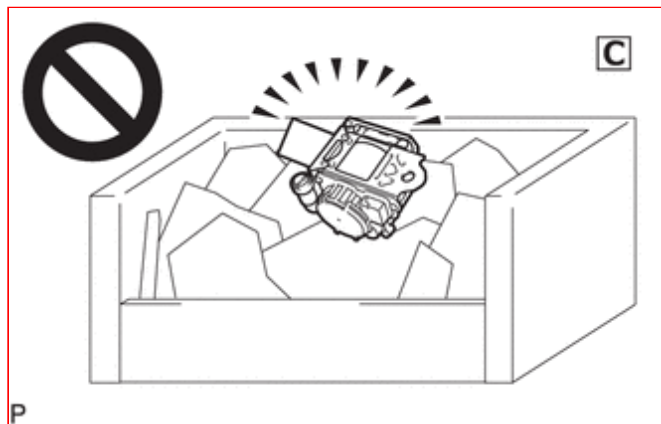
- If water is applied to the front seat outer belt assembly immediately after deployment, burns may be caused by the resulting steam.
- Always wear safety glasses and gloves when handling a front seat outer belt assembly with a deployed



pretensioner.

- If a front seat outer belt assembly with a deployed pretensioner is touched without wearing safety glasses and gloves, hot parts may cause burns and dust may enter the eyes.
- After removal, quickly seal the front seat outer belt assembly in a plastic bag.

- Never dispose of a front seat outer belt assembly with a pretensioner that has not been deployed.



- If a front seat outer belt assembly with a pretensioner that has not been deployed is disposed of, and then deploys accidentally, unforeseen injuries may occur.
- Always wash your hands with water after completing the operation.

HINT:

When scrapping a vehicle, deploy the seat belt pretensioners, and then scrap the vehicle with the front seat outer belt assemblies installed.

3. DISPOSE OF FRONT SEAT OUTER BELT ASSEMBLY (When not Installed to Vehicle)

NOTICE:

- When disposing of a front seat outer belt assembly with a pretensioner, never deploy the pretensioner in the customer's vehicle.
- Be sure to observe the following procedure when deploying a seat belt pretensioner.

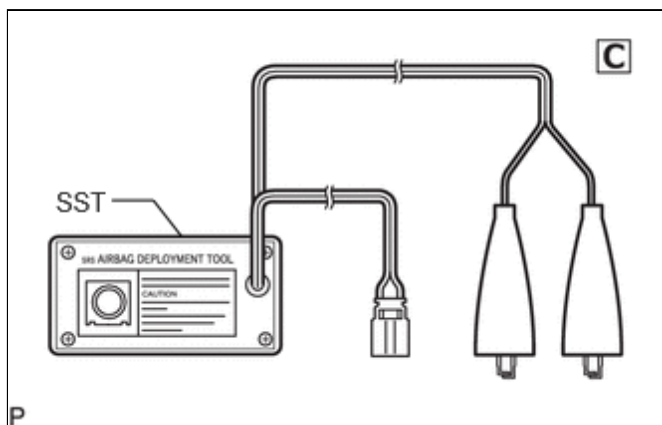
HINT:

Prepare an auxiliary battery as the power source to deploy the seat belt pretensioner.

(a) Check the function of SST.

Click here [INFO](#)

SST: 09082-00700



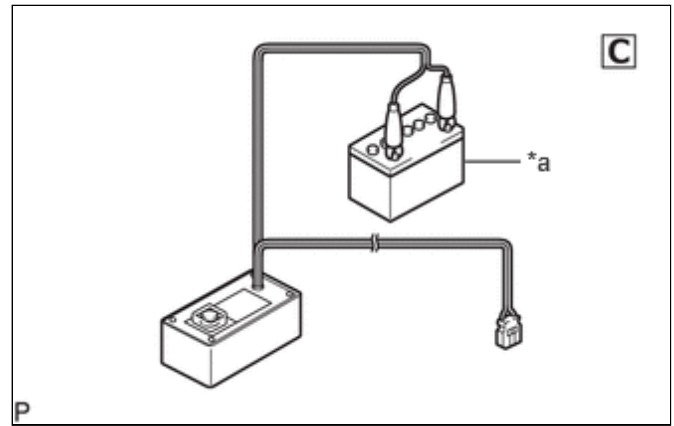
CAUTION:

When deploying a seat belt pretensioner, always use the specified SST.

- (1) Connect the red clip of SST to the positive (+) auxiliary battery terminal and the black clip to the negative (-) auxiliary battery terminal.

HINT:

At this time, do not connect the yellow connector. It will be connected to the seat belt pretensioner in a later step.

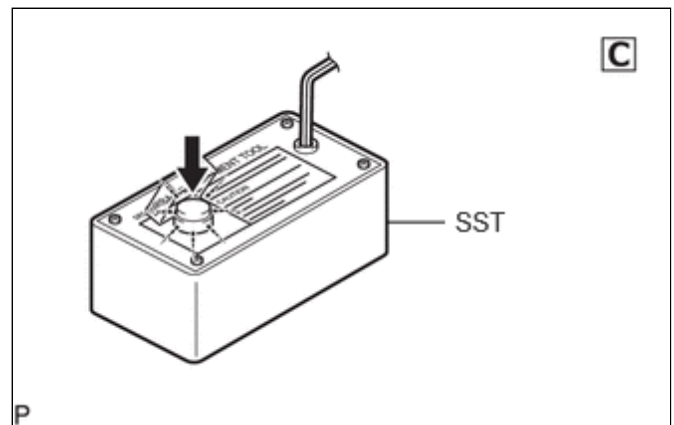


*a Auxiliary Battery

(2) Press the SST activation switch and check that the LED of the SST activation switch illuminates.

CAUTION:

If the LED is illuminated when the SST activation switch is not pressed, SST may be malfunctioning. In this case, do not use the malfunctioning SST.



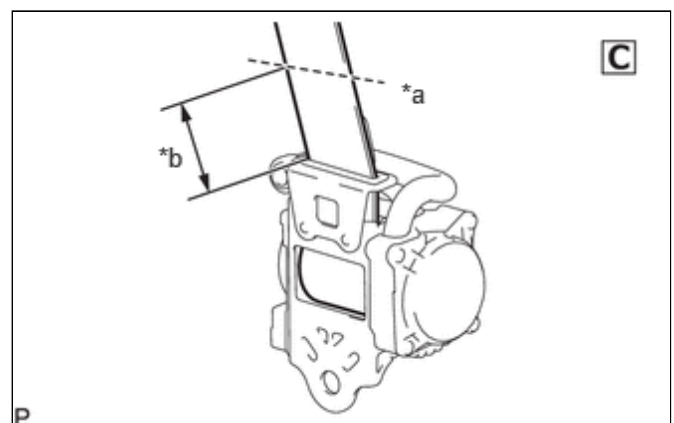
(b) Refer to Precaution.

Click here [INFO](#)

(c) Remove the front seat outer belt assembly.

Click here [INFO](#)

(d) Wind the seat belt webbing with the retractor.



*a Cut

*b	100 mm (3.94 in.)
----	-------------------

(e) When the seat belt webbing is sufficiently wound, cut the seat belt webbing approximately 100 mm (3.94 in.) from the retractor, as shown in the illustration.

HINT:

The retractor resistance increases in proportion with how much the seat belt webbing is wound.

(f) Connect SST.

- (1) After connecting the following SST to each other, connect them to the seat belt pretensioner.

SST: 09082-00700

SST: 09082-00802

09082-10801

09082-20801

NOTICE:

To avoid damaging the SST connector or wire harness, do not lock the secondary lock of the pretensioner connector.

- (2) Place the front seat outer belt assembly on the ground and cover it with an unneeded tire and wheel assembly.

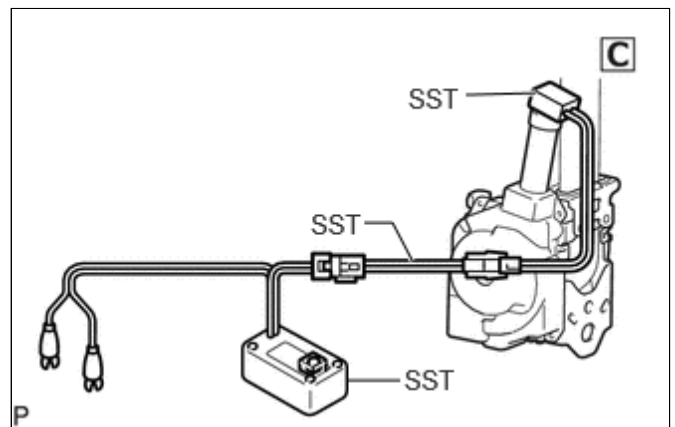
NOTICE:

- Position the front seat outer belt assembly as shown in the illustration.
- The tire and wheel assembly may be damaged by the seat belt pretensioner deployment, so use an unneeded tire and wheel assembly.

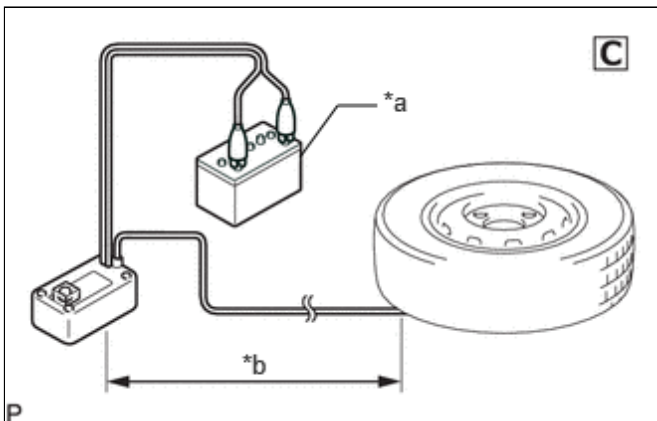
- (3) Position and hold SST at least 10 m (32.8 ft.) away from the tire and wheel assembly.

NOTICE:

Do not damage the SST wire harness.



(g) Deploy the seat belt pretensioner.

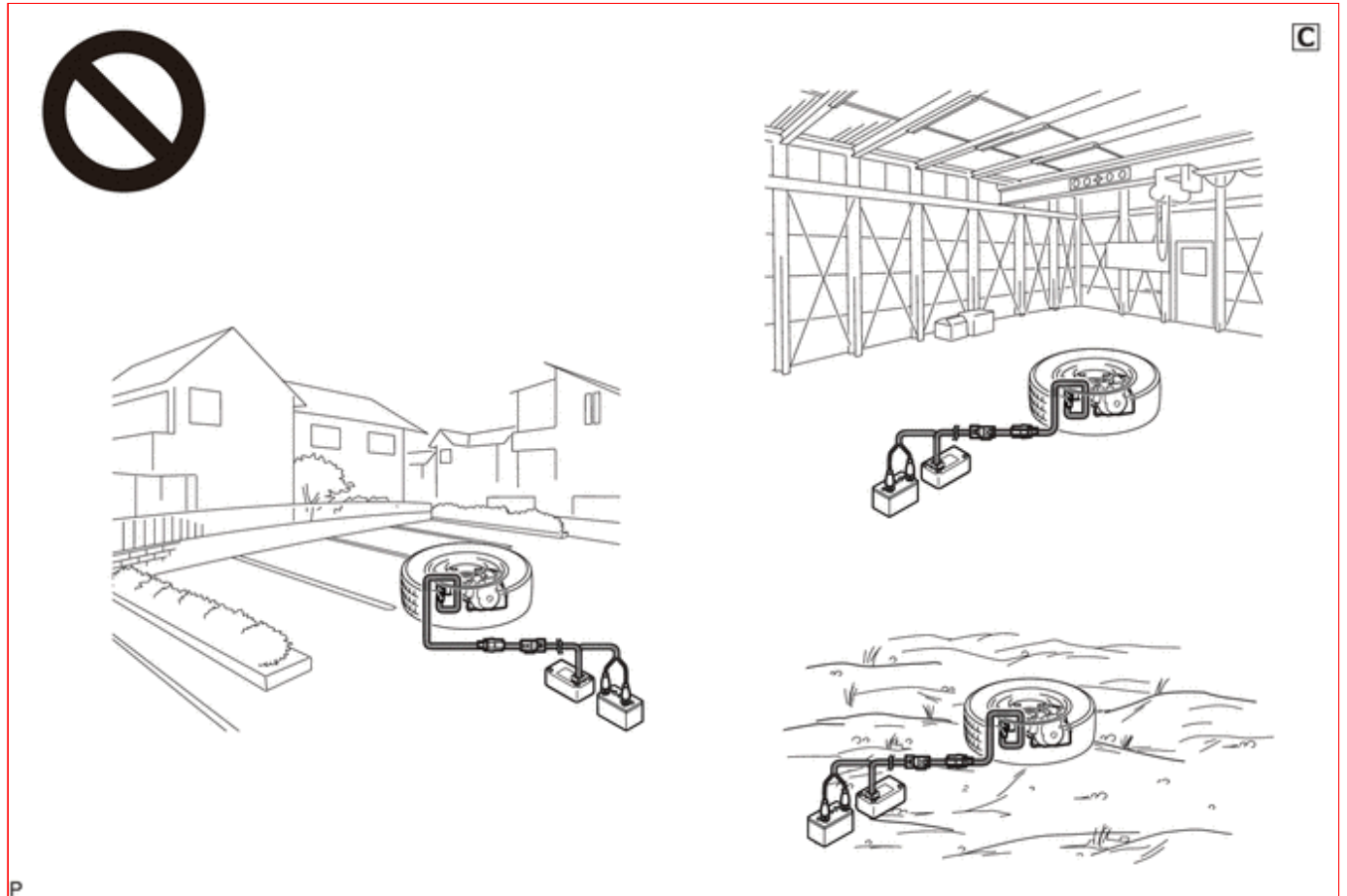


*a	Auxiliary Battery
*b	10 m (32.8 ft.) or more

- (1) Check that no one is within a 10 m (32.8 ft.) radius of the tire and wheel assembly.
- (2) Connect the red clip of SST to the positive (+) auxiliary battery terminal and the black clip to the negative (-) auxiliary battery terminal.
- (3) Press the SST activation switch to deploy the seat belt pretensioner.

CAUTION:

- The front seat outer belt assembly produces an exploding sound when the pretensioner is deployed, so perform the operation outdoors where it will not disturb nearby residents.

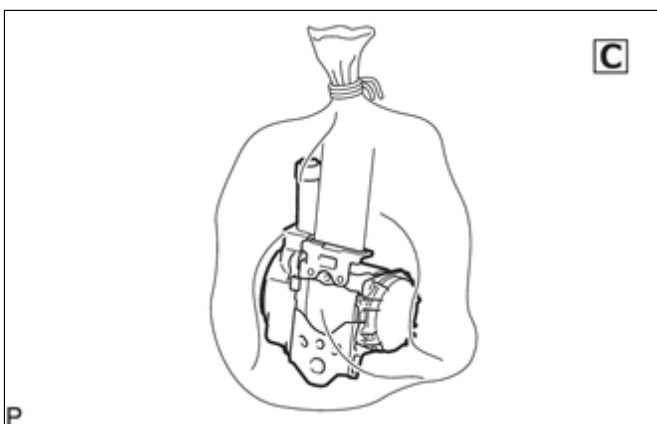


- If this procedure is performed indoors or on a rough road where safety cannot be ensured, unforeseen injuries may occur. Also, if this procedure is performed near a residential area, the deployment noise may disturb nearby residents.

HINT:

The seat belt pretensioner will deploy at the same time as the LED of SST illuminates.

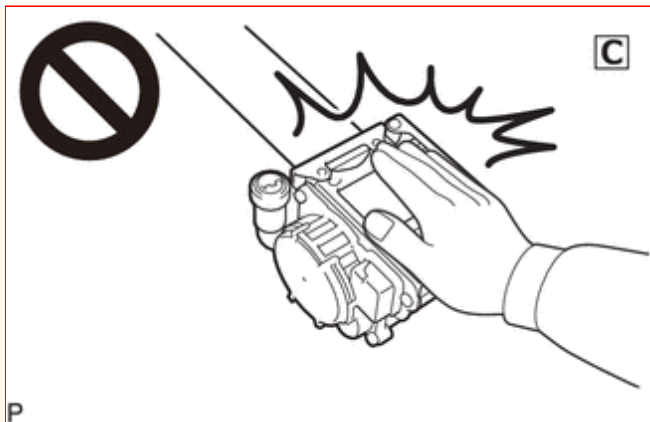
- (h) Dispose of the front seat outer belt assembly.



- (1) Remove the tire and wheel assembly and SST.
- (2) Place the front seat outer belt assembly in a plastic bag, tie the end tightly, and dispose of it in the same way as other general parts.

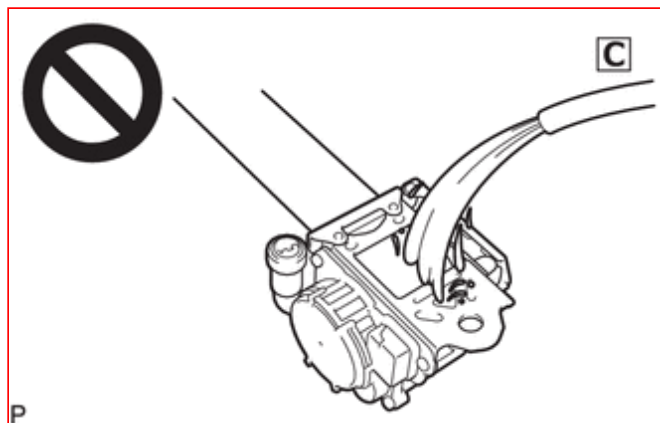
CAUTION:

- The front seat outer belt assembly becomes extremely hot when the pretensioner is deployed, so do not touch it



for at least 30 minutes after deployment.

- Do not apply water, etc. to a front seat outer belt assembly with a deployed pretensioner.



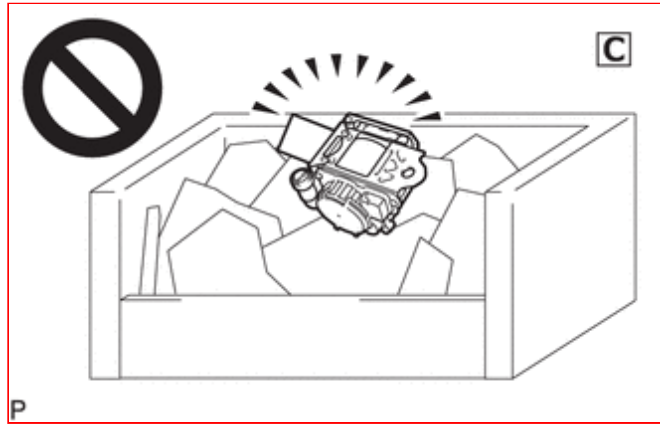
- If water is applied to the front seat outer belt assembly immediately after deployment, burns may be caused by the resulting steam.
- Always wear safety glasses and gloves when handling a front seat outer belt assembly with a deployed



pretensioner.

- If a front seat outer belt assembly with a deployed pretensioner is touched without wearing safety glasses and gloves, hot parts may cause burns and dust may enter the eyes.
- After removal, quickly seal the front seat outer belt assembly in a plastic bag.

- Never dispose of a front seat outer belt assembly with a pretensioner that has not been deployed.



- If a front seat outer belt assembly with a pretensioner that has not been deployed is disposed of, and then deploys accidentally, unforeseen injuries may occur.
- Always wash your hands with water after completing the operation.

