

<b>Last Modified:</b> 12-04-2024	6.11:8.1.0	<b>Doc ID:</b> RM1000000029TOW
<b>Model Year Start:</b> 2023	<b>Model:</b> Prius Prime	<b>Prod Date Range:</b> [12/2022 - ]
<b>Title:</b> SEAT: FRONT SEATBACK HEATER (for Manual Seat): INSPECTION; 2023 - 2024 MY Prius Prius Prime [12/2022 - ]		

## INSPECTION

### PROCEDURE

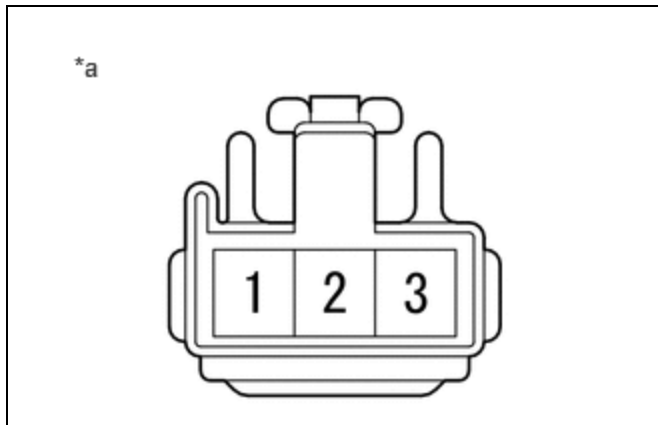
#### 1. INSPECT FRONT SEATBACK HEATER ASSEMBLY RH (w/o Climate Control Seat System)

(a) Measure the resistance according to the value(s) in the table below.

Standard Resistance:

TESTER CONNECTION	CONDITION	SPECIFIED CONDITION	RESULT
1 - 3	Seat heater temperature 20°C (68°F)	3.096 to 3.784 Ω	Ω

If the result is not as specified, replace the front seatback heater assembly RH.



*a	Component without harness connected (Front Seatback Heater Assembly RH)
----	---

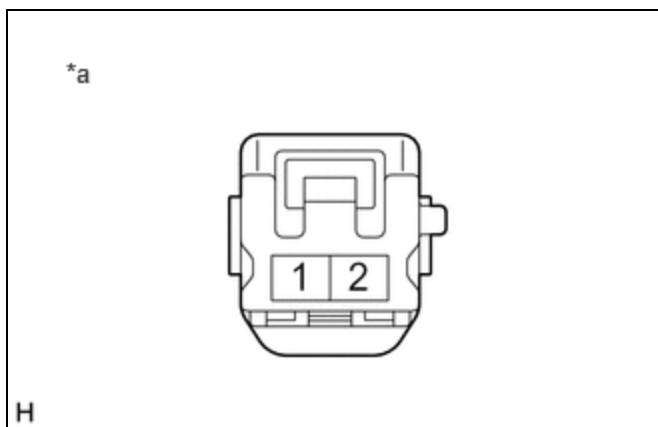
#### 2. INSPECT FRONT SEATBACK HEATER ASSEMBLY RH (w/ Climate Control Seat System)

(a) Measure the resistance according to the value(s) in the table below.

Standard Resistance:

TESTER CONNECTION	CONDITION	SPECIFIED CONDITION	RESULT
1 - 2	Seat heater temperature 20°C (68°F)	3.096 to 3.784 Ω	Ω

If the result is not as specified, replace the front seatback heater assembly RH.



*a	Component without harness connected (Front Seatback Heater Assembly RH)
----	---

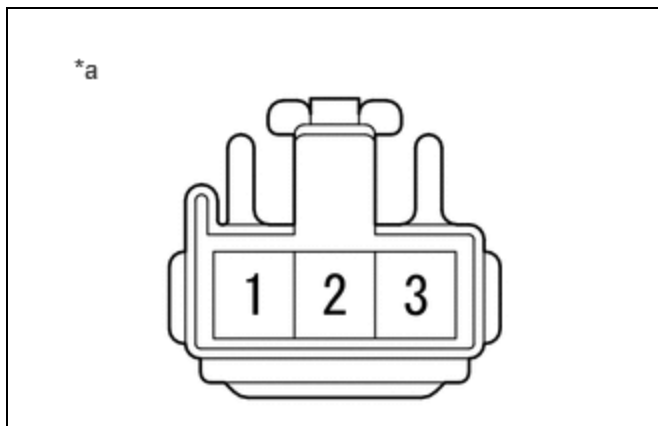
#### 3. INSPECT FRONT SEATBACK HEATER ASSEMBLY LH

(a) Measure the resistance according to the value(s) in the table below.

Standard Resistance:

TESTER CONNECTION	CONDITION	SPECIFIED CONDITION	RESULT
1 - 3	Seat heater temperature 20°C (68°F)	3.096 to 3.784 Ω	Ω

If the result is not as specified, replace the front seatback heater assembly LH.



*a	Component without harness connected (Front Seatback Heater Assembly LH)
----	---

