

|   |                           |                                      |
|---|---------------------------|--------------------------------------|
| <b>Last Modified:</b> 12-04-2024  | 6.11:8.1.0                | <b>Doc ID:</b> RM100000002BJBC       |
| <b>Model Year Start:</b> 2023   | <b>Model:</b> Prius Prime | <b>Prod Date Range:</b> [03/2023 - ] |
| <b>Title:</b> SEAT: FRONT SEAT CUSHION HEATER (for Manual Seat): REMOVAL; 2023 - 2024 MY Prius Prius Prime [03/2023 - ] |                           |                                      |

## REMOVAL

### CAUTION / NOTICE / HINT

The necessary procedures (adjustment, calibration, initialization, or registration) that must be performed after parts are removed and installed, or replaced during front seat cushion heater assembly removal/installation are shown below.

#### Necessary Procedures After Parts Removed/Installed/Replaced

| REPLACED PART OR PERFORMED PROCEDURE   | NECESSARY PROCEDURE                                     | EFFECT/INOPERATIVE FUNCTION WHEN NECESSARY PROCEDURE NOT PERFORMED  | LINK                 |
|--|---|---|----------------------|
| <b>w/ Occupant Classification System:</b><br><br>Front passenger seat*   | Zero point calibration (Occupant classification system) | <ul style="list-style-type: none"> <li>• Occupant Classification System</li> <li>• Passenger airbag ON/OFF indicator</li> <li>• Airbag System (Front passenger side)</li> <li>• Seat Belt Warning System (Front passenger)</li> </ul> | <a href="#">INFO</a> |
| *: Even when not replacing the part, it is necessary to perform the specified necessary procedures after installation. |   |   |                      |

**CAUTION:**

Wear protective gloves. Sharp areas on the parts may injure your hands.



### CAUTION / NOTICE / HINT

**HINT:**

When the cable is disconnected / reconnected to the auxiliary battery terminal, systems temporarily stop operating. However, each system has a function that completes learning the first time the system is used.

• **Learning completes when vehicle is driven**

| EFFECT/INOPERATIVE FUNCTION WHEN NECESSARY PROCEDURE NOT PERFORMED | NECESSARY PROCEDURE   | LINK                 |
|--|---|----------------------|
| Front Camera System  | Drive the vehicle straight ahead at 35 km/h (22 mph) or more for 5 seconds or more. | <a href="#">INFO</a> |

• **Learning completes when vehicle is operated normally**

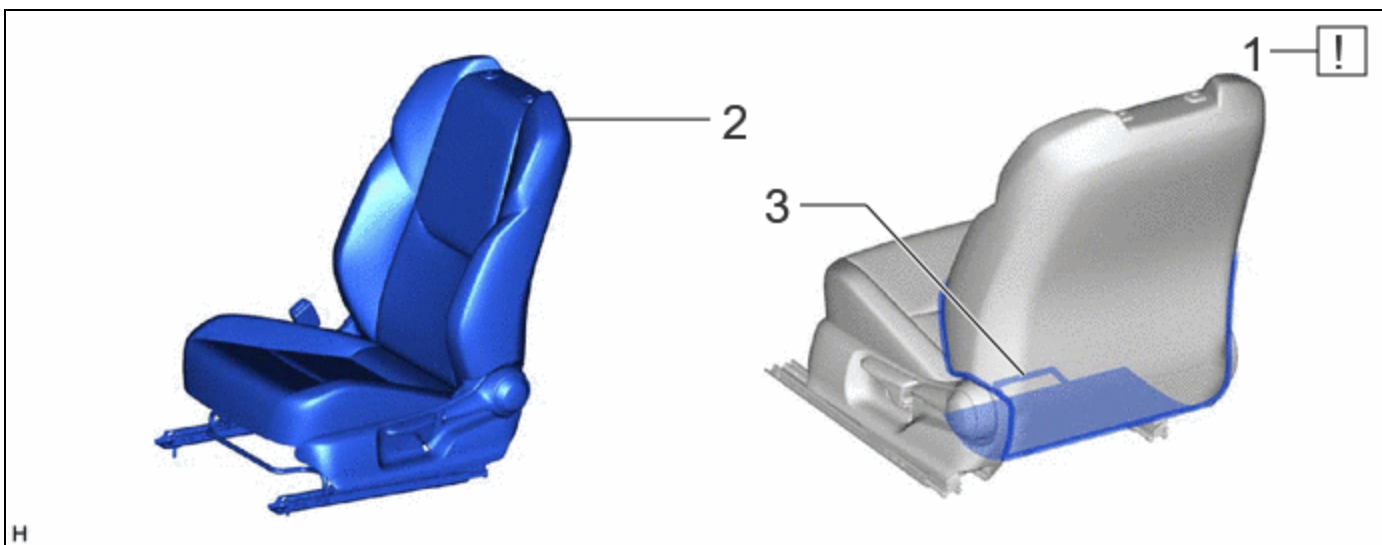
| EFFECT/INOPERATIVE FUNCTION WHEN NECESSARY PROCEDURE NOT PERFORMED                                     | NECESSARY PROCEDURE  | LINK                 |
|--|--|----------------------|
| Power Door Lock Control System*1<br><ul style="list-style-type: none"> <li>Back door opener</li> </ul> | Perform door unlock operation with door control switch or electrical key transmitter sub-assembly switch.  | <a href="#">INFO</a> |
| Power Back Door System*2   | Reset back door close position   | <a href="#">INFO</a> |
| Air Conditioning System  | <p><b>for HEV Model:</b></p> <p>After the ignition switch is turned to ON, the servo motor standard position is recognized.</p> <p><b>for PHEV Model:</b></p> <p>After the ignition switch is turned to ON, the servo motor and expansion valve standard position is recognized.</p> | -                    |
| <p>*1: w/o Power Back Door System</p> <p>*2: w/ Power Back Door System</p>                             |  |                      |




**HINT:**

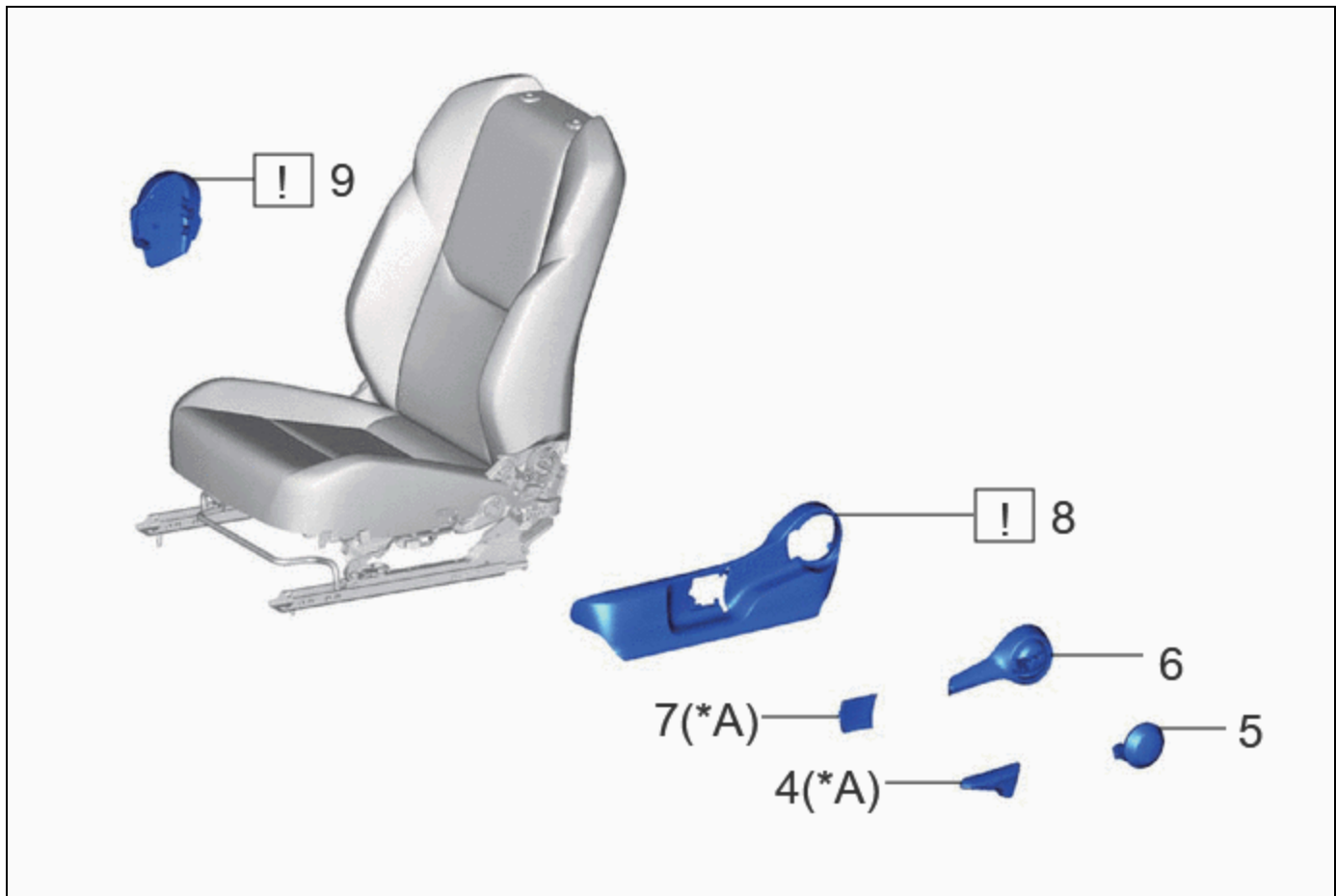
- Use the same procedure for the RH side and LH side.
- The following procedure is for the LH side.




**CAUTION / NOTICE / HINT**

**COMPONENTS (REMOVAL)**

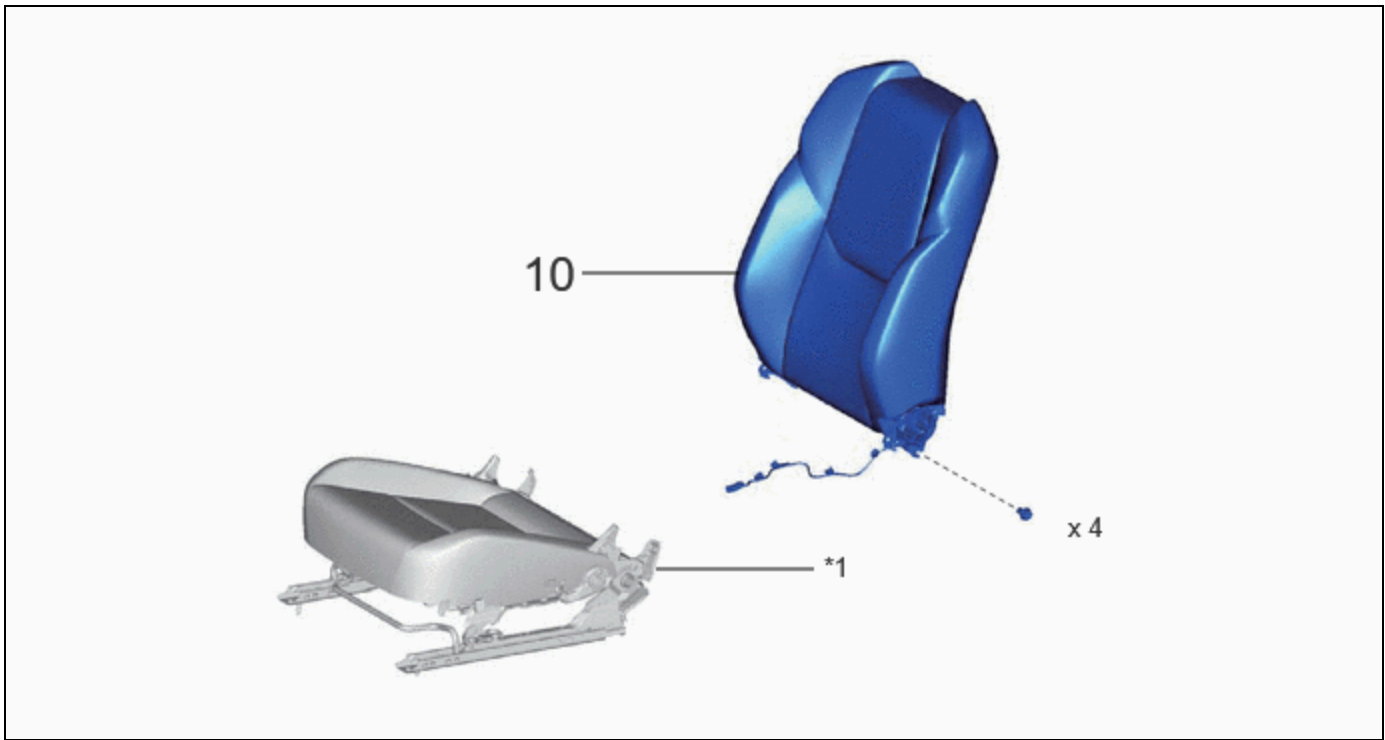





| PROCEDURE |   | PART NAME CODE |  |  |  |
|-----------|---|----------------|---|---|---|
| 1         | PRECAUTION                                    | -              | <b>INFO</b>   | -   | -   |
| 2         | FRONT SEAT ASSEMBLY                           | -              | -   | -   | -   |
| 3         | DISCONNECT SEPARATE TYPE FRONT SEATBACK COVER | 71074S         | -   | -   | -   |



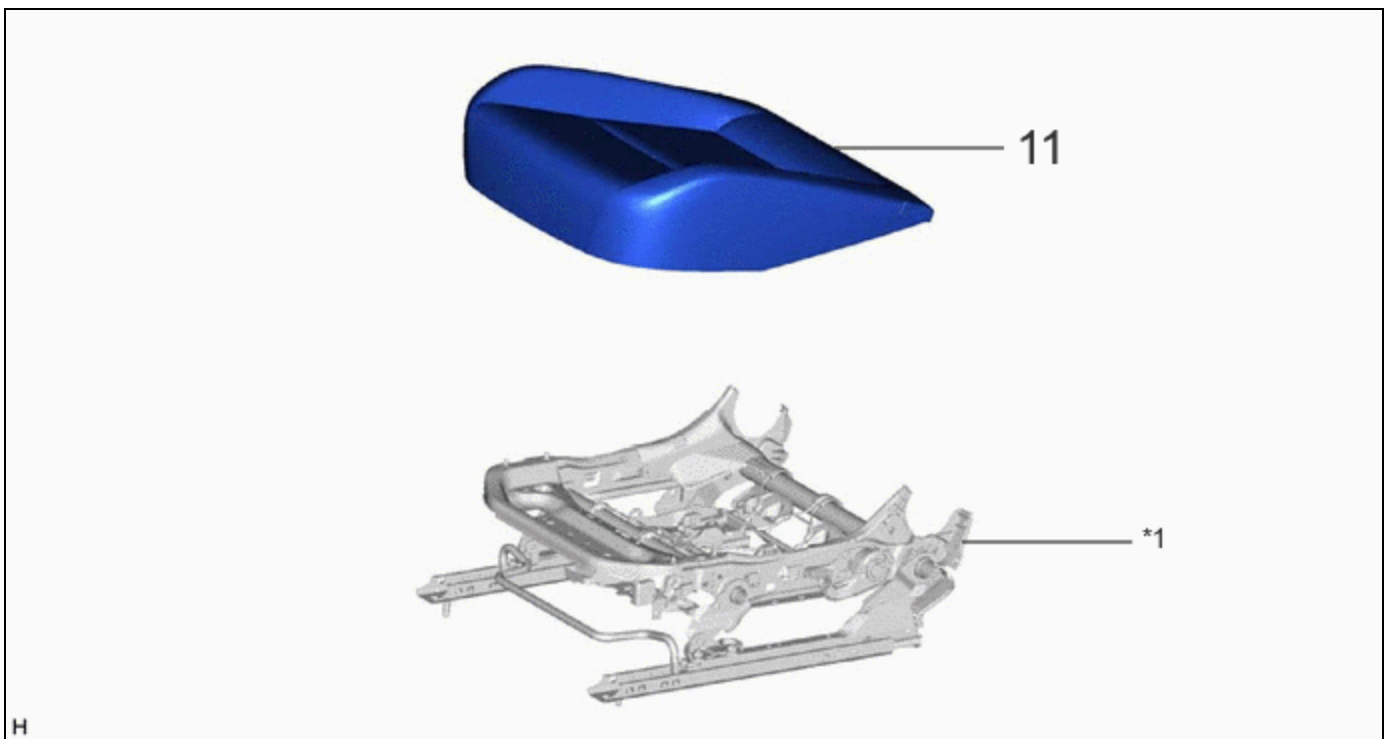
| PROCEDURE |                                   | PART NAME CODE |  |  |  |
|-----------|-----------------------------------|----------------|---|---|---|
| 4         | VERTICAL ADJUSTING HANDLE         | 72495          | -   | -   | -   |
| 5         | RECLINING HINGE COVER             | 72552B         | -   | -   | -   |
| 6         | RECLINING ADJUSTER RELEASE HANDLE | 72526A         | -   | -   | -   |
| 7         | SEAT ADJUSTER COVER CAP           | 71848A         | -   | -   | -   |
| 8         | FRONT SEAT CUSHION SHIELD         | 71812D         | <b>INFO</b>   | -   | -   |
| 9         | FRONT SEAT INNER CUSHION SHIELD   | 71862          | <b>INFO</b>   | -   | -   |

|    |                      |   |   |
|----|----------------------|---|---|
| *A | w/ Vertical Adjuster | - | - |
|----|----------------------|---|---|






| PROCEDURE |                                       | PART NAME CODE |  |  |  |
|-----------|---------------------------------------|----------------|---|---|---|
| 10        | SEPARATE TYPE FRONT SEATBACK ASSEMBLY | -              | -   | -   | -   |

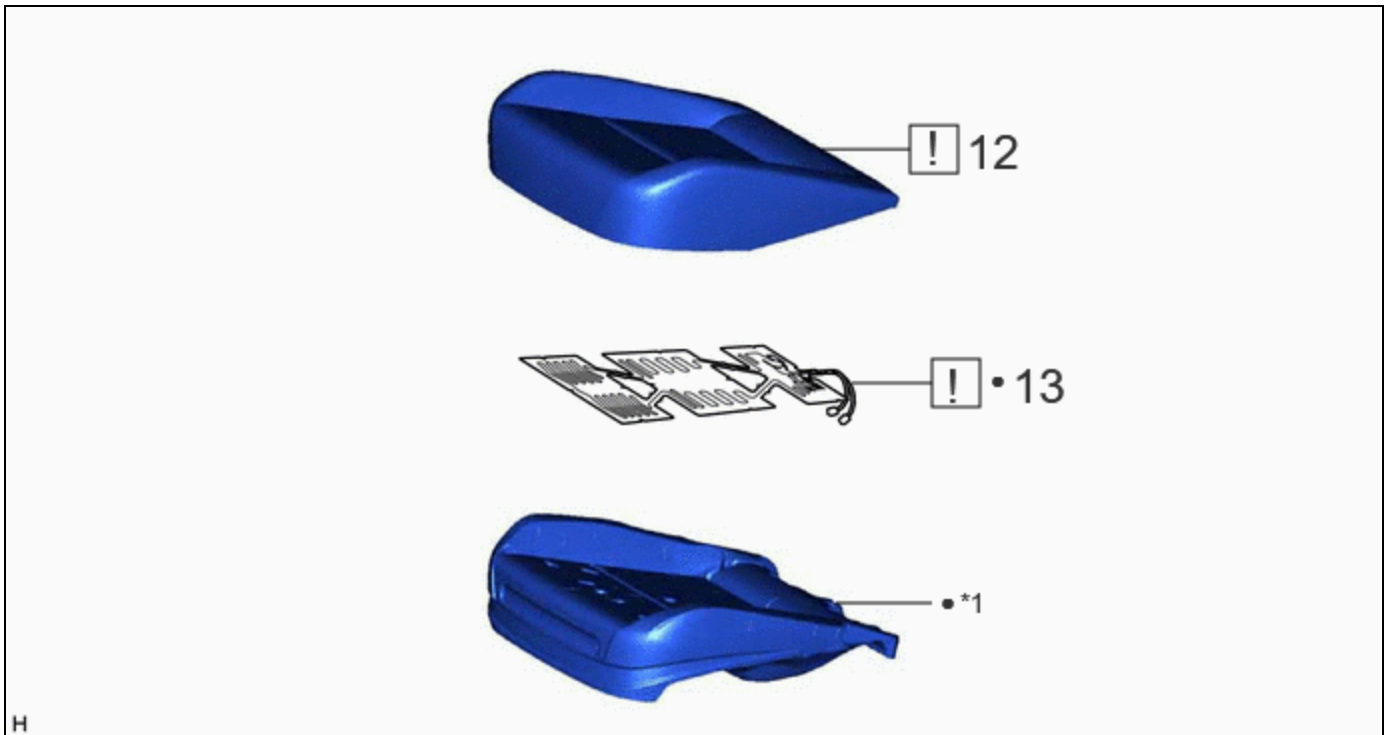
|    |   |   |   |
|----|---|---|---|
| *1 | SEPARATE TYPE FRONT SEAT CUSHION ASSEMBLY | - | - |
|----|---|---|---|






H

|    | PROCEDURE                                       | PART NAME CODE |  |  |  |
|----|---|----------------|---|---|---|
| 11 | SEPARATE TYPE FRONT SEAT CUSHION COVER WITH PAD | -              | -   | -   | -   |

|    |  |   |   |
|----|--|---|---|
| *1 | SEPARATE TYPE FRONT SEAT CUSHION SPRING ASSEMBLY | - | - |
|----|--|---|---|




|    | PROCEDURE                              | PART NAME CODE |  |  |  |
|----|--|----------------|---|---|---|
| 12 | SEPARATE TYPE FRONT SEAT CUSHION COVER | 71072S         | <a href="#">INFO</a>  | -   | -   |
| 13 | FRONT SEAT CUSHION HEATER ASSEMBLY     | 87510L         | <a href="#">INFO</a>  | -   | -   |

|    |                                      |   |   |
|----|--------------------------------------|---|---|
| *1 | SEPARATE TYPE FRONT SEAT CUSHION PAD | - | - |
| •  | Non-reusable part                    | - | - |

## PROCEDURE

### 1. PRECAUTION

|   |   |
|---|---|
|  | <p><b>NOTICE:</b></p> <p>After the ignition switch is turned off, there may be a waiting time before disconnecting the negative (-) auxiliary battery terminal.</p> |
|---|---|

[Click here](#) [INFO](#)

## 2. REMOVE FRONT SEAT ASSEMBLY

[Click here](#) [INFO](#)

## 3. DISCONNECT SEPARATE TYPE FRONT SEATBACK COVER

[Click here](#) [INFO](#)

## 4. REMOVE VERTICAL ADJUSTING HANDLE (w/ Vertical Adjuster)

[Click here](#) [INFO](#)

## 5. REMOVE RECLINING HINGE COVER

[Click here](#) [INFO](#)

## 6. REMOVE RECLINING ADJUSTER RELEASE HANDLE

[Click here](#) [INFO](#)

## 7. REMOVE SEAT ADJUSTER COVER CAP (w/ Vertical Adjuster)

[Click here](#) [INFO](#)

## 8. REMOVE FRONT SEAT CUSHION SHIELD



w/ Vertical Adjuster: [Click here](#) [INFO](#)  
w/o Vertical Adjuster: [Click here](#) [INFO](#)

## 9. REMOVE FRONT SEAT INNER CUSHION SHIELD



w/ Vertical Adjuster: [Click here](#) [INFO](#)  
w/o Vertical Adjuster: [Click here](#) [INFO](#)

## 10. REMOVE SEPARATE TYPE FRONT SEATBACK ASSEMBLY

[Click here](#) [INFO](#)

## 11. REMOVE SEPARATE TYPE FRONT SEAT CUSHION COVER WITH PAD

[Click here](#) [INFO](#)

## 12. REMOVE SEPARATE TYPE FRONT SEAT CUSHION COVER



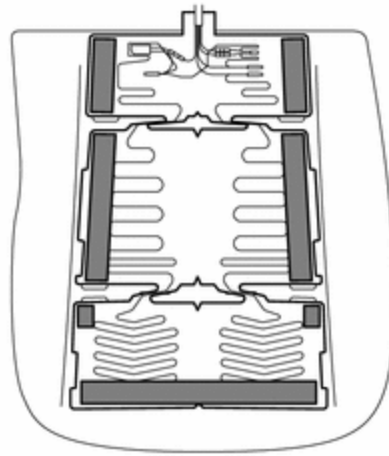
[Click here](#) [INFO](#)

## 13. REMOVE FRONT SEAT CUSHION HEATER ASSEMBLY



**NOTICE:**

Replace the front seat cushion heater assembly and separate type front seat cushion pad as a set.



H

