

Last Modified: 12-04-2024	6.11:8.1.0	Doc ID: RM100000029X33
Model Year Start: 2023	Model: Prius Prime	Prod Date Range: [12/2022 -]
Title: SEAT: FRONT POWER SEAT CONTROL SYSTEM (w/ Memory): OPERATION CHECK; 2023 - 2024 MY Prius Prius Prime [12/2022 -]		

OPERATION CHECK

CHECK CUSTOMIZE PARAMETERS

NOTICE:

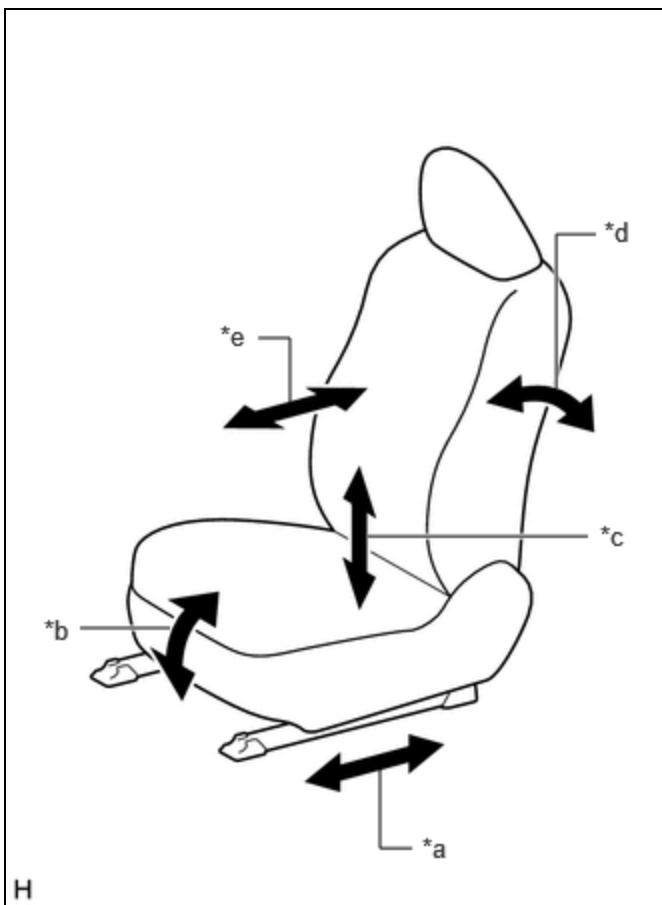
- The interference prevention function stops the recall operation when the head restraint may contact the roof headlining during a recall operation.
- Before performing an operation check, check that Customize Setting item "Auto Operation Interference Avoidance Function" for the front power seat system (with memory) is set to "OFF".

Click here [INFO](#)

- When Customize Setting item "Auto Operation Interference Avoidance Function" is set to "OFF", it is possible for the head restraint to contact the roof headlining.

CHECK POWER SEAT FUNCTION

(a) Check the basic functions.



*a	Slide Function
*b	Front Vertical Function
*c	Lifter Function
*d	Reclining Function

*e	Lumbar Support Adjustment Function (forward - back)
----	--

(1) Operate the power seat switches and check that the following seat functions operate properly:

- Slide function
- Front vertical function
- Lifter function
- Reclining function
- Lumbar support adjustment function (forward - back)

CHECK SEAT POSITION MEMORY AND RESTORING FUNCTION

HINT:

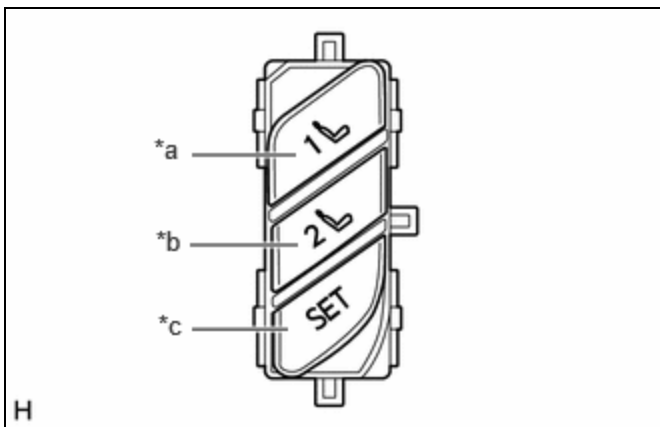
- The SET, M1 and M2 seat memory switches are shown in the illustration.
- The seat position will not be stored if the SET switch and 2 or more of the seat memory switches (for example, M1 switch and M2 switch) are pressed simultaneously.

If a memorizing operation has failed, release all of the switches. The seat memory function will not operate unless the switches are released.

- The seat will not return to the memorized position if 2 or more of the seat memory switches (for example, M1 switch and M2 switch) are pressed simultaneously.

If a restoring operation has failed, release all of the switches. The seat memory restoring function will not operate unless the switches are released.

(a) Turn the ignition switch to ON and check that the P position indicator is illuminated.



*a	M1 Switch
*b	M2 Switch
*c	SET Switch

- (b) Move the seat to the foremost and uppermost positions using the front power seat switch LH.
- (c) Check that a buzzer sounds for 0.5 seconds and the seat position is memorized when the M1 switch is pressed within 3 seconds of the SET switch being pressed or the M1 switch is pressed while the SET switch is being pressed.
- (d) Move the seat out of the foremost and uppermost positions using the front power seat switch LH.
- (e) Check that the buzzer sounds for 0.5 seconds and the seat position is memorized when the M2 switch is pressed within 3 seconds of the SET switch being pressed or the M2 switch is pressed while the SET switch is being pressed.
- (f) Move the seat to the rearmost and lowermost positions using the front power seat switch LH.
- (g) Check that the buzzer sounds for 0.1 seconds and the seat automatically moves into the foremost and uppermost positions (memorized positions) when the M1 switch is pressed.

- (h) Check that the buzzer sounds for 0.1 seconds and the seat automatically moves out of the foremost and uppermost positions (memorized positions) when the M2 switch is pressed.
- (i) Turn the ignition switch off and open the driver door. Check that the buzzer sounds for 0.1 seconds and the seat automatically moves to the memorized position by pressing the M1 or M2 switch within 180 seconds after the ignition switch is turned off.
- (j) Turn the ignition switch off and close the driver door. Check that the buzzer sounds for 0.1 seconds and the seat automatically moves to the memorized position by pressing the M1 or M2 switch within 60 seconds after the ignition switch is turned off.
- (k) Operate the front vertical function of the front power seat switch LH to tilt the seat down 3 times.

Within 10 seconds after operating the front vertical function of the front power seat switch LH, operate the lifter function of the front power seat switch LH and the reclining function of the front power seat switch LH to raise and recline the seat simultaneously. Hold both switches for 10 seconds to clear the memory.

HINT:

The buzzer sounds for 0.5 seconds when the memory is cleared.

CHECK MEMORY CALL FUNCTION**HINT:**

Before checking the function, check that a memory call is registered.

Click here 

- (a) Automatic memory call function
 - (1) While carrying the electrical key transmitter sub-assembly, unlock the driver door using the entry unlock function or wireless unlock operation. Open the driver door and check that a buzzer sounds for 0.1 seconds and the driver seat moves to the memorized position.

CHECK MEMORY CALL EMERGENCY STOP FUNCTION

- (a) While a memory call function is operating, check that performing one of the following will stop the memory call operation: 1) press the SET switch, M1 switch or M2 switch or 2) press the front power seat switch LH.

CHECK POWER SEAT POWER EASY ACCESS SYSTEM**HINT:**

- When troubleshooting a function, first make sure that the function is set to the default setting.

Click here 

- The power seat power easy access system may not operate and move the seat rearward if the seat is near the rearmost position.
- (a) Move the driver seat to the foremost position using the front power seat switch LH.
 - (b) Perform either of the following and check that the driver seat moves rearward:
 - With the ignition switch off, the shift lever in P and at a vehicle speed of less than 10 km/h, unfasten the driver seat seat belt.
 - With the shift lever in P, the driver seat seat belt unfastened and at a vehicle speed of less than 10 km/h, turn the ignition switch off.
 - (c) Perform either of the following and check that the driver seat moves forward:
 - With the ignition switch off, fasten the driver seat seat belt.
 - With the driver seat seat belt unfastened, turn the ignition switch from off to ACC or ON.

CHECK POWER SEAT MOTOR (SLIDE, FRONT VERTICAL, LIFTER AND RECLINING FUNCTIONS)

- (a) Check the PTC operation inside the power seat motor.

NOTICE:

- The inspection should be performed with the seat installed to the vehicle.
- Perform the 4 steps below to check the full range of motion for each power seat function.

HINT:

The resistance of the PTC thermistor increases when a switch of the front power seat switch LH is held down even after the seat has been moved to the farthest possible position in one direction. If the resistance increases beyond a specified level, the current is shut off to prevent a short circuit.

- (1) Choose a power seat function. Operate a switch of the front power seat switch LH and move the seat to the farthest possible position in one direction. Keep the seat in that position for approximately 60 seconds.
- (2) Operate the switch of the front power seat switch LH again and continue to try to move the seat in the same direction as in the previous step. Measure the time until the current is shut off (motor operation sound stops).

Standard:

4 to 90 seconds

- (3) After the current is shut off, release the switch of the front power seat switch LH and wait for approximately 60 seconds.
- (4) Operate a switch of the front power seat switch LH and move the seat in the opposite direction. Check that the motor operates.

CHECK FRONT LUMBAR SUPPORT MOTOR

- (a) Check the PTC operation inside the front lumbar support motor (forward - back).

NOTICE:

The inspection should be performed with the seat installed to the vehicle.

- (1) Operate the front power seat switch LH and move the lumbar support to either the foremost or rearmost position. Keep the seat in that position for approximately 60 seconds.
- (2) Operate the front power seat switch LH again and continue to try to move the lumbar support in the same direction as in the previous step. Measure the time until the current is shut off (motor operation sound will stop).

Standard:

4 to 90 seconds

- (3) After the current is shut off, release the front power seat switch LH and wait for approximately 60 seconds.
- (4) Operate the front power seat switch LH and move the lumbar support in the opposite direction. Check that the motor operates.

