

<b>Last Modified:</b> 12-04-2024	6.11:8.1.0	<b>Doc ID:</b> RM100000002BWHE
<b>Model Year Start:</b> 2023	<b>Model:</b> Prius Prime	<b>Prod Date Range:</b> [03/2023 - ]
<b>Title:</b> DOOR LOCK: REAR DOOR LOCK: REMOVAL; 2023 - 2024 MY Prius Prius Prime [03/2023 - ]		

## REMOVAL

### CAUTION / NOTICE / HINT

The necessary procedures (adjustment, calibration, initialization or registration) that must be performed after parts are removed and installed, or replaced during rear door lock with motor assembly removal/installation are shown below.

### CAUTION / NOTICE / HINT

**NOTICE:**

After the ignition switch is turned off, there may be a waiting time before disconnecting the negative (-) auxiliary battery terminal.

Click here [INFO](#)

### CAUTION / NOTICE / HINT

**HINT:**

- When the cable is disconnected / reconnected to the auxiliary battery terminal, systems temporarily stop operating. However, each system has a function that completes learning the first time the system is used.
  - Learning completes when vehicle is driven

EFFECT/INOPERATIVE FUNCTION WHEN NECESSARY PROCEDURES ARE NOT PERFORMED	NECESSARY PROCEDURES	LINK
Front Camera System	Drive the vehicle straight ahead at 35 km/h (22 mph) or more for 5 seconds or more.	<a href="#">INFO</a>

- Learning completes when vehicle is operated normally

EFFECT/INOPERATIVE FUNCTION WHEN NECESSARY PROCEDURES ARE NOT PERFORMED	NECESSARY PROCEDURES	LINK
Power Door Lock Control System*1 <ul style="list-style-type: none"> <li>Back door opener</li> </ul>	Perform door unlock operation with door control switch or electrical key transmitter sub-assembly switch.	<a href="#">INFO</a>
Power Back Door System*2	Reset back door close position	<a href="#">INFO</a>
Air Conditioning System	<b>for HEV Model:</b> After the ignition switch is turned to ON, the servo motor standard position is recognized.  <b>for PHEV Model:</b> After the ignition switch is turned to ON, the servo motor and expansion valve standard position is recognized.	-
*1: w/o Power Back Door System *2: w/ Power Back Door System		

- Use the same procedure for the RH side and LH side.

- The following procedure is for the LH side.

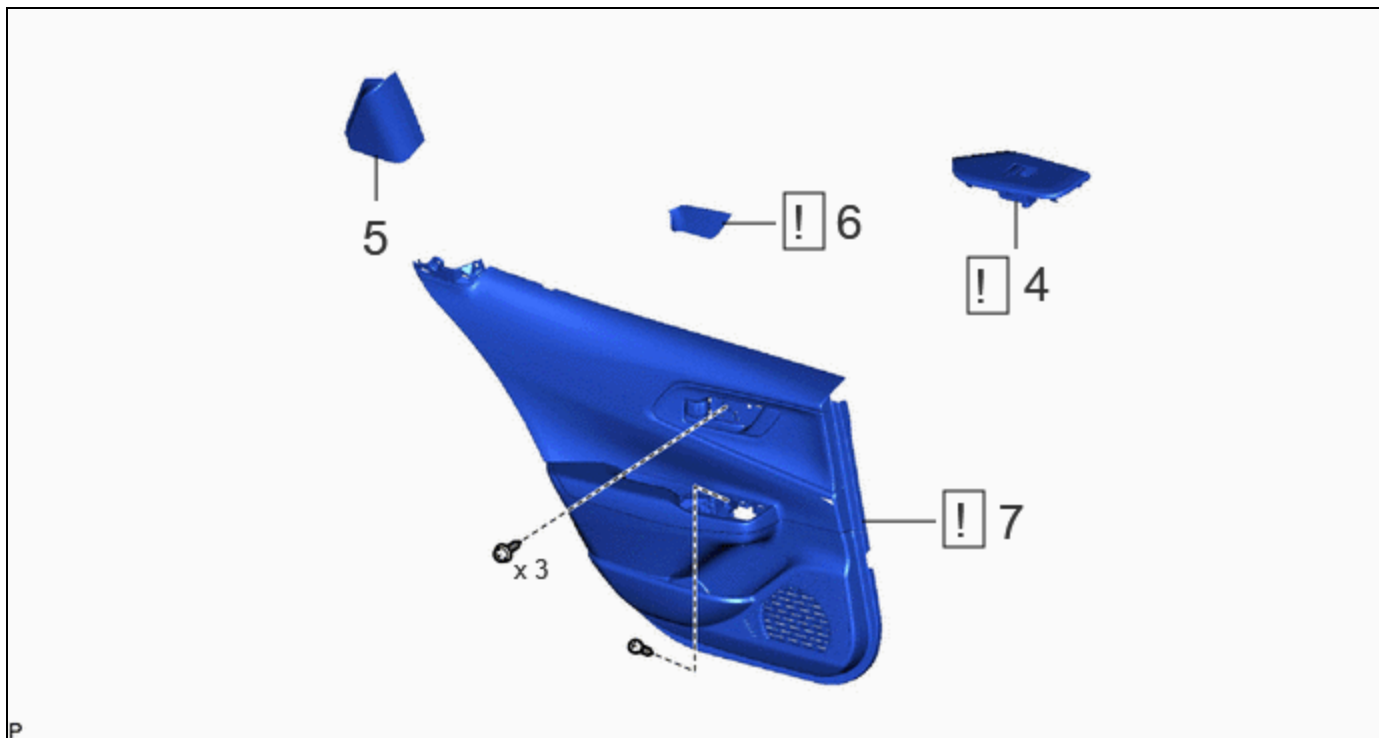
## CAUTION / NOTICE / HINT

### COMPONENTS (REMOVAL)

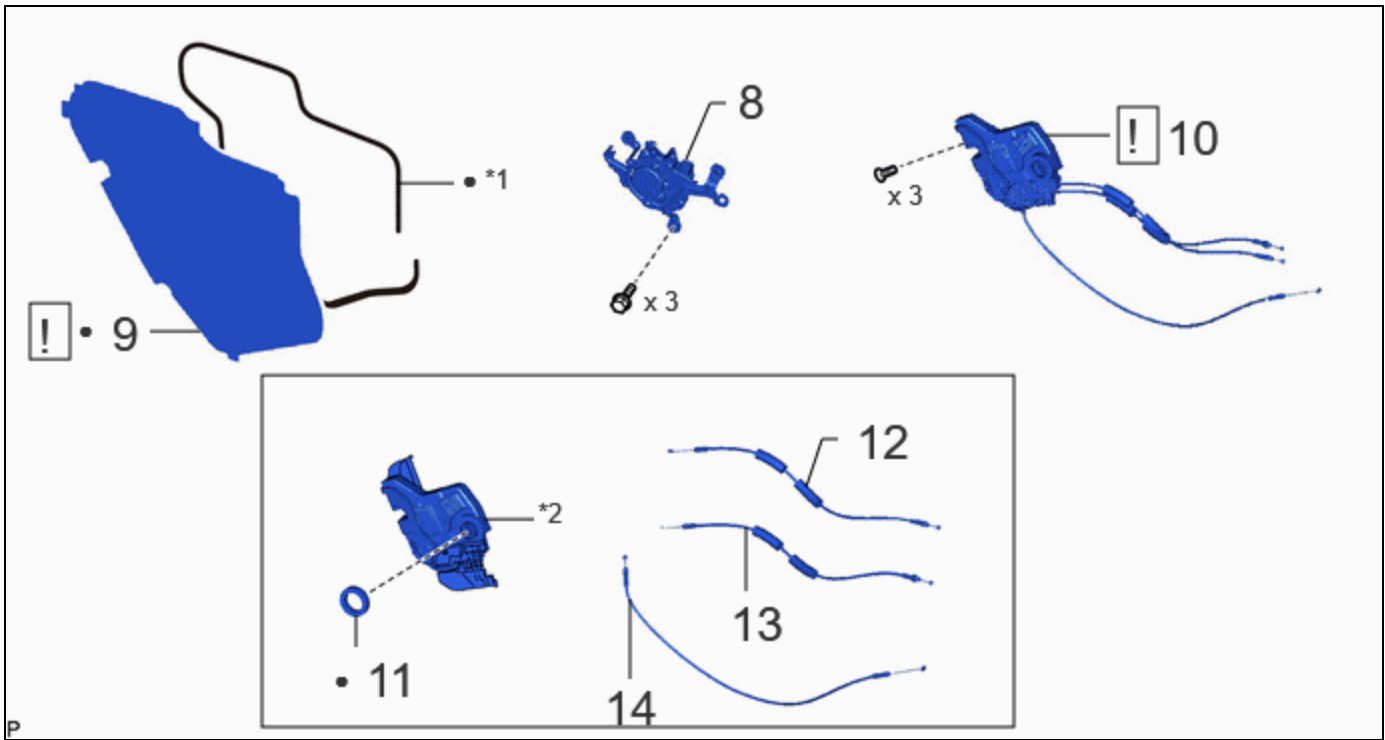


PROCEDURE		PART NAME CODE			
1	PRECAUTION	-	INFO	-	-
2	BATTERY SERVICE HOLE COVER ASSEMBLY	58440	INFO	-	-
3	DISCONNECT CABLE FROM NEGATIVE AUXILIARY BATTERY TERMINAL	-	-	-	-

*A	for M20A-FXS	-	-
*a	<b>HINT:</b> As the illustration shown is an example, the actual details may differ.	-	-



PROCEDURE		PART NAME CODE			
4	REAR POWER WINDOW REGULATOR SWITCH ASSEMBLY WITH REAR DOOR ARMREST BASE PANEL	-	<a href="#">INFO</a>	-	-
5	REAR DOOR REAR FRAME BRACKET	67498	-	-	-
6	REAR DOOR TRIM UPPER COVER	67782D	<a href="#">INFO</a>	-	-
7	REAR DOOR TRIM BOARD SUB-ASSEMBLY	67604	<a href="#">INFO</a>	-	-



PROCEDURE		PART NAME CODE			
8	DOOR LOCK RELEASE MOTOR ASSEMBLY	85620J	-	-	-
9	REAR DOOR SERVICE HOLE COVER	67842E	<a href="#">INFO</a>	-	-
10	REAR DOOR LOCK WITH MOTOR ASSEMBLY WITH CABLE	-	<a href="#">INFO</a>	-	-
11	DOOR LOCK WIRING HARNESS SEAL	69318D	-	-	-
12	LOCK / UNLOCK KNOB REAR DOOR INSIDE LOCKING CABLE	69780E	-	-	-
13	OPEN LEVER REAR DOOR LOCK REMOTE CONTROL CABLE	69740E	-	-	-
14	NO. 1 REAR DOOR LOCK REMOTE CONTROL CABLE ASSEMBLY	69730E	-	-	-

*1	BUTYL TAPE	*2	REAR DOOR LOCK WITH MOTOR ASSEMBLY
•	Non-reusable part	-	-

## PROCEDURE

### 1. PRECAUTION

	<p><b>NOTICE:</b></p> <p>After the ignition switch is turned off, there may be a waiting time before disconnecting the negative (-) auxiliary battery terminal.</p> <p>Click here <a href="#">INFO</a></p>
--	--

## 2. REMOVE BATTERY SERVICE HOLE COVER ASSEMBLY (for M20A-FXS)



Click here [INFO](#)

## 3. DISCONNECT CABLE FROM NEGATIVE AUXILIARY BATTERY TERMINAL

(a) for M20A-FXS:

Click here [INFO](#)

(b) for 2ZR-FXE:

Click here [INFO](#)

## 4. REMOVE REAR POWER WINDOW REGULATOR SWITCH ASSEMBLY WITH REAR DOOR ARMREST BASE PANEL



Click here [INFO](#)

## 5. REMOVE REAR DOOR REAR FRAME BRACKET

Click here [INFO](#)

## 6. REMOVE REAR DOOR TRIM UPPER COVER



Click here [INFO](#)

## 7. REMOVE REAR DOOR TRIM BOARD SUB-ASSEMBLY



Click here [INFO](#)

## 8. REMOVE DOOR LOCK RELEASE MOTOR ASSEMBLY

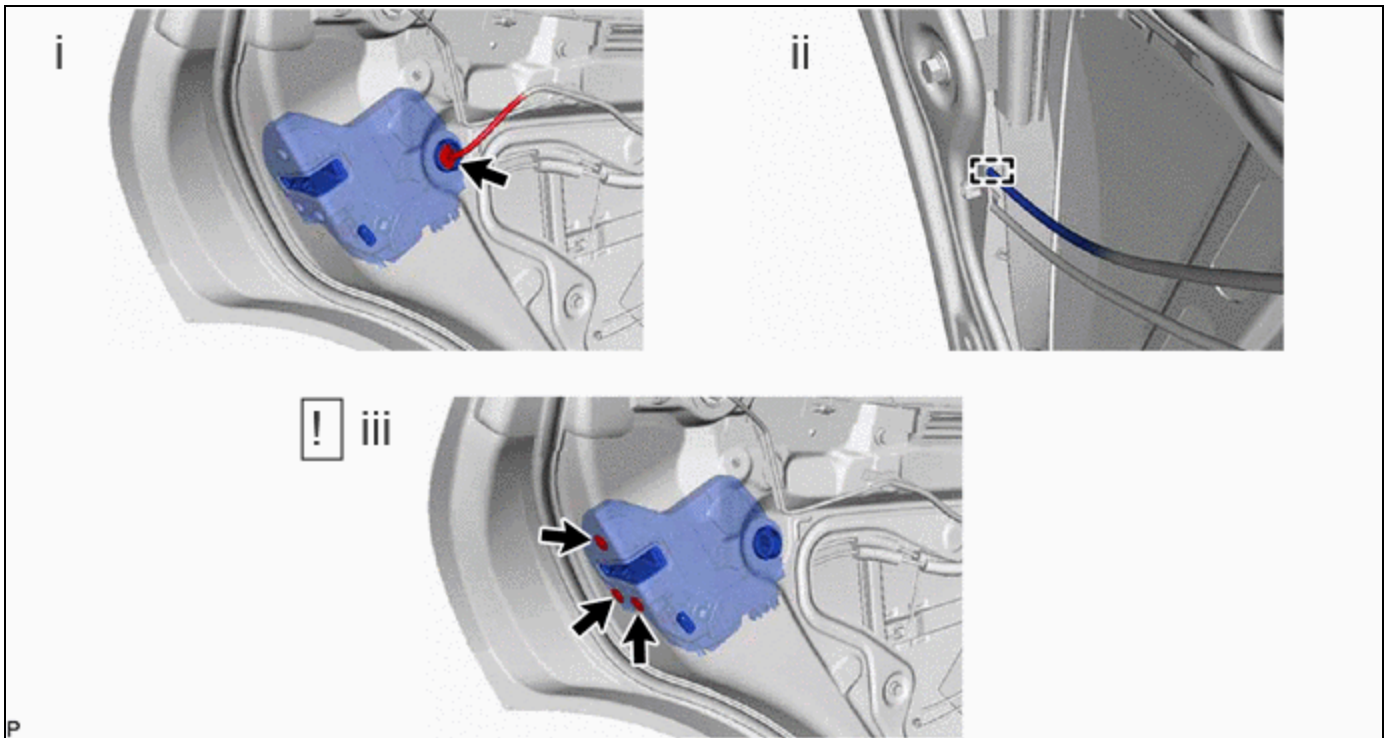
Click here [INFO](#)

## 9. REMOVE REAR DOOR SERVICE HOLE COVER



Click here [INFO](#)

## 10. REMOVE REAR DOOR LOCK WITH MOTOR ASSEMBLY WITH CABLE

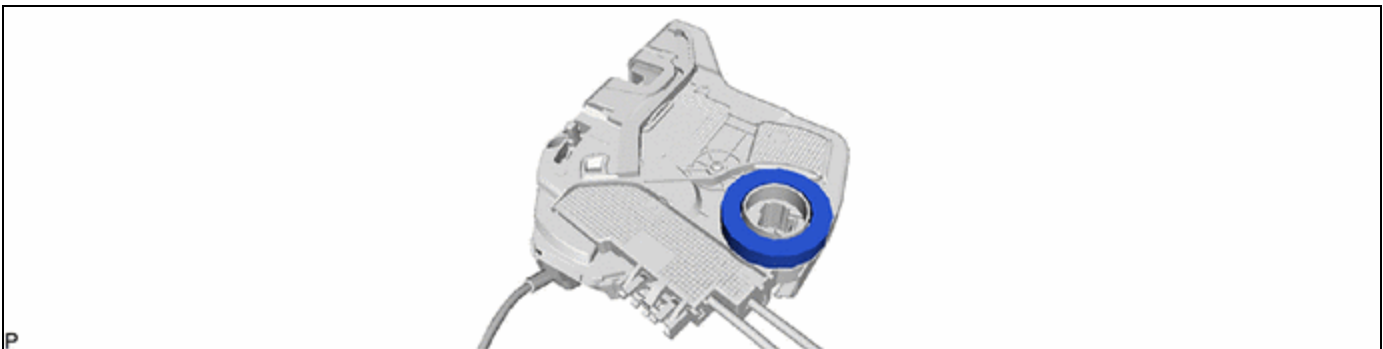


- (1) Disconnect the connector.
- (2) Disengage the clamp.
- (3) Using a T30 "TORX" socket wrench, remove the 3 screws to remove the rear door lock with motor assembly with cable.

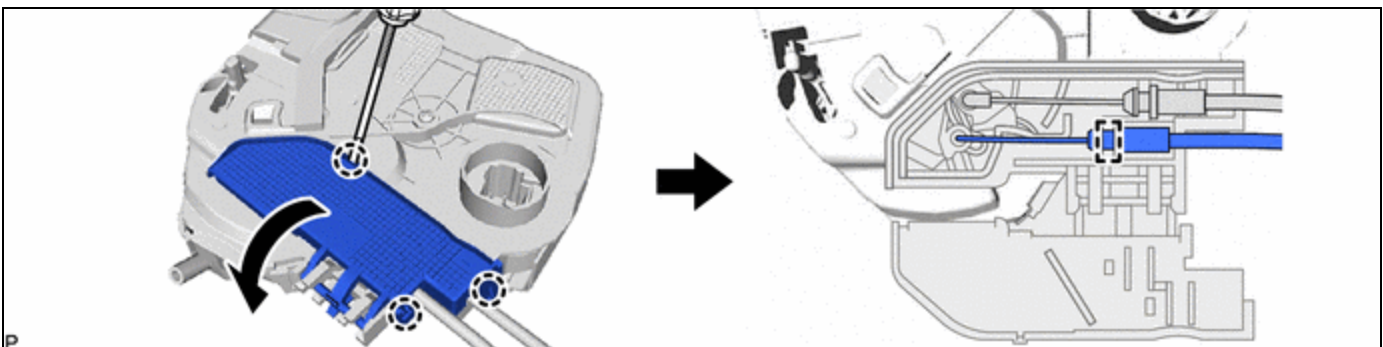
## 11. REMOVE DOOR LOCK WIRING HARNESS SEAL

### HINT:

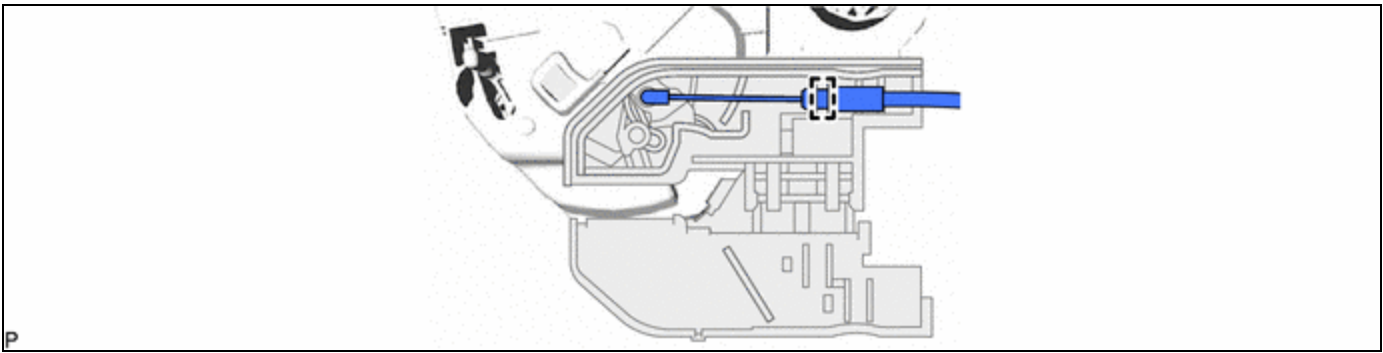
When reusing the rear door lock with motor assembly.



## 12. REMOVE LOCK / UNLOCK KNOB REAR DOOR INSIDE LOCKING CABLE



**13. REMOVE OPEN LEVER REAR DOOR LOCK REMOTE CONTROL CABLE**



**14. REMOVE NO. 1 REAR DOOR LOCK REMOTE CONTROL CABLE ASSEMBLY**

