

<b>Last Modified:</b> 12-04-2024	6.11:8.1.0	<b>Doc ID:</b> RM10000000289RL
<b>Model Year Start:</b> 2023	<b>Model:</b> Prius Prime	<b>Prod Date Range:</b> [12/2022 - ]
<b>Title:</b> DOOR LOCK: FRONT DOOR LOCK: INSPECTION; 2023 - 2024 MY Prius Prius Prime [12/2022 - ]		

# INSPECTION

## PROCEDURE

### 1. INSPECT FRONT DOOR LOCK WITH MOTOR ASSEMBLY LH

(a) Check the operation of the door lock motor.

(1) Apply battery voltage and check the operation of the door lock motor.

OK:

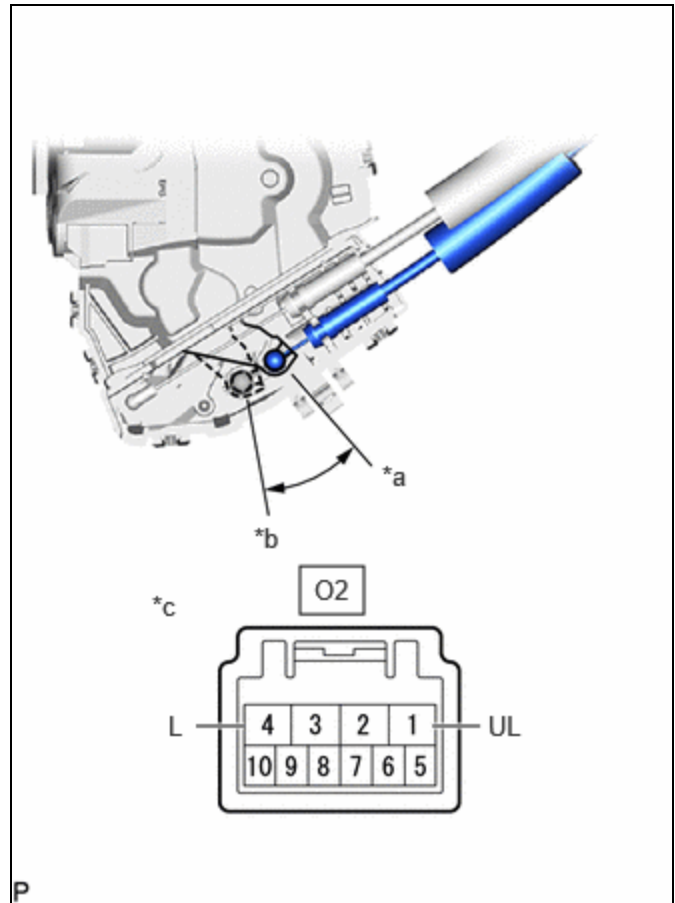


[Click Location & Routing\(O2\)](#)

[Click Connector\(O2\)](#)

TESTER CONNECTION	RESULT
O2-4 (L) - Auxiliary battery positive (+) O2-1 (UL) - Auxiliary battery negative (-)	Locks
O2-1 (UL) - Auxiliary battery positive (+) O2-4 (L) - Auxiliary battery negative (-)	Unlocks

If the result is not as specified, replace the front door lock with motor assembly LH.



*a	Unlock
*b	Lock
*c	Component without harness connected (Front Door Lock with Motor Assembly LH)

(b) Check the operation of the door unlock detection switch.

(1) Measure the resistance according to the value(s) in the table below.

Standard Resistance:

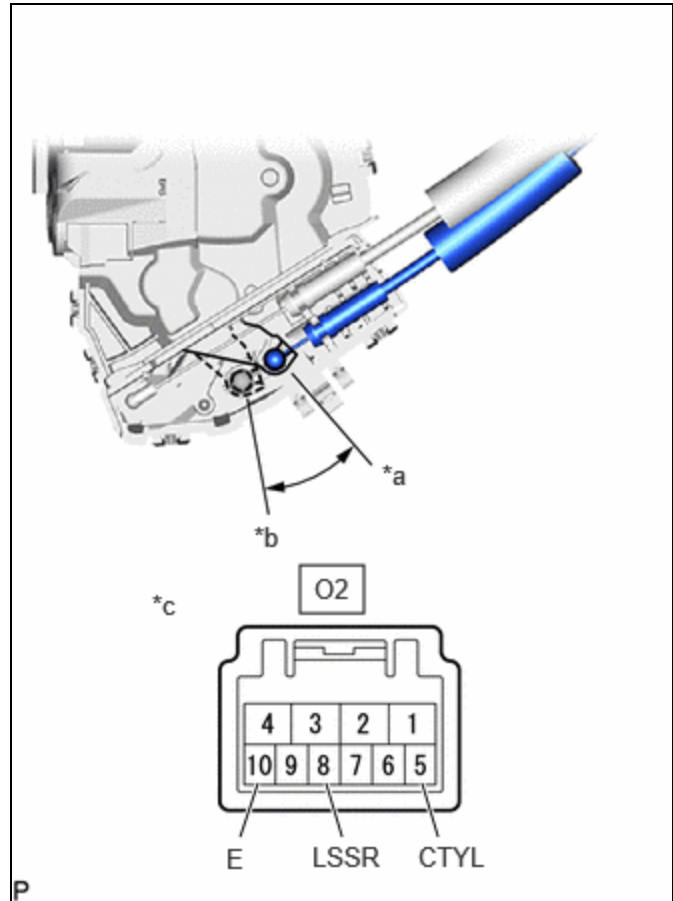
**EWD INFO**

[Click Location & Routing\(O2\)](#)

[Click Connector\(O2\)](#)

TESTER CONNECTION	CONDITION	SPECIFIED CONDITION	RESULT
O2-10 (E) - O2-8 (LSSR)	Locked	10 kΩ or higher	kΩ
O2-10 (E) - O2-8 (LSSR)	Unlocked	Below 1 Ω	Ω

If the result is not as specified, replace the front door lock with motor assembly LH.



*a	Unlock
*b	Lock
*c	Component without harness connected (Front Door Lock with Motor Assembly LH)

(c) Check the operation of the door courtesy switch.

(1) Measure the resistance according to the value(s) in the table below.

Standard Resistance:

**EWD INFO**

[Click Location & Routing\(O2\)](#)

[Click Connector\(O2\)](#)

TESTER CONNECTION	CONDITION	SPECIFIED CONDITION	RESULT
O2-5 (CTYL) - O2-10 (E)	Lock	10 kΩ or higher	kΩ
O2-5 (CTYL) - O2-10 (E)	Unlock	Below 1 Ω	Ω

If the result is not as specified, replace the front door lock with motor assembly LH.

(d) Check the resistance of the lock and unlock switch.

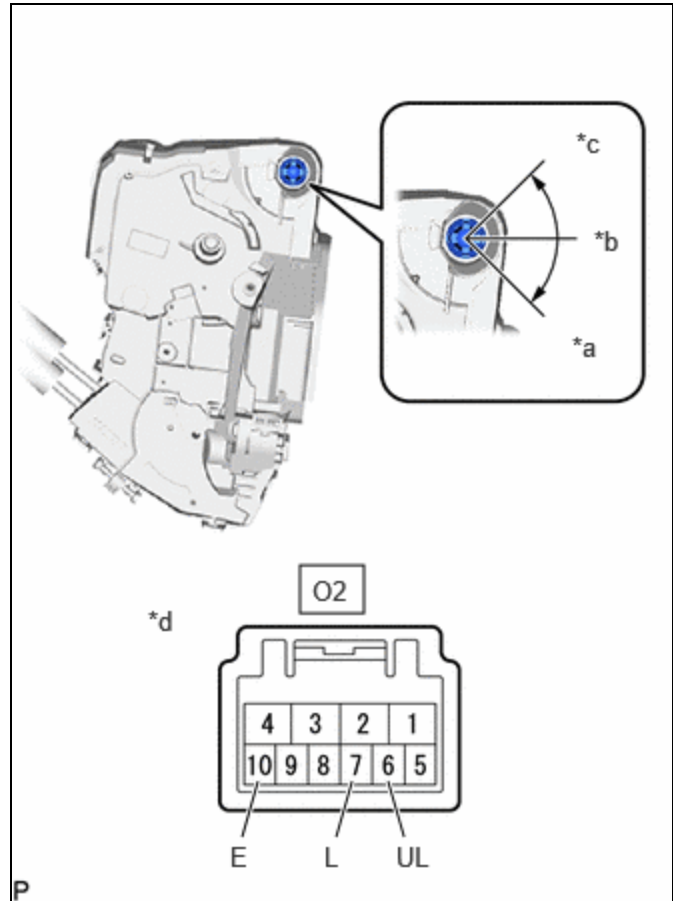
(1) Measure the resistance according to the value(s) in the table below.

Standard Resistance:



[Click Location & Routing\(O2\)](#)

[Click Connector\(O2\)](#)



TESTER CONNECTION	CONDITION	SPECIFIED CONDITION	RESULT
O2-7 (L) - O2-10 (E)	Lock	Below 1 Ω	Ω
O2-7 (L) - O2-10 (E)	Neutral	10 kΩ or higher	kΩ
O2-6 (UL) - O2-10 (E)	Unlock	Below 1 Ω	Ω
O2-6 (UL) - O2-10 (E)	Neutral	10 kΩ or higher	kΩ

If the result is not as specified, replace the front door lock with motor assembly LH.

*a	Unlock
*b	Neutral
*c	Lock
*d	Component without harness connected (Front Door Lock with Motor Assembly LH)

## 2. INSPECT FRONT DOOR LOCK WITH MOTOR ASSEMBLY RH

(a) Check the operation of the door lock motor.

(1) Apply battery voltage and check the operation of the door lock motor.

OK:



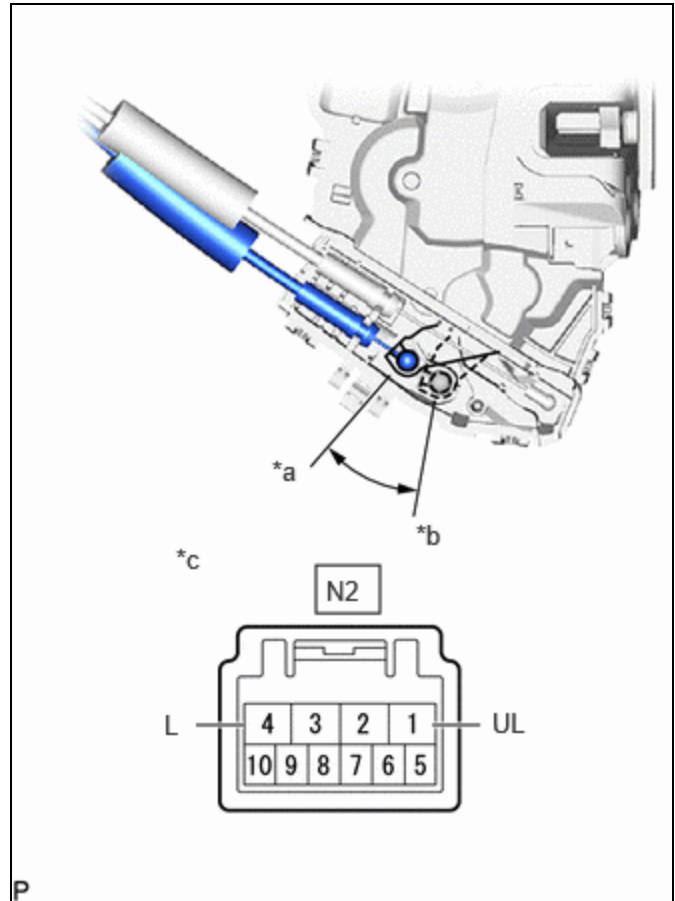
[Click Location & Routing\(N2\)](#)

[Click Connector\(N2\)](#)

TESTER CONNECTION	RESULT
N2-4 (L) - Auxiliary battery positive (+) N2-1 (UL) - Auxiliary battery negative (-)	Locks
N2-1 (UL) - Auxiliary battery positive (+)	Unlocks

TESTER CONNECTION	RESULT
N2-4 (L) - Auxiliary battery negative (-)	

If the result is not as specified, replace the front door lock with motor assembly RH.



*a	Unlock
*b	Lock
*c	Component without harness connected (Front Door Lock with Motor Assembly RH)

(b) Check the operation of the door unlock detection switch.

(1) Measure the resistance according to the value(s) in the table below.

Standard Resistance:

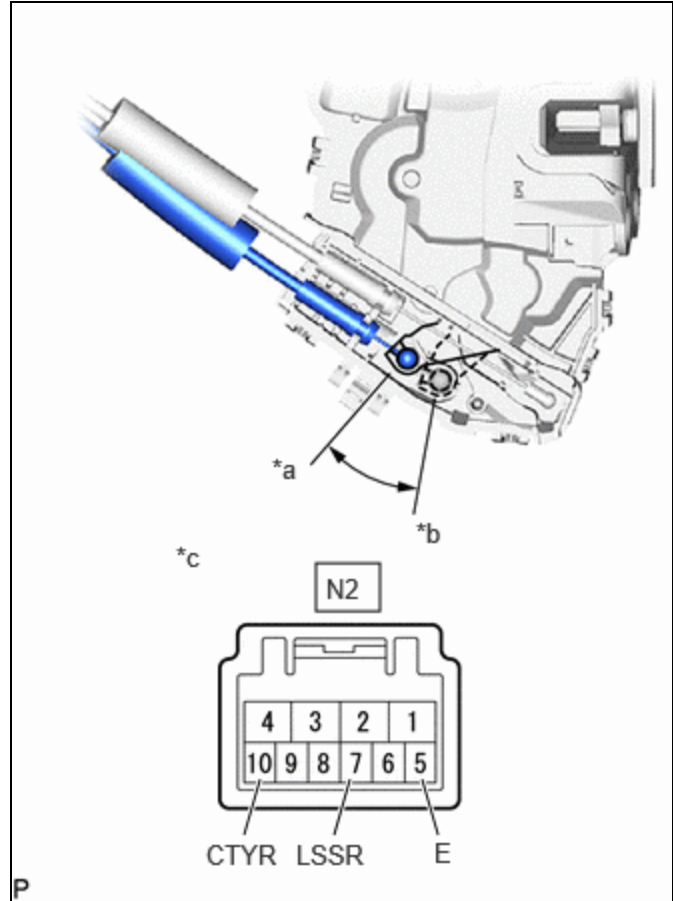


[Click Location & Routing\(N2\)](#)

[Click Connector\(N2\)](#)

TESTER CONNECTION	CONDITION	SPECIFIED CONDITION	RESULT
N2-7 (LSSR) - N2-5 (E)	Locked	10 kΩ or higher	kΩ
N2-7 (LSSR) - N2-5 (E)	Unlocked	Below 1 Ω	Ω

If the result is not as specified, replace the front door lock with motor assembly RH.



*a	Unlock
*b	Lock
*c	Component without harness connected (Front Door Lock with Motor Assembly RH)

(c) Check the operation of the door courtesy switch.

(1) Measure the resistance according to the value(s) in the table below.

Standard Resistance:



[Click Location & Routing\(N2\)](#)

[Click Connector\(N2\)](#)

TESTER CONNECTION	CONDITION	SPECIFIED CONDITION	RESULT
N2-10 (CTYR) - N2-5 (E)	Lock	10 kΩ or higher	kΩ
N2-10 (CTYR) - N2-5 (E)	Unlock	Below 1 Ω	Ω

If the result is not as specified, replace the front door lock with motor assembly RH.

