

<b>Last Modified:</b> 12-04-2024	6.11:8.1.0	<b>Doc ID:</b> RM10000002A0W6
<b>Model Year Start:</b> 2023	<b>Model:</b> Prius Prime	<b>Prod Date Range:</b> [12/2022 - ]
<b>Title:</b> DOOR LOCK: DOOR LOCK RELEASE MOTOR (for Rear Side): INSTALLATION; 2023 - 2024 MY Prius Prius Prime [12/2022 - ]		

## INSTALLATION

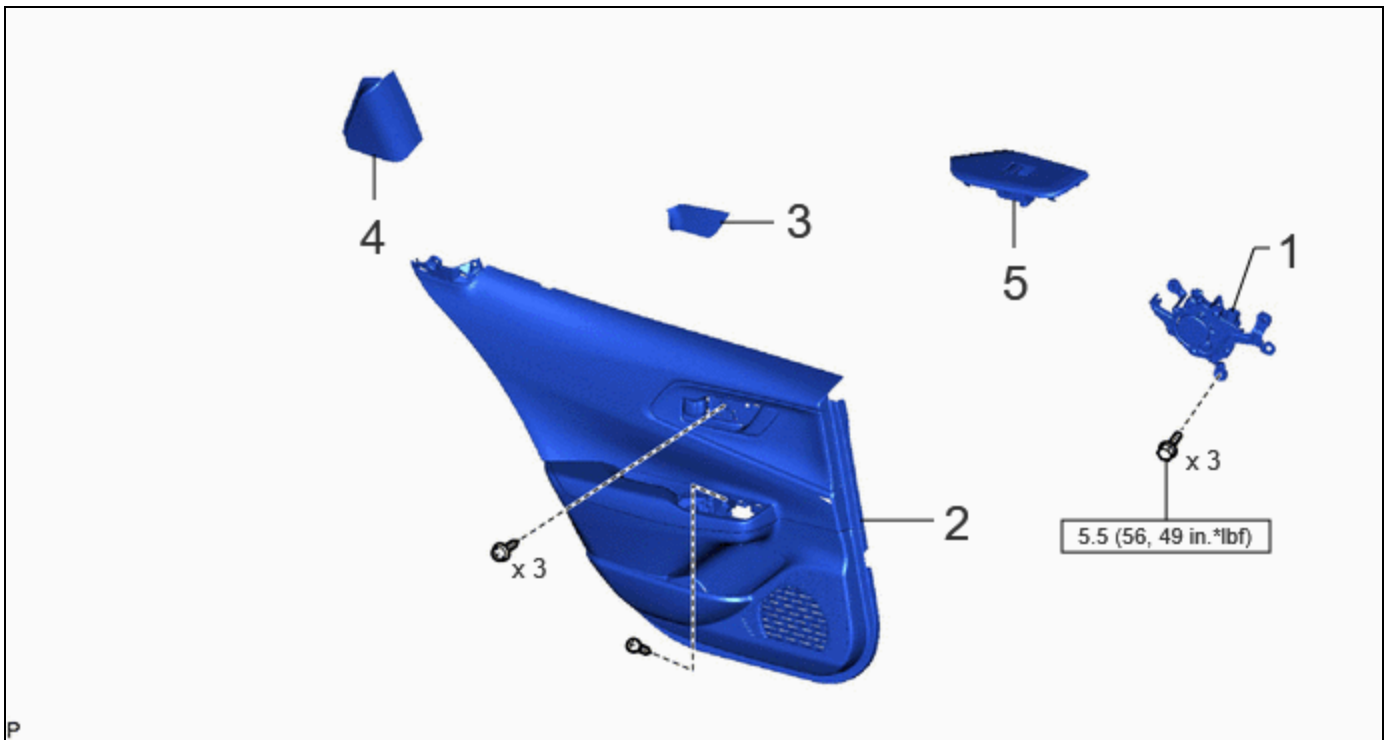
### CAUTION / NOTICE / HINT

**HINT:**




- Use the same procedure for the RH side and LH side.
- The following procedure is for the LH side.


### CAUTION / NOTICE / HINT

#### COMPONENTS (INSTALLATION)



	PROCEDURE	PART NAME CODE			
1	DOOR LOCK RELEASE MOTOR ASSEMBLY	85620J	-	-	-
2	REAR DOOR TRIM BOARD SUB-ASSEMBLY	67604	-	-	-
3	REAR DOOR TRIM UPPER COVER	67782D	-	-	-
4	REAR DOOR REAR FRAME BRACKET	67498	-	-	-

	PROCEDURE	PART NAME CODE			
5	REAR POWER WINDOW REGULATOR SWITCH ASSEMBLY WITH REAR DOOR ARMREST BASE PANEL	-	-	-	-

	N*m (kgf*cm, ft.*lbf): Specified torque	-	-
---	---	---	---

## **PROCEDURE**

### **1. INSTALL DOOR LOCK RELEASE MOTOR ASSEMBLY**

Click here [INFO](#)

### **2. INSTALL REAR DOOR TRIM BOARD SUB-ASSEMBLY**

### **3. INSTALL REAR DOOR TRIM UPPER COVER**

### **4. INSTALL REAR DOOR REAR FRAME BRACKET**

### **5. INSTALL REAR POWER WINDOW REGULATOR SWITCH ASSEMBLY WITH REAR DOOR ARMREST BASE PANEL**

