

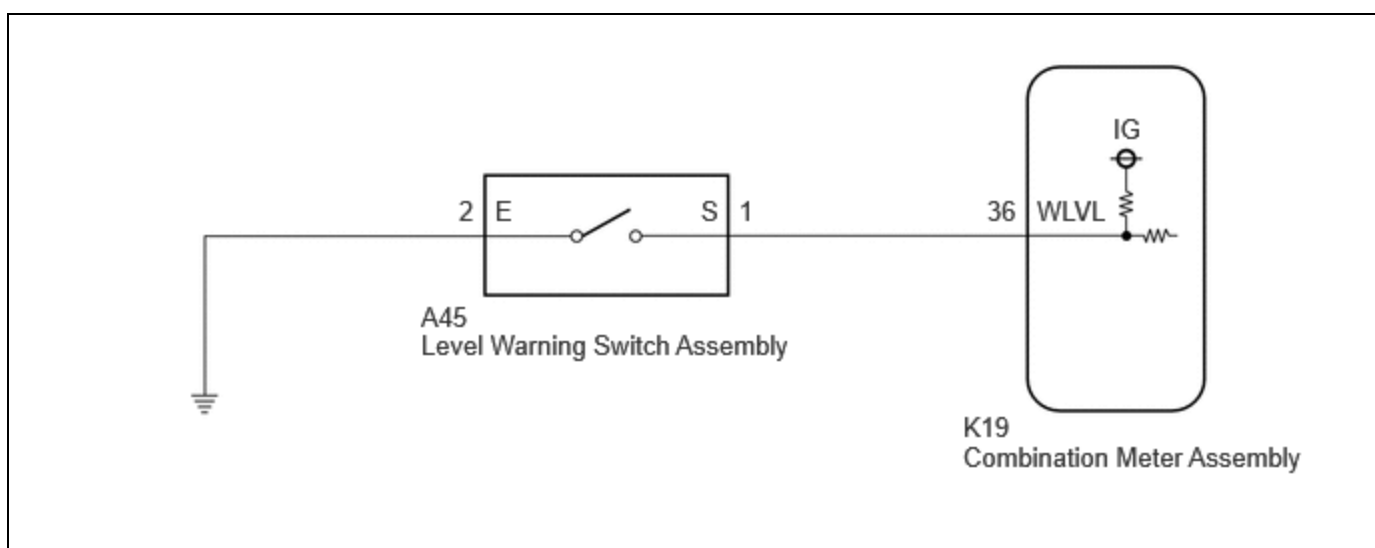
Last Modified: 12-04-2024	6.11:8.1.0	Doc ID: RM100000029V4Q
Model Year Start: 2023	Model: Prius Prime	Prod Date Range: [12/2022 -]
Title: WIPER / WASHER: WIPER AND WASHER SYSTEM: Washer Fluid Level Warning Switch Circuit; 2023 - 2024 MY Prius Prius Prime [12/2022 -]		

Washer Fluid Level Warning Switch Circuit

DESCRIPTION

When the washer fluid level is lower than a certain level, a warning message is displayed on the combination meter assembly.

WIRING DIAGRAM



CAUTION / NOTICE / HINT

NOTICE:

When replacing the combination meter assembly, always replace it with a new one. If a combination meter assembly which was installed to another vehicle is used, the information stored in it will not match the information from the vehicle and a DTC may be stored.

HINT:

The wiper and washer system uses the CAN and CXPI communication system. First, confirm that there is no malfunction in the CAN and CXPI communication system.

PROCEDURE

1. READ VALUE USING GTS

(a) Read the Data List according to the display on the GTS.

Body Electrical > Combination Meter > Data List

TESTER DISPLAY	MEASUREMENT ITEM	RANGE	NORMAL CONDITION	DIAGNOSTIC NOTE
Washer Level Warning Switch	Washer fluid level warning switch status	Washer Level Switch ON, Washer Level Switch OFF or Unknown	Washer Level Switch ON: Washer fluid level not low Washer Level Switch OFF: Washer fluid level low Unknown: Washer fluid level not detected	-

Body Electrical > Combination Meter > Data List

TESTER DISPLAY
Washer Level Warning Switch

OK:

The GTS display changes correctly in response to the washer fluid level warning switch status.

OK ► REPLACE COMBINATION METER ASSEMBLY

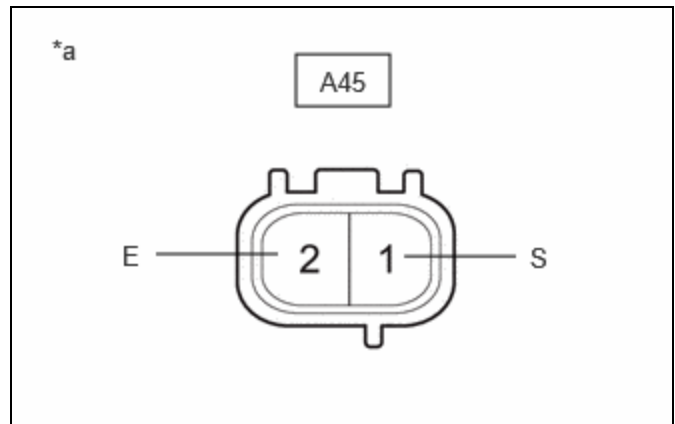
NG



2.	INSPECT LEVEL WARNING SWITCH
-----------	-------------------------------------

(a) Inspect the level warning switch assembly.

(1) This check should be performed with the level warning switch installed to the windshield washer jar assembly and fill the washer jar with washer fluid.



*a	Component without harness connected (Level Warning Switch Assembly)
----	---

(2) Measure the resistance according to the value(s) in the table below.

Standard Resistance:



[Click Location & Routing\(A45\)](#)

[Click Connector\(A45\)](#)

TESTER CONNECTION	CONDITION	SPECIFIED CONDITION
A45-1(S) - A45-2(E)	Fluid volume is 600 to 800 cc (36.6 to 48.8 cu. in.) or higher*	10 kΩ or higher
	Fluid volume is 600 to 800 cc (36.6 to 48.8 cu. in.) or lower*	Below 1 Ω

HINT:

- Perform checks by reducing the amount of washer fluid.
- *: The level warning switch assembly begins operating when the fluid volume is 600 to 800 cc (36.6 to 48.8 cu. in.) depending on the vehicle condition.

NG **REPLACE WINDSHIELD WASHER JAR ASSEMBLY**

OK



3.	CHECK HARNESS AND CONNECTOR (LEVEL WARNING SWITCH ASSEMBLY - COMBINATION METER ASSEMBLY)
-----------	---

(a) Disconnect the K19 combination meter assembly connector.

(b) Measure the resistance according to the value(s) in the table below.

Standard Resistance:



[Click Location & Routing\(A45,K19\)](#)

[Click Connector\(A45\)](#)

[Click Connector\(K19\)](#)

TESTER CONNECTION	CONDITION	SPECIFIED CONDITION
A45-1 (S) - K19-36 (WLVL)	Always	Below 1 Ω
A45-1 (S) or K19-36 (WLVL) - Body ground	Always	10 kΩ or higher

NG **REPAIR OR REPLACE HARNESS OR CONNECTOR**

OK



4.

CHECK HARNESS AND CONNECTOR (LEVEL WARNING SWITCH ASSEMBLY - BODY GROUND)

(a) Measure the resistance according to the value(s) in the table below.

Standard Resistance:


[Click Location & Routing\(A45\)](#)
[Click Connector\(A45\)](#)

TESTER CONNECTION	CONDITION	SPECIFIED CONDITION
A45-2 (E) - Body ground	Always	Below 1 Ω

OK ► REPLACE COMBINATION METER ASSEMBLY

NG ► REPAIR OR REPLACE HARNESS OR CONNECTOR
