

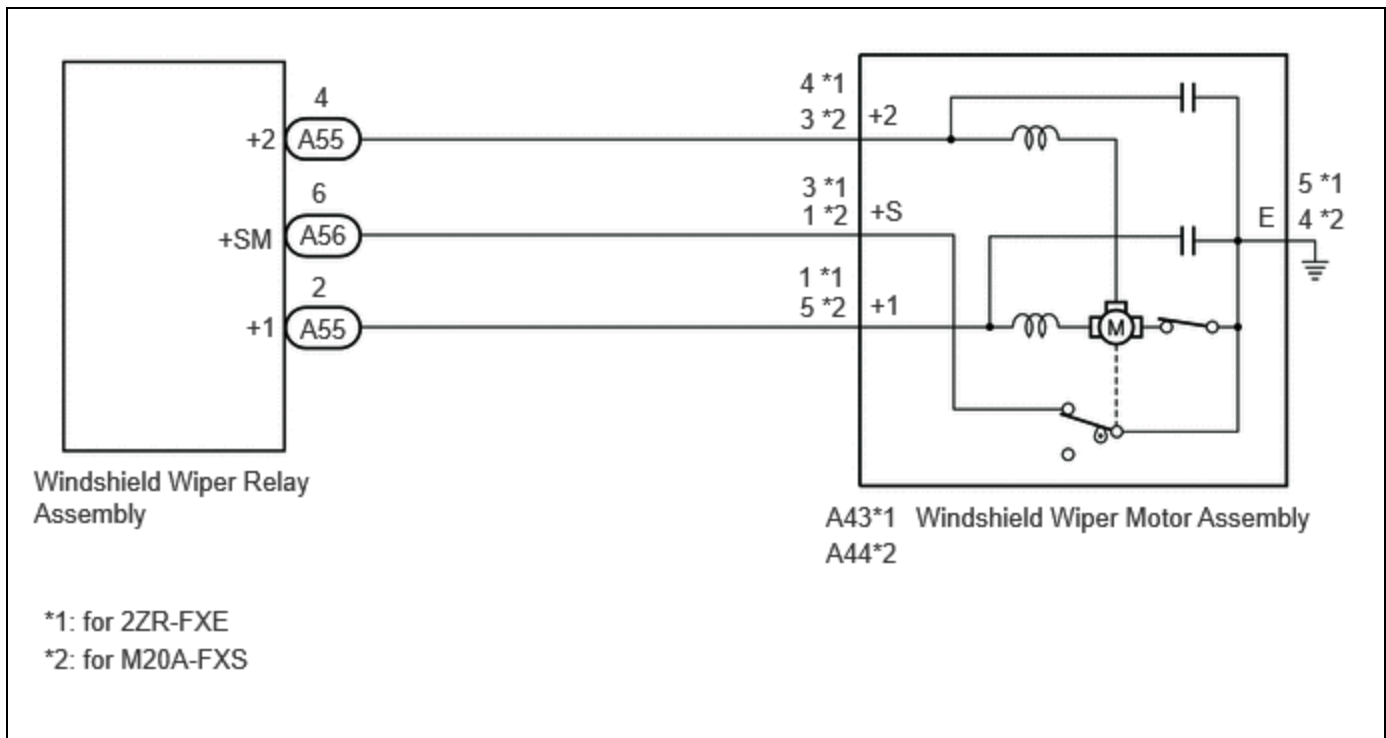
<b>Last Modified:</b> 12-04-2024	6.11:8.1.0	<b>Doc ID:</b> RM1000000029V4M
<b>Model Year Start:</b> 2023	<b>Model:</b> Prius Prime	<b>Prod Date Range:</b> [12/2022 - ]
<b>Title:</b> WIPER / WASHER: WIPER AND WASHER SYSTEM: Front Wiper Motor Circuit; 2023 - 2024 MY Prius Prius Prime [12/2022 - ]		

**Front Wiper Motor Circuit**

**DESCRIPTION**

The windshield wiper relay assembly controls the windshield wiper motor assembly through this circuit.

**WIRING DIAGRAM**



**PROCEDURE**

<b>1.</b>	<b>PERFORM ACTIVE TEST USING GTS</b>
-----------	--------------------------------------

(a) Perform the Active Test according to the display on the GTS.

**Body Electrical > Main Body > Active Test**

TESTER DISPLAY	MEASUREMENT ITEM	CONTROL RANGE	DIAGNOSTIC NOTE
Front Wiper Lo Operation	Function to operate the windshield wiper motor assembly in LO	OFF or ON	-

TESTER DISPLAY	MEASUREMENT ITEM	CONTROL RANGE	DIAGNOSTIC NOTE
Front Wiper Hi Operation	Function to operate the windshield wiper motor assembly in HI	OFF or ON	-

**Body Electrical > Main Body > Active Test**

TESTER DISPLAY
Front Wiper Lo Operation

**Body Electrical > Main Body > Active Test**

TESTER DISPLAY
Front Wiper Hi Operation

OK:

Windshield wiper motor assembly operates normally.

**OK** ▶ **PROCEED TO NEXT SUSPECTED AREA SHOWN IN PROBLEM SYMPTOMS TABLE**

**NG**



<b>2.</b>	<b>INSPECT WINDSHIELD WIPER MOTOR ASSEMBLY</b>
-----------	--

(a) Remove the windshield wiper motor assembly.

Click here [INFO](#)

(b) Inspect the windshield wiper motor assembly.

Click here [INFO](#)

**NG** ▶ **REPLACE WINDSHIELD WIPER MOTOR ASSEMBLY**

**OK**



### 3. CHECK HARNESS AND CONNECTOR (WINDSHIELD WIPER RELAY ASSEMBLY - WINDSHIELD WIPER MOTOR ASSEMBLY)

(a) Disconnect the A55 and A56 windshield wiper relay assembly connectors.

(b) Measure the resistance according to the value(s) in the table below.

Standard Resistance:

for 2ZR-FXE



[Click Location & Routing\(A55,A43,A56\)](#)

[Click Connector\(A55\)](#)

[Click Connector\(A43\)](#)

[Click Connector\(A56\)](#)

TESTER CONNECTION	CONDITION	SPECIFIED CONDITION
A55-2 (+1) - A43-1 (+1)	Always	Below 1 $\Omega$
A55-4 (+2) - A43-4 (+2)	Always	Below 1 $\Omega$
A56-6 (+SM) - A43-3 (+S)	Always	Below 1 $\Omega$
A55-2 (+1) or A43-1 (+1) - Body ground	Always	10 k $\Omega$ or higher
A55-4 (+2) or A43-4 (+2) - Body ground	Always	10 k $\Omega$ or higher
A56-6 (+SM) or A43-3 (+S) - Body ground	Always	10 k $\Omega$ or higher

Standard Resistance:

for M20A-FXS



[Click Location & Routing\(A55,A44,A56\)](#)

[Click Connector\(A55\)](#)

[Click Connector\(A44\)](#)

[Click Connector\(A56\)](#)

TESTER CONNECTION	CONDITION	SPECIFIED CONDITION
A55-2 (+1) - A44-5 (+1)	Always	Below 1 $\Omega$
A55-4 (+2) - A44-3 (+2)	Always	Below 1 $\Omega$
A56-6 (+SM) - A44-1 (+S)	Always	Below 1 $\Omega$
A55-2 (+1) or A44-5 (+1) - Body ground	Always	10 k $\Omega$ or higher
A55-4 (+2) or A44-3 (+2) - Body ground	Always	10 k $\Omega$ or higher
A56-6 (+SM) or A44-1 (+S) - Body ground	Always	10 k $\Omega$ or higher

**NG** REPAIR OR REPLACE HARNESS OR CONNECTOR

**OK**



4.

**CHECK HARNESS AND CONNECTOR (WINDSHIELD WIPER MOTOR ASSEMBLY - BODY GROUND)**

(a) Measure the resistance according to the value(s) in the table below.

Standard Resistance:

for **2ZR-FXE**



[Click Location & Routing\(A43\)](#)

[Click Connector\(A43\)](#)

TESTER CONNECTION	CONDITION	SPECIFIED CONDITION
A43-5 (E) - Body ground	Always	Below 1 $\Omega$

Standard Resistance:

for **M20A-FXS**



[Click Location & Routing\(A44\)](#)

[Click Connector\(A44\)](#)

TESTER CONNECTION	CONDITION	SPECIFIED CONDITION
A44-4 (E) - Body ground	Always	Below 1 $\Omega$

**OK** **REPLACE WINDSHIELD WIPER RELAY ASSEMBLY**

**NG** **REPAIR OR REPLACE HARNESS OR CONNECTOR**

