

Last Modified: 12-04-2024	6.11:8.1.0	Doc ID: RM1000000029OE1
Model Year Start: 2023	Model: Prius Prime	Prod Date Range: [12/2022 -]
Title: WIPER / WASHER: RELAY: ON-VEHICLE INSPECTION; 2023 - 2024 MY Prius Prius Prime [12/2022 -]		

ON-VEHICLE INSPECTION

PROCEDURE

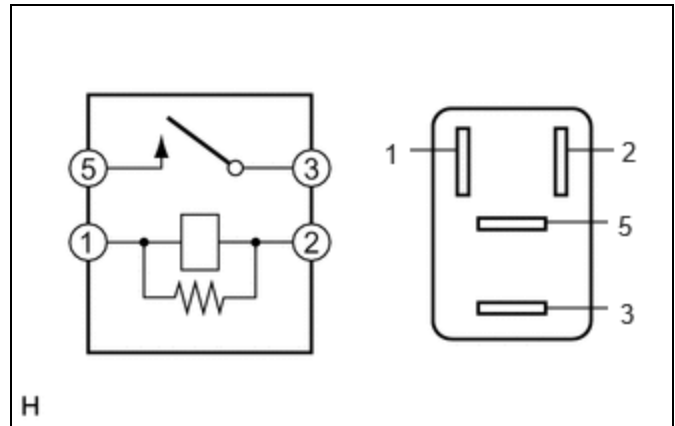
1. INSPECT WINDSHIELD WIPER RELAY

(a) Check the resistance.

(1) Measure the resistance according to the value(s) in the table below.

Standard Resistance:

TESTER CONNECTION	CONDITION	SPECIFIED CONDITION	RESULT
3 - 5	Auxiliary battery voltage not applied between terminals 1 and 2	10 k Ω or higher	k Ω
3 - 5	Auxiliary battery voltage applied between terminals 1 and 2	Below 1 Ω	Ω



If the result is not as specified, replace the windshield wiper relay.

