

<b>Last Modified:</b> 12-04-2024	6.11:8.1.0	<b>Doc ID:</b> RM100000029X5Z
<b>Model Year Start:</b> 2023	<b>Model:</b> Prius Prime	<b>Prod Date Range:</b> [12/2022 - ]
<b>Title:</b> WINDOW / GLASS: POWER WINDOW CONTROL SYSTEM: OPERATION CHECK; 2023 - 2024 MY Prius Prius Prime [12/2022 - ]		

## OPERATION CHECK

### NOTICE:

When troubleshooting a function, first make sure that the function is set to the default setting.

Click here [INFO](#)

### CHECK WINDOW LOCK FUNCTION

#### HINT:

Before performing the window lock switch operation check, make sure that the window lock switch is off (the switch indicator is off).



- (a) Turn the window lock switch of the multiplex network master switch assembly on (the switch indicator is on) and check that the front passenger and rear windows are disabled.

OK:

Front passenger and rear windows are disabled.

- (b) Turn the window lock switch off (the switch indicator is off) and check that the front passenger and rear windows can be operated normally.

OK:

Front passenger and rear windows operate normally.

### CHECK MANUAL UP / DOWN FUNCTION

- (a) Check that the driver door power window operates as follows:

**OK**

CONDITION	MASTER SWITCH	SWITCH OPERATION	POWER WINDOW
Ignition switch ON	Driver door	Pulled halfway up	UP (Closes)
		Pushed halfway down	DOWN (Opens)

- (b) Check that the front passenger door power window and rear door power windows operate as follows:

**OK**

CONDITION	REGULATOR SWITCH	SWITCH OPERATION	POWER WINDOW
<ul style="list-style-type: none"> <li>Ignition switch ON</li> <li>Window lock switch off</li> </ul>	Front passenger door	Pulled halfway up	UP (Closes)
		Pushed halfway down	DOWN (Opens)
	Rear LH door	Pulled halfway up	UP (Closes)
		Pushed halfway down	DOWN (Opens)
	Rear RH door	Pulled halfway up	UP (Closes)
		Pushed halfway down	DOWN (Opens)

### CHECK AUTO UP / DOWN FUNCTION

(a) Check that the driver door power window operates as follows:

**OK**

CONDITION	MASTER SWITCH	SWITCH OPERATION	POWER WINDOW
Ignition switch ON	Driver door	Pulled up (One touch operation)	AUTO UP (Closes)
		Pushed down (One touch operation)	AUTO DOWN (Opens)

(b) Check that the front passenger door power window and rear door power windows operate as follows:

**OK**

CONDITION	REGULATOR SWITCH	SWITCH OPERATION	POWER WINDOW
<ul style="list-style-type: none"> <li>Ignition switch ON</li> <li>Window lock switch off</li> </ul>	Front passenger door	Pulled up (One touch operation)	AUTO UP (Closes)
		Pushed down (One touch operation)	AUTO DOWN (Opens)
	Rear LH door	Pulled up (One touch operation)	AUTO UP (Closes)
		Pushed down (One touch operation)	AUTO DOWN (Opens)
	Rear RH door	Pulled up (One touch operation)	AUTO UP (Closes)
		Pushed down (One touch operation)	AUTO DOWN (Opens)

### CHECK REMOTE MANUAL UP / DOWN FUNCTION

(a) Check that the front passenger door power window and rear door power windows operate as follows:

**OK**

CONDITION	MASTER SWITCH	SWITCH OPERATION	POWER WINDOW
Ignition switch ON	Front passenger door	Pulled halfway up	UP (Closes)
		Pushed halfway down	DOWN (Opens)
	Rear LH door	Pulled halfway up	UP (Closes)
		Pushed halfway down	DOWN (Opens)
	Rear RH door	Pulled halfway up	UP (Closes)
		Pushed halfway down	DOWN (Opens)

**CHECK REMOTE AUTO UP / DOWN FUNCTION**

(a) Check that the front passenger door power window and rear door power windows operate as follows:

**OK**

CONDITION	MASTER SWITCH	SWITCH OPERATION	POWER WINDOW
Ignition switch ON	Front passenger door	Pulled up (One touch operation)	AUTO UP (Closes)
		Pushed down (One touch operation)	AUTO DOWN (Opens)
	Rear LH door	Pulled up (One touch operation)	AUTO UP (Closes)
		Pushed down (One touch operation)	AUTO DOWN (Opens)
	Rear RH door	Pulled up (One touch operation)	AUTO UP (Closes)
		Pushed down (One touch operation)	AUTO DOWN (Opens)

**CHECK KEY-OFF OPERATION FUNCTION**

(a) Check that each power window can be operated with the multiplex network master switch assembly, power window regulator switch assembly or rear power window regulator switch assembly after the ignition switch is turned off.

**HINT:**

If the window lock switch is on, the power windows cannot be operated using the power window regulator switch assembly and rear power window regulator switch assemblies. Therefore, turn the window lock switch off before checking the power window operation.

(b) Check that the key-off operation function does not operate immediately after the driver door or front passenger door is opened.

**HINT:**

If a power window is being operated by auto operation while the key-off operation function is on, and the driver door or front passenger door is opened, the power window will continue operating.

(c) Check that all of the power windows cannot be operated after more than approximately 45 seconds have elapsed since the ignition switch is turned off.

**CHECK WIRELESS TRANSMITTER-LINKED FUNCTION\***

\*: This function is set through a customize setting, as it is off by default.

(a) Check that all of the power windows operate as follows when operating the key:

**OK**

CONDITION	TRANSMITTER OPERATION	POWER WINDOW
No key is inside vehicle, and all doors are closed and locked	UNLOCK switch pressed for more than 3 seconds	DOWN (Opens)
	UNLOCK switch released	STOP

**CHECK KEY-LINKED FUNCTION\***

\*: This function is set through a customize setting, as it is off by default.

(a) Check that all of the power windows operate as follows:

**OK**

CONDITION	DOOR KEY CYLINDER OPERATION	POWER WINDOW
No key is inside vehicle, and all doors are closed	Turned to the lock position and held for more than 2 seconds	UP (Closes)
	Returned to neutral position	STOP
	Turned to the unlock position and held for more than 2 seconds	DOWN (Opens)
	Returned to neutral position	STOP

### CHECK WINDOW OPEN WARNING FUNCTION

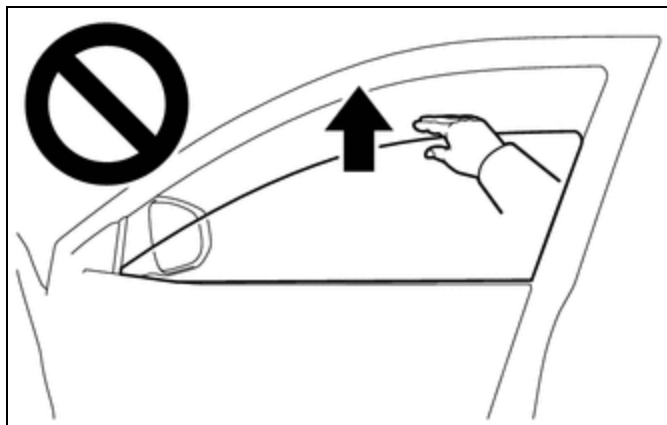
- (a) Open a window using the power window switch.
- (b) Turn the ignition switch from ON to off, open the driver door with the Key in the vehicle and check that message is displayed on the multi-information display in the combination meter assembly.

### CHECK JAM PROTECTION FUNCTION

- (a) Check the basic function.

#### CAUTION:

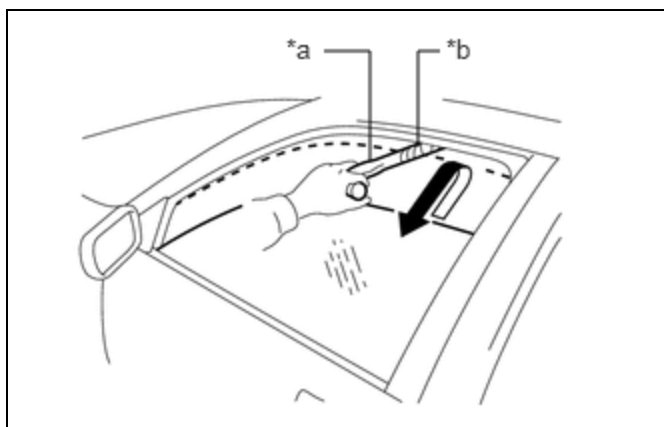
Do not put your fingers between the door frame and door glass to check the jam protection function. Also, prevent any part of your body from being caught during inspection.



#### HINT:

The jam protection function is operative during both the auto up and manual up operations while the hybrid control system is started or the ignition switch is ON, and also for approximately 45 seconds after the ignition switch is turned off.

- (1) Fully open the power window.



*a	Check Jig
*b	Cloth

- (2) Set a check jig wrapped with a piece of cloth near the power window fully closed position.
- (3) Operate the auto up or manual up function and check that the power window stops and goes down after the check jig is caught between the door glass and door frame, and stops.

#### HINT:

- If a manual up operation is performed from the seat, the door glass will lower approximately 45 mm (1.7717 in.) from the point it contacts the end of the hammer or continue lowering for approximately 5 seconds and then stop.
- If a manual up operation is not performed from the seat, the door glass will lower approximately 145 mm (5.7087 in.) from the point it contacts the end of the hammer or continue lowering for approximately 5 seconds and then stop.
- After the jam protection function operates when an auto up or manual up operation is performed, the jam protection function will not operate when the manual up operation is performed again within approximately 4 seconds.
- After the catch protection function has operated, the auto up function will not operate the first time the power window auto up switch is operated. The auto up function will operate normally after the first power window switch operation.

- (4) While the power window is moving down, check that the door glass cannot be raised using the power window switch.

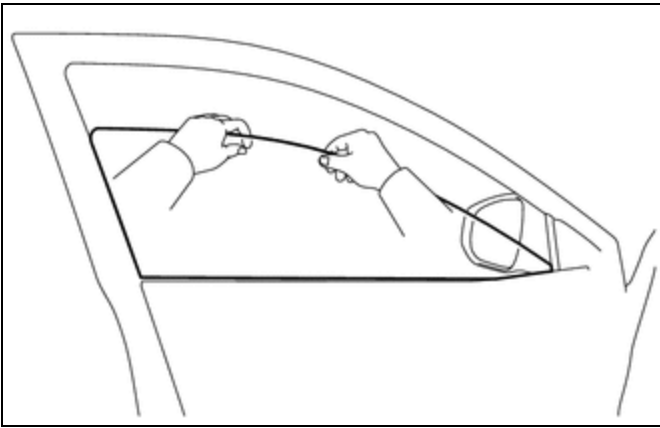
#### CHECK CATCH PROTECTION FUNCTION

- (a) Check the basic function.

#### HINT:

The catch protection function is operative during both the auto down and manual down operations while the hybrid control system is started or the ignition switch is ON, and also for approximately 45 seconds after the ignition switch is turned off.

- (1) Fully close all of the power windows.



(2) Operate the auto down or manual down function to open the power window, grasp the upper edge of the door glass with one or two hands and check that the power window stops.

**HINT:**

After the catch protection function has operated when an auto down or manual down operation was performed, the catch protection function will not operate if the manual down operation is performed again within approximately 4 seconds.

