

Last Modified: 12-04-2024	6.11:8.1.0	Doc ID: RM100000029X6J
Model Year Start: 2023	Model: Prius Prime	Prod Date Range: [12/2022 -]
Title: WINDOW / GLASS: POWER WINDOW CONTROL SYSTEM: B232096; RL-Door P/W Motor Component Internal Failure; 2023 - 2024 MY Prius Prius Prime [12/2022 -]		

DTC	B232096	RL-Door P/W Motor Component Internal Failure
------------	----------------	---

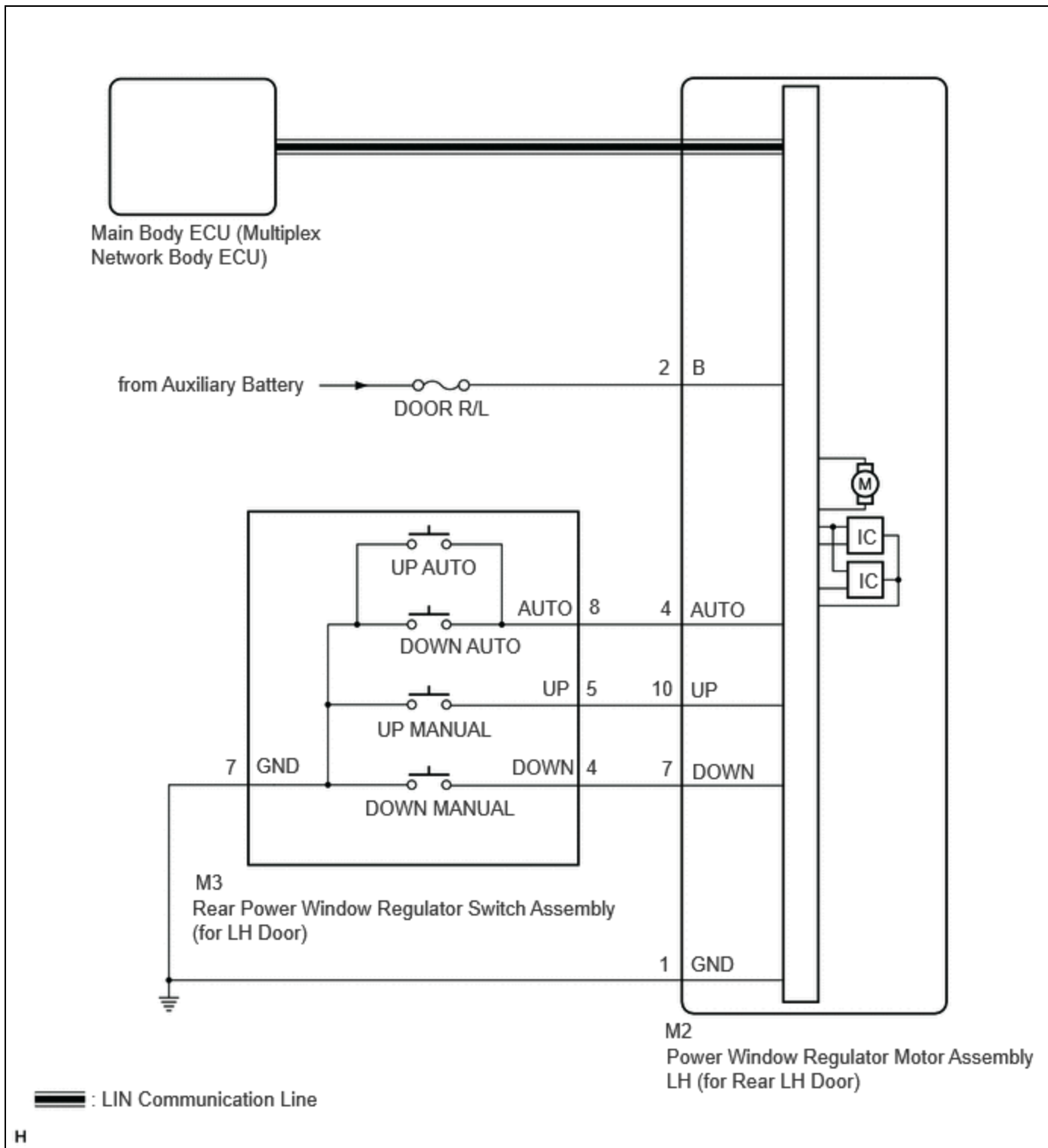
DESCRIPTION

The main body ECU (multiplex network body ECU) communicates with the power window regulator motor assembly LH (for rear LH door) via LIN communication.

This DTC is stored when a power window regulator motor assembly LKH (for rear LH door) is malfunctioning, or the ECU built into the power window regulator motor assembly LH (for rear LH door) determines that the fully closed power window position has deviated approximately 20 mm (0.787 in.) or more from the normal position.

DTC NO.	DETECTION ITEM	DTC DETECTION CONDITION	TROUBLE AREA	DTC OUTPUT FROM	PRIORITY
B232096	RL-Door P/W Motor Component Internal Failure	<p>Either condition is met:</p> <ol style="list-style-type: none"> Power window regulator motor assembly (for rear LH door) is malfunctioning ECU in power window regulator motor assembly (for rear LH door) determines that fully closed power window position has deviated approx. 20 mm (0.787 in.) or more from normal position 	<ul style="list-style-type: none"> Incorrect installation of power window components Overheated power window regulator motor assembly LH (for rear LH door) Power window regulator motor assembly LH (for rear LH door) Wire harness or connector 	Main Body	A

WIRING DIAGRAM



CAUTION / NOTICE / HINT

NOTICE:

- Inspect the fuses for circuits related to this system before performing the following procedure.
- If a power window regulator motor assembly LH (for rear LH door) has been replaced with a new one, initialize the power window control system.

Click here [INFO](#)

- If a power window regulator motor assembly LH (for rear LH door) and door window regulator sub-assembly have been removed and installed, or if a power window regulator motor assembly LH (for rear LH door) was reused when a door glass or door glass run was replaced, initialize the power window control system.

[Click here](#) INFO

- The power window control system uses the LIN communication system. Inspect the communication function by following How to Proceed with Troubleshooting. Troubleshoot the power window control system after confirming that the communication system is functioning properly.

[Click here](#) INFO

PROCEDURE

1.	CLEAR DTC
-----------	------------------

(a) Clear the DTCs.

Body Electrical > Main Body > Clear DTCs

NEXT



2.	CHECK FOR DTC
-----------	----------------------

(a) Check for DTCs.

Body Electrical > Main Body > Trouble Codes

Result	PROCEED TO
B232096 is output	A
B232096 is not output	B

B **USE SIMULATION METHOD TO CHECK**

A



3.	CHECK HARNESS AND CONNECTOR (POWER WINDOW REGULATOR MOTOR ASSEMBLY LH (for Rear LH Door) - AUXILIARY BATTERY AND BODY GROUND)
-----------	--

Pre-procedure1

(a) Disconnect the M2 power window regulator motor assembly LH (for rear LH door) connector.

Procedure1

(b) Measure the voltage and resistance according to the value(s) in the table below.

Standard Voltage:



[Click Location & Routing\(M2\)](#)

[Click Connector\(M2\)](#)

TESTER CONNECTION	CONDITION	SPECIFIED CONDITION	RESULT
M2-2 (B) - Body ground	Ignition switch off	11 to 14 V	V

Standard Resistance:



[Click Location & Routing\(M2\)](#)

[Click Connector\(M2\)](#)

TESTER CONNECTION	CONDITION	SPECIFIED CONDITION	RESULT
M2-1 (GND) - Body ground	Always	Below 1 Ω	Ω

Post-procedure1

(c) None

NG **REPAIR OR REPLACE HARNESS OR CONNECTOR**



4.	PERFORM ACTIVE TEST USING GTS
-----------	--------------------------------------

(a) Perform the Active Test according to the display on the GTS.

Body Electrical > Main Body > Active Test

TESTER DISPLAY	MEASUREMENT ITEM	CONTROL RANGE	DIAGNOSTIC NOTE
RL Door Power Window UP	Rear LH door power window up activate	OFF/ON	-
RL Door Power Window DOWN	Rear LH door power window down activate	OFF/ON	-

Body Electrical > Main Body > Active Test

TESTER DISPLAY
RL Door Power Window UP

Body Electrical > Main Body > Active Test

TESTER DISPLAY
RL Door Power Window DOWN

HINT:

Up and down movement does not occur if the arrow is not pressed and held.

OK:

Rear LH door power window operates normally.

NG ▶ **REPLACE POWER WINDOW REGULATOR MOTOR ASSEMBLY LH (for Rear LH Door)**

Click here [INFO](#)

OK

**5. PERFORM INITIALIZATION**

(a) Initialize the power window regulator motor assembly LH (for rear LH door).

Click here [INFO](#)

NEXT

**6. CHECK POWER WINDOW CONTROL SYSTEM**

(a) Check that the rear LH door power window operates normally by opening and closing it.

HINT:

Click here [INFO](#)

OK:

Rear LH door power window operates normally.

NG ▶ **REPLACE POWER WINDOW REGULATOR MOTOR ASSEMBLY LH (for Rear LH Door)**

Click here [INFO](#)

OK



7.	CHECK WHETHER PARTS HAVE BEEN INSTALLED CORRECTLY
-----------	--

(a) Check that the rear LH door power window components are installed correctly.

OK:

Rear LH door power window components are installed correctly.

**OK ▶ END (OVERHEATED POWER WINDOW REGULATOR
MOTOR ASSEMBLY LH (for Rear LH Door) WAS
DEFECTIVE)**

NG ▶ INSTALL PARTS CORRECTLY

