

Last Modified: 12-04-2024	6.11:8.1.0	Doc ID: RM1000000028WJV
Model Year Start: 2023	Model: Prius Prime	Prod Date Range: [12/2022 -]
Title: MIRROR (EXT): OUTER REAR VIEW MIRROR GLASS: INSPECTION; 2023 - 2024 MY Prius Prius Prime [12/2022 -]		

INSPECTION

PROCEDURE

1. INSPECT OUTER MIRROR LH

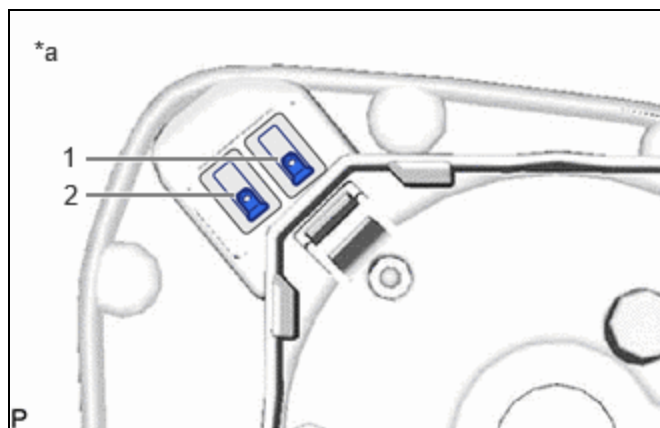
(a) Check the operation of the outer mirror heater. (w/ Mirror Heater)

(1) Measure the resistance according to the value(s) in the table below.

Standard Resistance:

TESTER CONNECTION	CONDITION	SPECIFIED CONDITION	RESULT
1 - 2	25°C (77°F)	12 to 18 Ω	Ω

If the result is not as specified, replace the outer mirror LH.



*a	Component without harness connected (Outer Mirror LH)
----	---

(b) Check the operation of the outer rear view mirror indicator. (w/ Blind Spot Monitor System)

NOTICE:

Do not apply a voltage of more than 6 V.

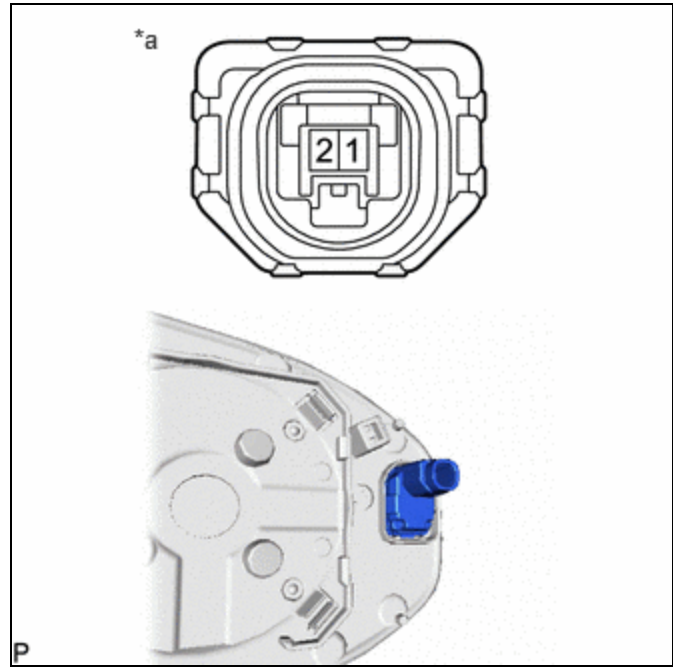
(1) Connect 4 new 1.5 V dry-cell batteries in series.

(2) Apply 6 V battery voltage to the terminals of the connector, and check that the outer rear view mirror indicator comes on.

OK:

TESTER CONNECTION	SPECIFIED CONDITION
6 V battery positive (+) → Terminal 1	Outer rear view mirror indicator comes on
6 V battery negative (-) → Terminal 2	

If the result is not as specified, replace the outer mirror LH.



*a	Component without harness connected (Outer Mirror LH)
----	---

2. INSPECT OUTER MIRROR RH

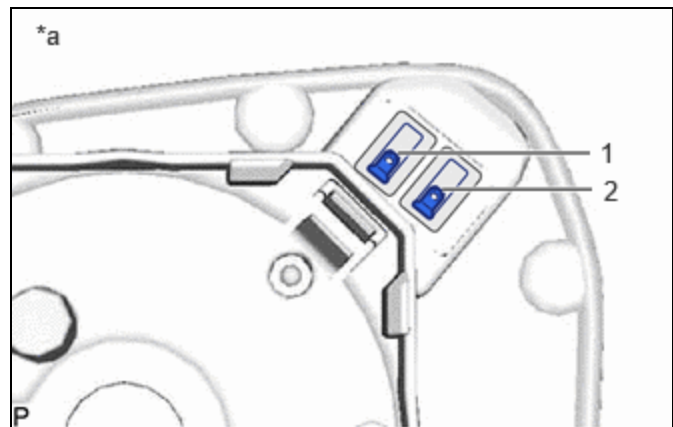
(a) Check the operation of the outer mirror heater. (w/ Mirror Heater)

(1) Measure the resistance according to the value(s) in the table below.

Standard Resistance:

TESTER CONNECTION	CONDITION	SPECIFIED CONDITION	RESULT
1 - 2	25°C (77°F)	12 to 18 Ω	Ω

If the result is not as specified, replace the outer mirror RH.



*a	Component without harness connected (Outer Mirror RH)
----	---

(b) Check the operation of the outer rear view mirror indicator. (w/ Blind Spot Monitor System)

NOTICE:

Do not apply a voltage of more than 6 V.

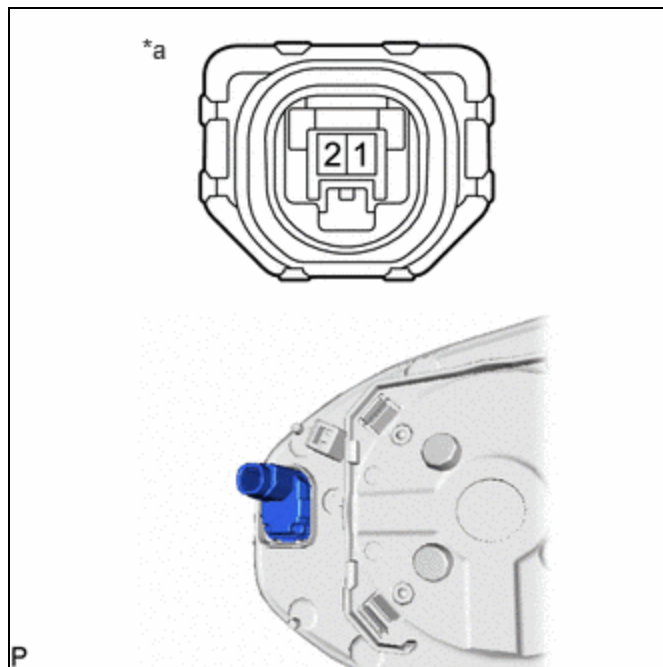
(1) Connect 4 new 1.5 V dry-cell batteries in series.

(2) Apply 6 V battery voltage to the terminals of the connector, and check that the outer rear view mirror indicator comes on.

OK:

TESTER CONNECTION	SPECIFIED CONDITION
6 V battery positive (+) → Terminal 1	Outer rear view mirror indicator comes on
6 V battery negative (-) → Terminal 2	

If the result is not as specified, replace the outer mirror RH.



*a	Component without harness connected (Outer Mirror RH)
----	---

