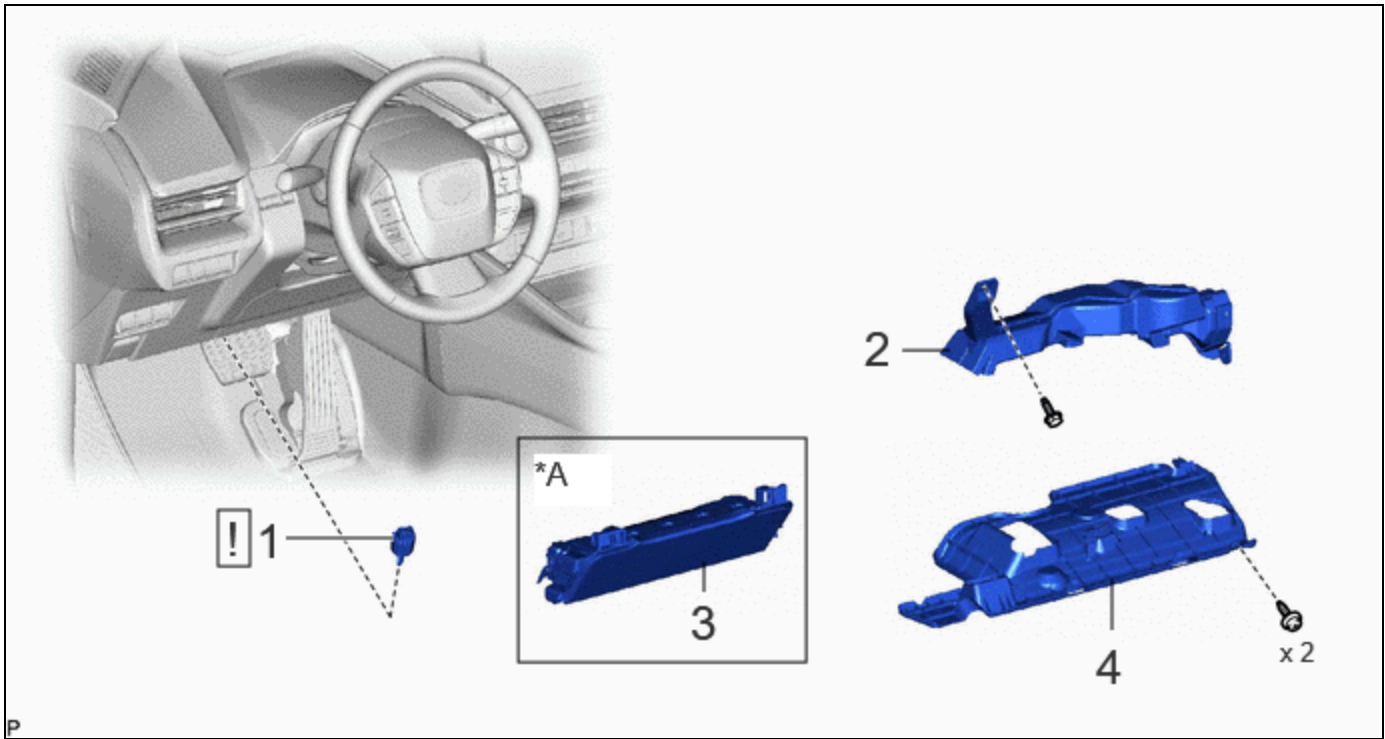


Last Modified: 12-04-2024	6.11:8.1.0	Doc ID: RM10000000292LA
Model Year Start: 2023	Model: Prius Prime	Prod Date Range: [12/2022 -]
Title: LIGHTING (EXT): STOP LIGHT SWITCH: INSTALLATION; 2023 - 2024 MY Prius Prius Prime [12/2022 -]		

INSTALLATION

CAUTION / NOTICE / HINT

COMPONENTS (INSTALLATION)

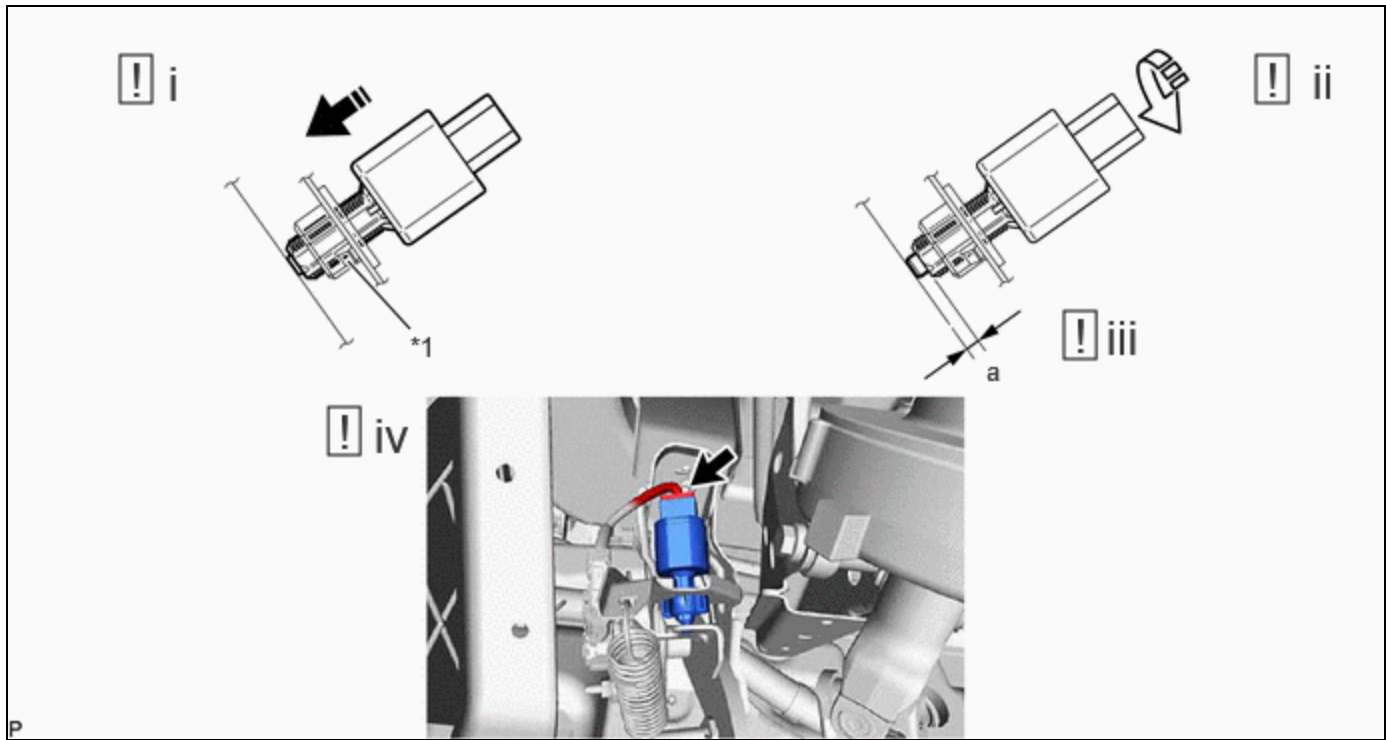


	PROCEDURE	PART NAME CODE	!	📄	⚙️
1	STOP LIGHT SWITCH ASSEMBLY	84340	INFO	-	-
2	NO. 1 AIR DUCT	87211	-	-	-
3	LOWER NO. 1 INSTRUMENT PANEL AIRBAG ASSEMBLY	73900	-	-	-
4	NO. 1 INSTRUMENT PANEL UNDER COVER SUB-ASSEMBLY	55606	-	-	-

*A	w/ Knee Airbag	-	-
----	----------------	---	---

PROCEDURE

1. INSTALL STOP LIGHT SWITCH ASSEMBLY



*1	Stop Light Switch Mounting Adjuster	-	-
	Insert in this Direction		Turn in this Direction

(1) Insert the stop light switch assembly until the threaded sleeve hits the pedal as shown in the illustration.

NOTICE:

When inserting the stop light switch assembly, support the pedal from behind so that the pedal is not pushed in.

(2) Turn the stop light switch assembly 1/4 turn clockwise as shown in the illustration to install it.

Torque:

1.5 N·m {15 kgf·cm, 13 in·lbf}

or less

(3) Check the protrusion of the plunger.

Protrusion of the Plunger

AREA	MEASUREMENT
a	0.5 to 2.6 mm (0.0197 to 0.102 in.)

If the protrusion is not as specified, recheck the stop light switch assembly installation and perform brake pedal adjustment if necessary.

Click here [INFO](#)


NOTICE:

Do not depress or support the brake pedal.

(4) Connect the connector.

2. INSTALL NO. 1 AIR DUCT

3. INSTALL LOWER NO. 1 INSTRUMENT PANEL AIRBAG ASSEMBLY (w/ Knee Airbag)

Click here 

4. INSTALL NO. 1 INSTRUMENT PANEL UNDER COVER SUB-ASSEMBLY

