

<b>Last Modified:</b> 12-04-2024	6.11:8.1.0	<b>Doc ID:</b> RM10000000292L9
<b>Model Year Start:</b> 2023	<b>Model:</b> Prius Prime	<b>Prod Date Range:</b> [12/2022 - ]
<b>Title:</b> LIGHTING (EXT): STOP LIGHT SWITCH: ON-VEHICLE INSPECTION; 2023 - 2024 MY Prius Prius Prime [12/2022 - ]		

## ON-VEHICLE INSPECTION

### PROCEDURE

#### 1. INSPECT STOP LIGHT SWITCH ASSEMBLY

Pre-procedure1

- (a) Disconnect the stop light switch assembly connector.

Procedure1

- (b) Measure the voltage and resistance on the wire harness side connector according to the value(s) in the table below.

Standard Voltage:



[Click Location & Routing\(A18\).](#)  
[Click Connector\(A18\).](#)

TESTER CONNECTION	CONDITION	SPECIFIED CONDITION	RESULT
A18-7 (B) - A18-2 (GND)	Always	11 to 14 V	V
A18-6 (B) - A18-2 (GND)	Ignition switch on (IG)	11 to 14 V	V

Standard Resistance:



[Click Location & Routing\(A18\).](#)  
[Click Connector\(A18\).](#)

TESTER CONNECTION	CONDITION	SPECIFIED CONDITION	RESULT
A18-2 (GND) - Body ground	Always	Below 1 $\Omega$	$\Omega$

If the result is not as specified, repair or replace the wire harness or connector.

Post-procedure1

- (c) Reconnect the stop light switch assembly connector.

Procedure2

- (d) Measure the voltage according to the value(s) in the table below.

Standard Voltage:

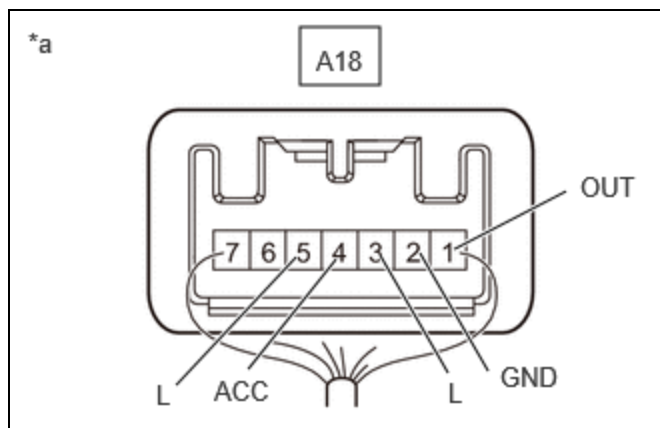


[Click Location & Routing\(A18\)](#)

[Click Connector\(A18\)](#)

TESTER CONNECTION	CONDITION	SPECIFIED CONDITION	RESULT
A18-1 (OUT) - A18-2 (GND)	Brake pedal not depressed	1.5 V or less	V
A18-1 (OUT) - A18-2 (GND)	Brake pedal depressed	11 to 14 V	V
A18-3 (L) - A18-2 (GND)	Brake pedal not depressed	1.5 V or less	V
A18-3 (L) - A18-2 (GND)	Brake pedal depressed	11 to 14 V	V
A18-4 (ACC) - A18-2 (GND)	Always	11 to 14 V	V
A18-5 (L) - A18-2 (GND)	Ignition switch on (IG), brake pedal not depressed	7.5 to 14 V	V
A18-5 (L) - A18-2 (GND)	Ignition switch on (IG), brake pedal depressed	0 to 1.5 V	V

If the result is not as specified, replace the stop light switch assembly.



<b>*a</b>	Component with harness connected (Stop Light Switch Assembly)
-----------	---------------------------------------------------------------

