

| | | |
|--|---------------------------|--------------------------------------|
| Last Modified: 12-04-2024 | 6.11:8.1.0 | Doc ID: RM10000000292KH |
| Model Year Start: 2023 | Model: Prius Prime | Prod Date Range: [12/2022 -] |
| Title: LIGHTING (EXT): REAR LIGHT ASSEMBLY: INSPECTION; 2023 - 2024 MY Prius Prius Prime [12/2022 -] | | |

INSPECTION

PROCEDURE

1. INSPECT TAIL LIGHT LED

(a) Illumination Inspection

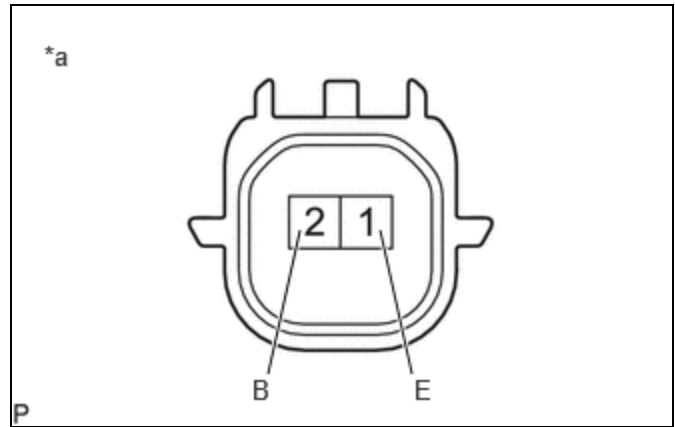
(1) Apply auxiliary battery voltage to the tail light LED and check that the lights illuminate.

OK:

Tail light

| TESTER CONNECTION | SPECIFIED CONDITION |
|---|------------------------|
| Auxiliary battery positive (+) - 2 (B) | Tail light illuminates |
| Auxiliary battery negative (-) - 1 (E) | |

If the result is not as specified, replace the tail light LED.



| | |
|----|--|
| *a | Component without harness connected (Tail Light LED) |
|----|--|

