

Last Modified: 12-04-2024	6.11:8.1.0	Doc ID: RM10000000292KB
Model Year Start: 2023	Model: Prius Prime	Prod Date Range: [12/2022 -]
Title: LIGHTING (EXT): REAR COMBINATION LIGHT ASSEMBLY: REMOVAL; 2023 - 2024 MY Prius Prius Prime [12/2022 -]		

REMOVAL

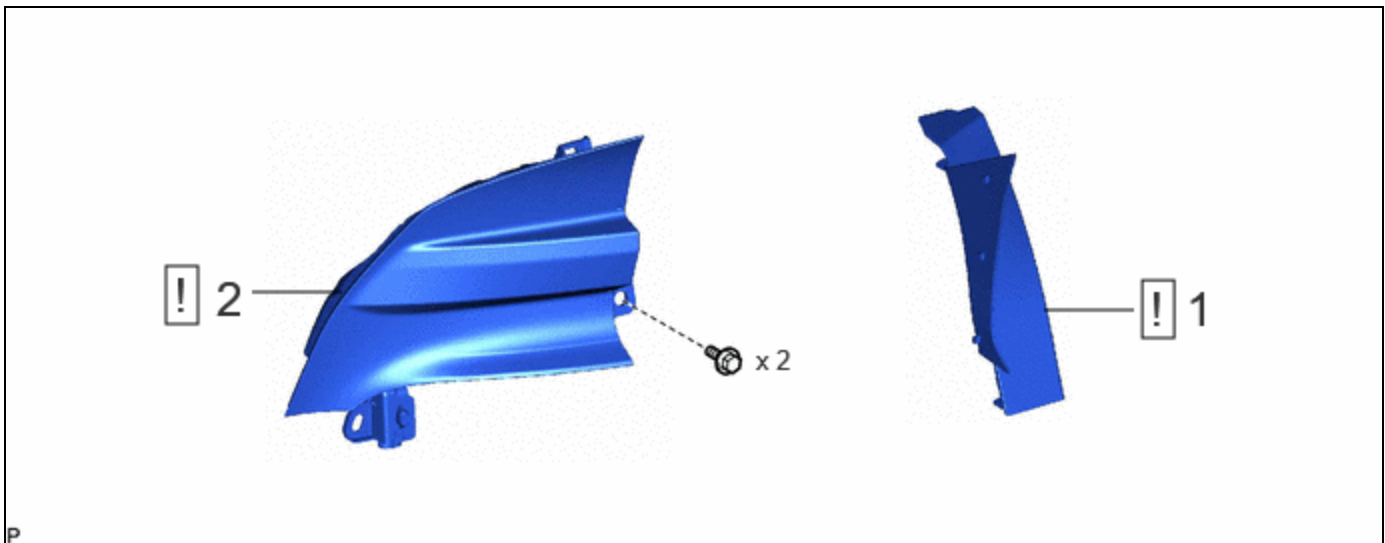
CAUTION / NOTICE / HINT

HINT:

- Use the same procedure for the RH side and LH side.
- The following procedure is for the LH side.

CAUTION / NOTICE / HINT

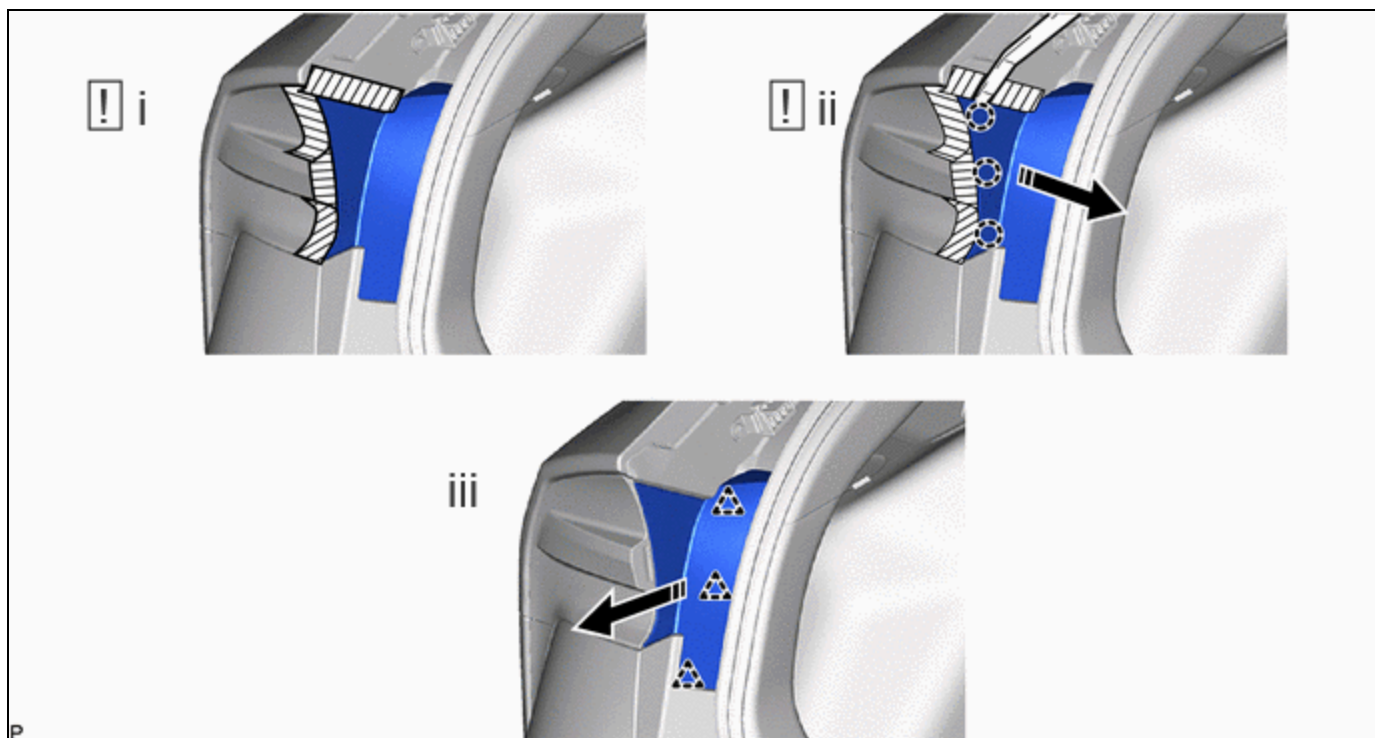
COMPONENTS (REMOVAL)





	PROCEDURE	PART NAME CODE			
1	REAR COMBINATION LIGHT COVER	81498	INFO	-	-
2	REAR COMBINATION LIGHT SUB-ASSEMBLY	-	INFO	-	-

PROCEDURE

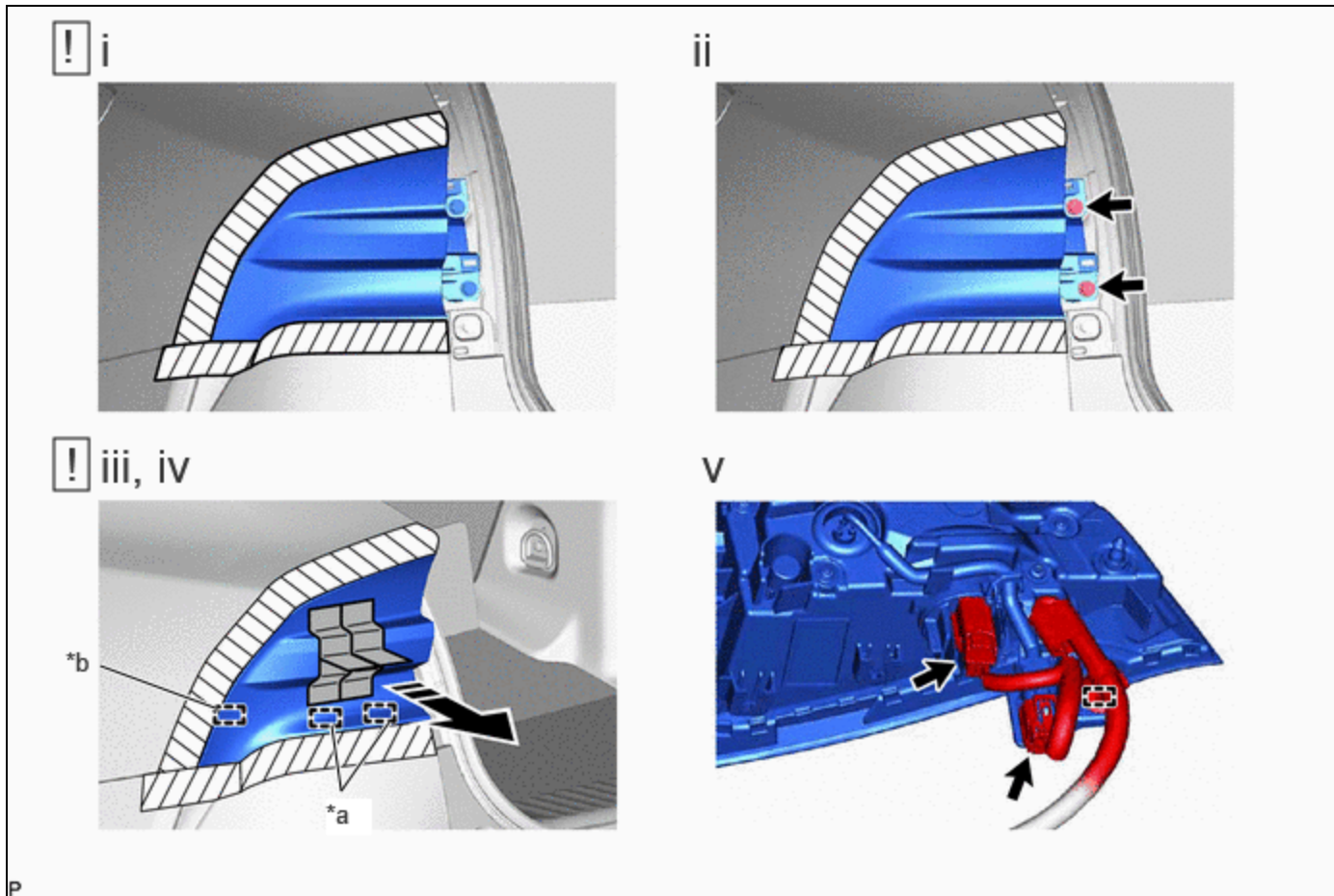
1. REMOVE REAR COMBINATION LIGHT COVER



	Protective Tape		Remove in this Direction
---	-----------------	---	--------------------------

- (1) Apply protective tape around the rear combination light cover as shown in the illustration.
- (2) Using a moulding remover, disengage the 3 claws as shown in the illustration.
- (3) Disengage the 3 clips as shown in the illustration to remove the rear combination light cover.

2. REMOVE REAR COMBINATION LIGHT SUB-ASSEMBLY



*a	Guide	*b	Pin
	Protective Tape		Tape
	Remove in this Direction	-	-

- (1) Apply protective tape around the rear combination light sub-assembly as shown in the illustration.
- (2) Remove the 2 screws.
- (3) As shown in the illustration, arrange and attach tape to the rear combination light sub-assembly to make a handle for pulling.

NOTICE:

Make sure to attach the tape firmly to the top and bottom surfaces of the protrusion.

- (4) Pull the rear combination light sub-assembly toward the rear of the vehicle as shown in the illustration to disengage the pin and 2 guides and separate the rear combination light sub-assembly.

NOTICE:

To prevent the rear combination light sub-assembly from falling when disengaging the pin and 2 guides, make sure to hold the rear combination light sub-assembly.

- (5) Disengage the clamp and disconnect the 2 connectors to remove the rear combination light sub-assembly.

