

Last Modified: 12-04-2024	6.11:8.1.0	Doc ID: RM10000000292KC
Model Year Start: 2023	Model: Prius Prime	Prod Date Range: [12/2022 -]
Title: LIGHTING (EXT): REAR COMBINATION LIGHT ASSEMBLY: INSPECTION; 2023 - 2024 MY Prius Prius Prime [12/2022 -]		

INSPECTION

PROCEDURE

1. INSPECT REAR COMBINATION LIGHT LENS AND BODY LH

(a) Illumination Inspection

- (1) Apply auxiliary battery voltage to the rear combination light assembly LH and check that the lights illuminate.

OK:

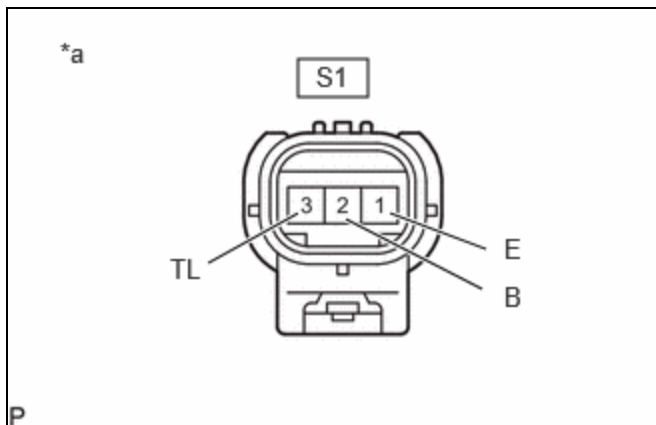
Taillight light



[Click Location & Routing\(S1\)](#)

[Click Connector\(S1\)](#)

TESTER CONNECTION	SPECIFIED CONDITION
Auxiliary battery positive (+) - S1-3 (TL) Auxiliary battery negative (-) - S1-1 (E)	Taillight light illuminates



OK:

Stop light



[Click Location & Routing\(S1\)](#)

[Click Connector\(S1\)](#)

*a	Component without harness connected (Rear Combination Light Assembly LH)
----	--

TESTER CONNECTION	SPECIFIED CONDITION
Auxiliary battery positive (+) - S1-2 (B) Auxiliary battery negative (-) - S1-1 (E)	Stop light illuminates

If the result is not as specified, replace the rear combination light lens and body LH.

2. INSPECT REAR COMBINATION LIGHT LENS AND BODY RH

(a) Illumination Inspection

- (1) Apply auxiliary battery voltage to the rear combination light assembly RH and check that the lights illuminate.

OK:

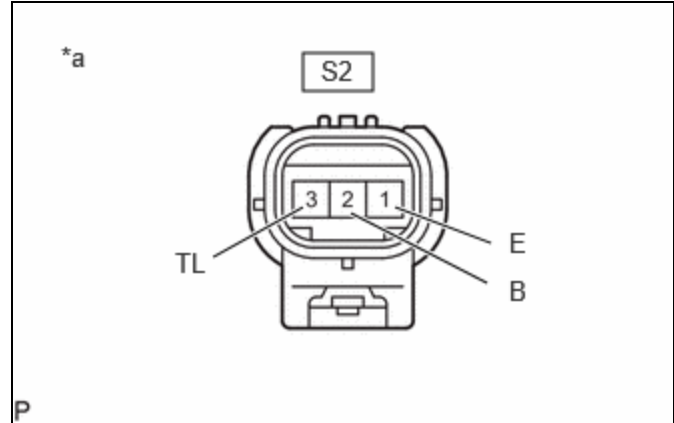
Taillight light



[Click Location & Routing\(S2\)](#)

[Click Connector\(S2\)](#)

TESTER CONNECTION	SPECIFIED CONDITION
Auxiliary battery positive (+) - S2-3 (TL) Auxiliary battery negative (-) - S2-1 (E)	Taillight light illuminates



OK:

Stop light



[Click Location & Routing\(S2\)](#)

[Click Connector\(S2\)](#)

TESTER CONNECTION	SPECIFIED CONDITION
Auxiliary battery positive (+) - S2-2 (B) Auxiliary battery negative (-) - S2-1 (E)	Stop light illuminates

*a	Component without harness connected (Rear Combination Light Assembly RH)
----	--

If the result is not as specified, replace the rear combination light lens and body RH.

3. INSPECT REAR TURN SIGNAL LIGHT LED

(a) Illumination Inspection

- (1) Apply auxiliary battery voltage to the rear turn signal light LED and check that the lights illuminate.

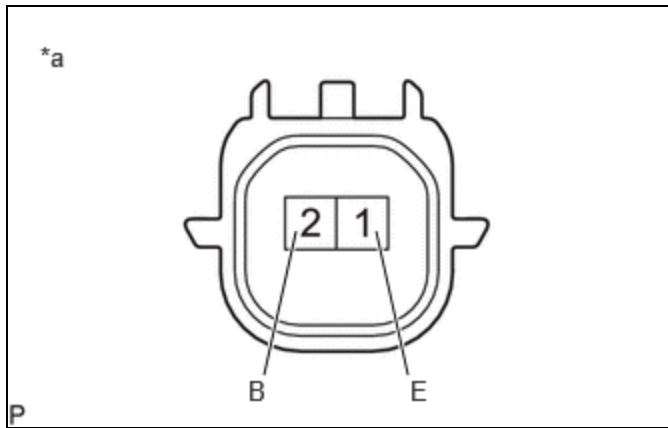
OK:

Turn signal light

TESTER CONNECTION	SPECIFIED CONDITION
Auxiliary battery positive (+) - 2 (B)	Turn signal light illuminates

TESTER CONNECTION	SPECIFIED CONDITION
Auxiliary battery negative (-) - 1 (E)	

If the result is not as specified, replace the rear turn signal light LED.



*a	Component without harness connected (Rear Turn Signal Light LED)
----	---

