

Last Modified: 12-04-2024	6.11:8.1.0	Doc ID: RM1000000029QEN
Model Year Start: 2023	Model: Prius Prime	Prod Date Range: [12/2022 -]
Title: EXTERIOR PANELS / TRIM: GRILLE SHUTTER: REMOVAL; 2023 - 2024 MY Prius Prius Prime [12/2022 -]		

REMOVAL

CAUTION / NOTICE / HINT

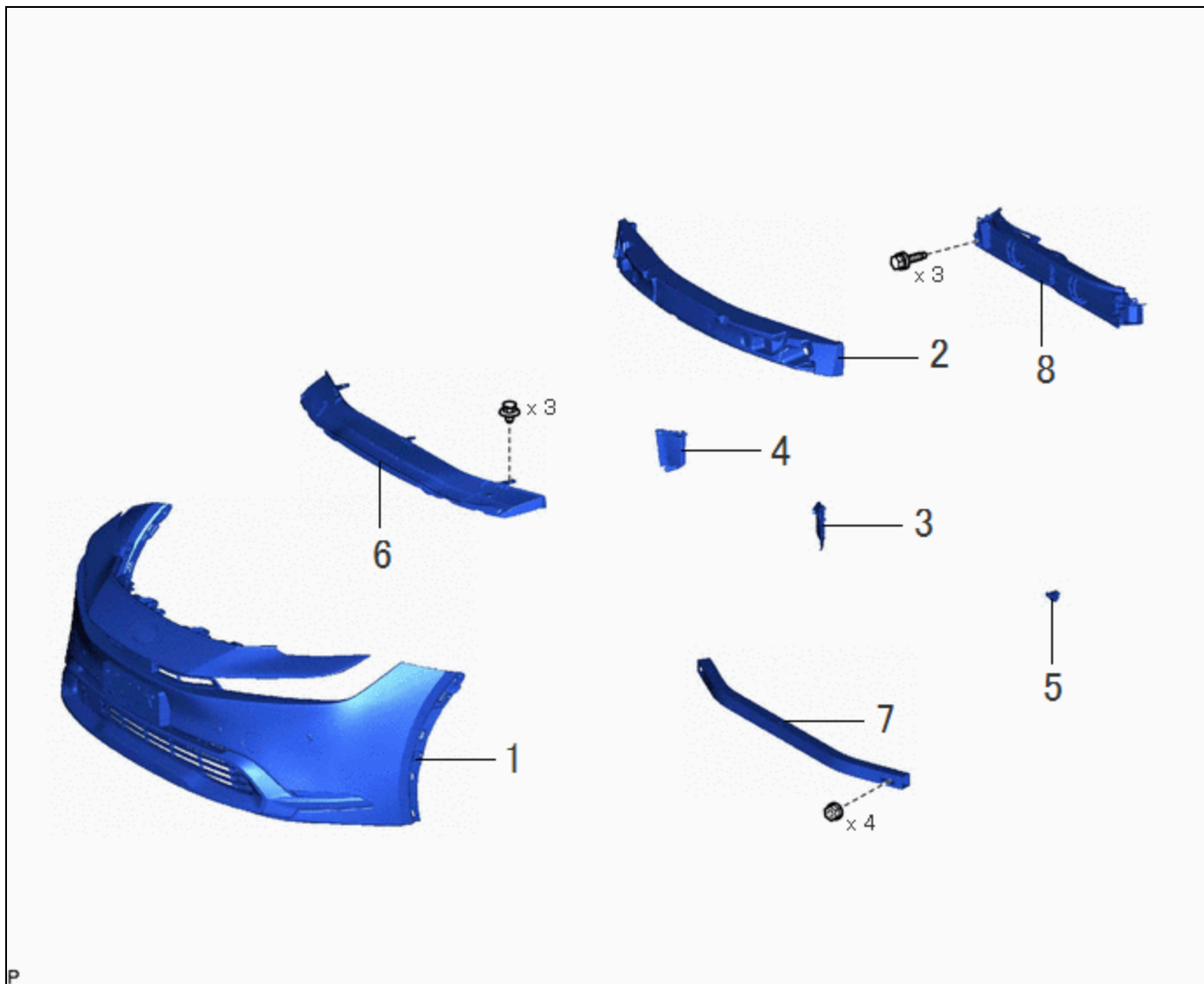
The necessary procedures (adjustment, calibration, initialization or registration) that must be performed after parts are removed and installed, or replaced during radiator shutter assembly removal/installation are shown below.




Necessary Procedures After Parts Removed/Installed/Replaced

REPLACED PART OR PERFORMED PROCEDURE	NECESSARY PROCEDURES	EFFECT/INOPERATIVE FUNCTION WHEN NECESSARY PROCEDURES ARE NOT PERFORMED	LINK
<ul style="list-style-type: none"> • Front bumper assembly* 	Front television camera view adjustment	Panoramic View Monitor System	INFO
		Advanced Park	INFO
Replacement or removal and installation of 2 or more parts: <ul style="list-style-type: none"> • Front television camera assembly, Radiator grille or Front bumper assembly • Rear television camera assembly • Side television camera assembly LH, Parking assist light LH or Outer rear view mirror assembly LH • Side television camera assembly RH, Parking assist light RH or Outer rear view mirror assembly RH 	Television camera view adjustment	Panoramic View Monitor System	INFO
Radiator shutter assembly	Change grille shutter control mode and/or perform initialization	Grille shutter system	INFO
*: Even when not replacing the part, it is necessary to perform the specified necessary procedures after installation.			

CAUTION / NOTICE / HINT

COMPONENTS (REMOVAL)



PROCEDURE		PART NAME CODE			
1	FRONT BUMPER ASSEMBLY	-	-	-	-
2	FRONT BUMPER ENERGY ABSORBER	52611	-	-	-
3	FRONT RADIATOR SIDE AIR GUIDE PLATE LH	16695A	-	-	-
4	FRONT RADIATOR SIDE AIR GUIDE PLATE RH	16691A	-	-	-
5	THERMISTOR ASSEMBLY	88790B	-	-	-
6	FRONT BUMPER LOWER ABSORBER	52618	-	-	-
7	NO. 2 FRONT BUMPER REINFORCEMENT	52132A	-	-	-
8	RADIATOR SHUTTER ASSEMBLY	53180D	-	-	-

PROCEDURE

1. REMOVE FRONT BUMPER ASSEMBLY

Click here [INFO](#)

2. REMOVE FRONT BUMPER ENERGY ABSORBER

Click here [INFO](#)

3. REMOVE FRONT RADIATOR SIDE AIR GUIDE PLATE LH

Click here [INFO](#)

4. REMOVE FRONT RADIATOR SIDE AIR GUIDE PLATE RH

(a) Use the same procedure as for the LH side.

5. REMOVE THERMISTOR ASSEMBLY

Click here [INFO](#)

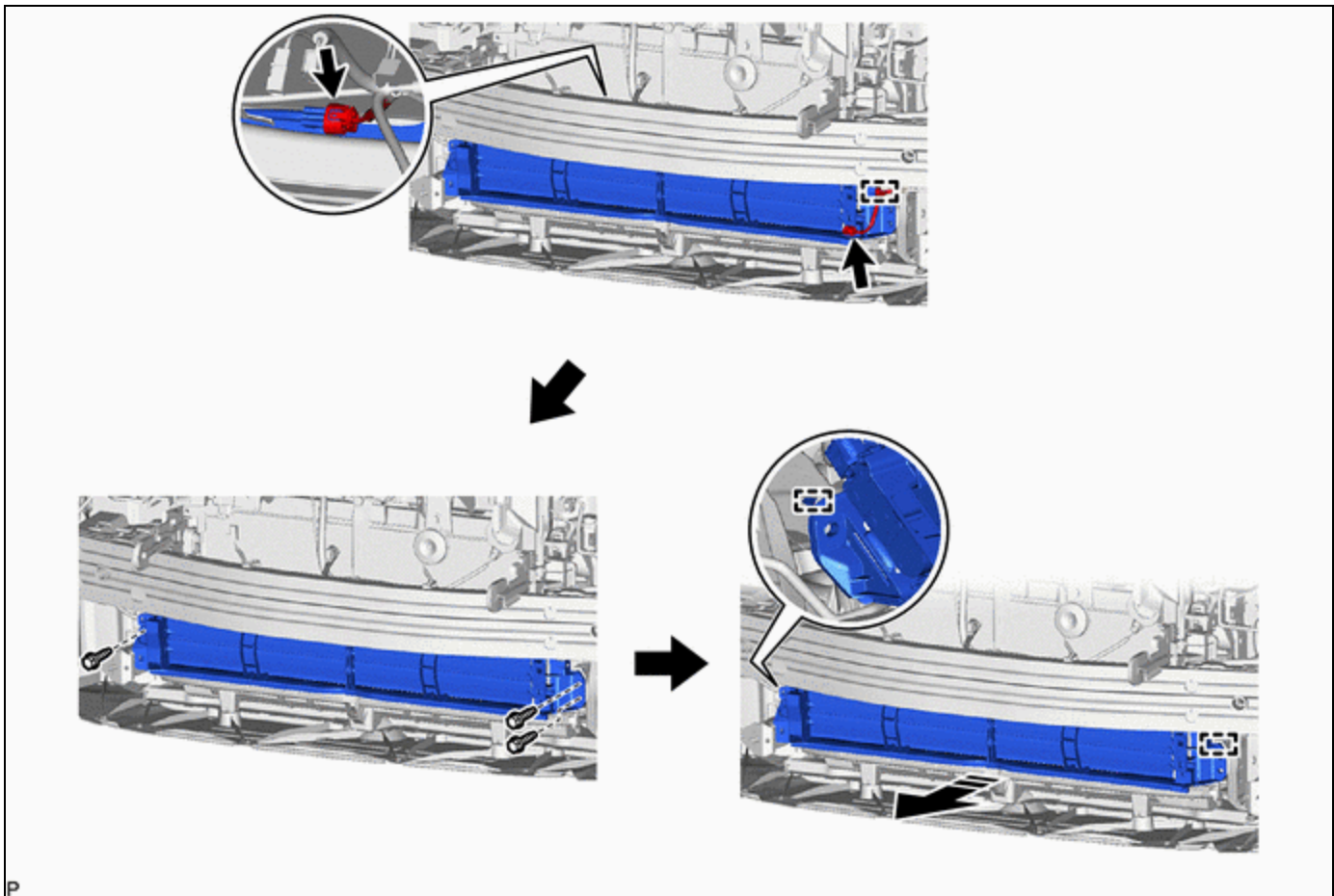
6. REMOVE FRONT BUMPER LOWER ABSORBER


Click here [INFO](#)

7. REMOVE NO. 2 FRONT BUMPER REINFORCEMENT

Click here [INFO](#)

8. REMOVE RADIATOR SHUTTER ASSEMBLY



	Remove in this Direction	-	-
---	--------------------------	---	---

