

Last Modified: 12-04-2024	6.11:8.1.0	Doc ID: RM100000029246
Model Year Start: 2023	Model: Prius Prime	Prod Date Range: [12/2022 -]
Title: DOOR / HATCH: POWER BACK DOOR SYSTEM: Power Back Door does not Operate Using Outside Switch; 2023 - 2024 MY Prius Prius Prime [12/2022 -]		

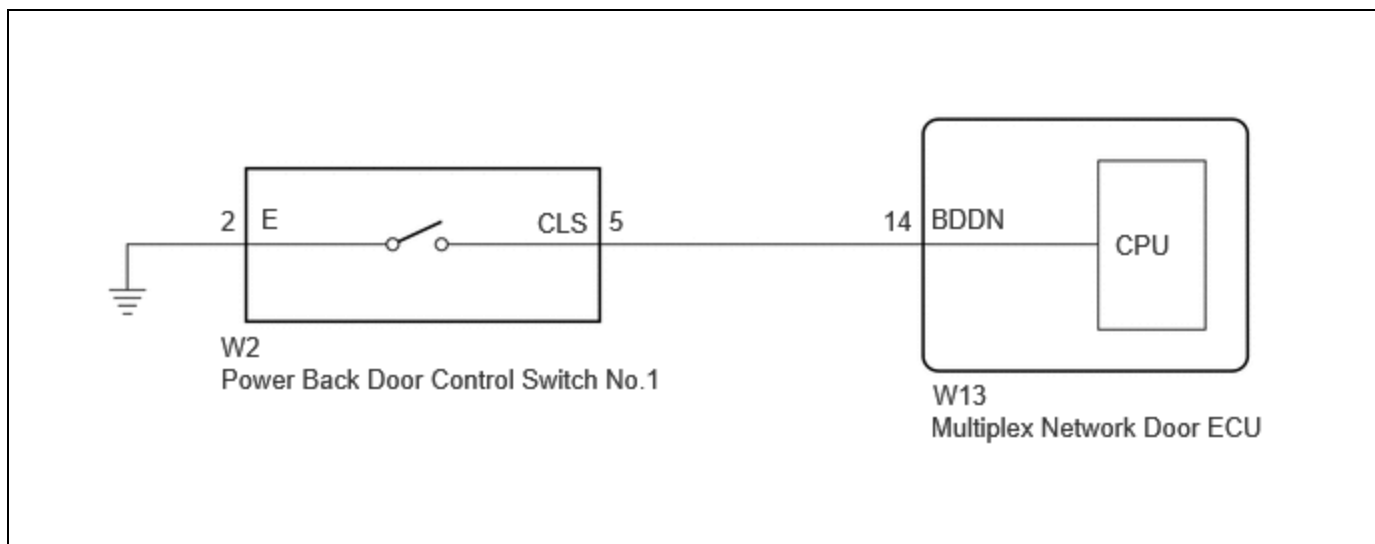
Power Back Door does not Operate Using Outside Switch

DESCRIPTION

The power back door control switch no.1 signal is sent to the multiplex network door ECU.

If the power back door does not operate using the power back door control switch no.1, a power back door control switch no.1 circuit malfunction is a possible cause.

WIRING DIAGRAM



CAUTION / NOTICE / HINT

NOTICE:

If the multiplex network door ECU has been replaced, or if any of the connectors has been disconnected, initialize the power back door system.

Click here [INFO](#)

PROCEDURE

1. CHECK VEHICLE CONDITION

(a) Operate the multi-information display in the combination meter assembly and check the customization status.

DISPLAY	DESCRIPTION	DEFAULT	SETTING	RELEVANT ECU
Power back door	Function that enables or disables the power back door operation.	ON	ON or OFF	Multiplex network door ECU

RESULT	PROCEED TO
Customization item is "ON" (power back door system operation is possible)	A
Customization item is "OFF" (power back door system operation is prohibited)	B

B ► **PERFORM CUSTOMIZE SETTING**

A



2.	CHECK POWER BACK DOOR SYSTEM
-----------	-------------------------------------

(a) Check the power back door system.

RESULT	PROCEED TO
Power back door system operates normally	A
Power back door system does not operate normally	B

B ► **GO TO POWER BACK DOOR CANNOT BE OPERATED FREQUENTLY**

A



3.	READ VALUE USING GTS
-----------	-----------------------------

(a) Read the Data List according to the display on the GTS.

Body Electrical > Back Door > Data List

TESTER DISPLAY	MEASUREMENT ITEM	RANGE	NORMAL CONDITION	DIAGNOSTIC NOTE
PBD Close Switch	Power back door control switch no.1 signal	ON or OFF	ON: Power back door control switch no.1 pushed OFF: Power back door control switch no.1 not pushed	-

Body Electrical > Back Door > Data List

TESTER DISPLAY
PBD Close Switch

OK:

The GTS display changes correctly in response to the switch operation.

OK  **REPLACE MULTIPLEX NETWORK DOOR ECU**

NG



4.	INSPECT POWER BACK DOOR CONTROL SWITCH NO.1
-----------	--

Click here 

NG  **REPLACE POWER BACK DOOR CONTROL SWITCH NO.1**

OK



5.	CHECK HARNESS AND CONNECTOR (POWER BACK DOOR CONTROL SWITCH NO.1 - MULTIPLEX NETWORK DOOR ECU AND BODY GROUND)
-----------	---

- (a) Disconnect the W2 power back door control switch no.1 connector.
- (b) Disconnect the W13 multiplex network door ECU connector.
- (c) Measure the resistance according to the value(s) in the table below.

Standard Resistance:



[Click Location & Routing\(W2,W13\)](#)

[Click Connector\(W2\)](#)[Click Connector\(W13\)](#)

TESTER CONNECTION	CONDITION	SPECIFIED CONDITION
W2-5 (CLS) - W13-14 (BDDN)	Always	Below 1 Ω
W2-2 (E) - Body ground	Always	Below 1 Ω
W2-5 (CLS) or W13-14 (BDDN) - Body ground	Always	10 k Ω or higher

OK ► REPLACE MULTIPLEX NETWORK DOOR ECU**NG** ► REPAIR OR REPLACE HARNESS OR CONNECTOR