

Last Modified: 12-04-2024	6.11:8.1.0	Doc ID: RM100000002B18L
Model Year Start: 2023	Model: Prius Prime	Prod Date Range: [03/2023 -]
Title: DOOR / HATCH: CHARGE LID COURTESY SWITCH: INSPECTION; 2023 - 2024 MY Prius Prius Prime [03/2023 -]		

INSPECTION

PROCEDURE

1. INSPECT CHARGE LID LOCK WITH MOTOR ASSEMBLY

(a) Check the operation of the charge lid lock with motor assembly.

(1) Measure the resistance according the value(s) in the table below.

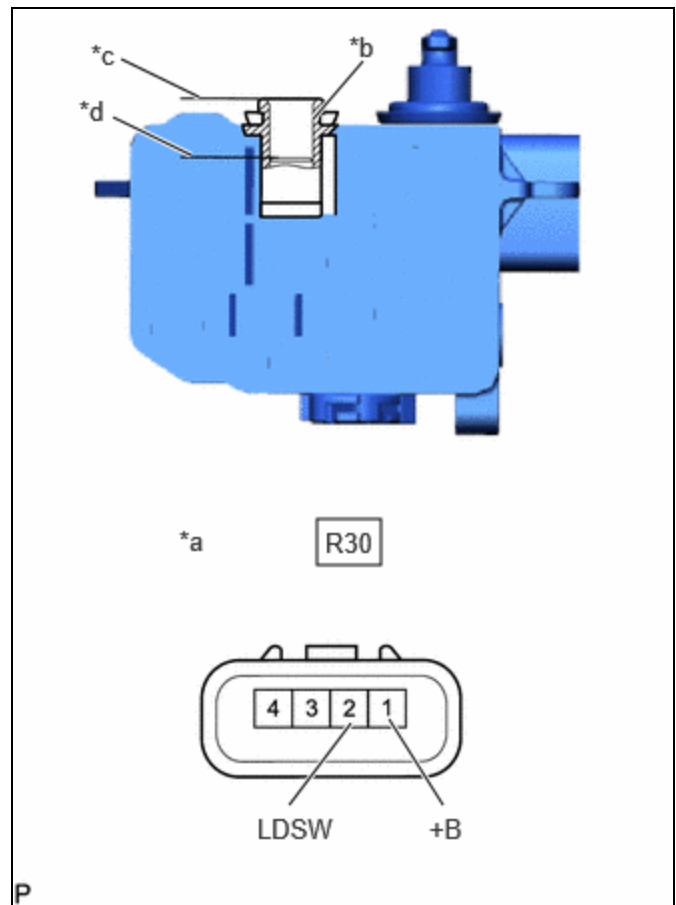
Standard Resistance:



[Click Location & Routing\(R30\)](#)

[Click Connector\(R30\)](#)

TESTER CONNECTION	CONDITION	SPECIFIED CONDITION	RESULT
R30-1 (+B) - R30-2 (LDSW)	Not pushed (ON)	Below 1 Ω	Ω
R30-1 (+B) - R30-2 (LDSW)	Pushed (OFF)	10 kΩ or higher	kΩ



*a	Component without harness connected (Charge Lid Lock With Motor Assembly)
*b	Push Lifter
*c	Not pushed (ON)
*d	Pushed (OFF)

(2) If the result is not as specified, replace the charge lid lock with motor assembly.

