

<b>Last Modified:</b> 12-04-2024	6.11:8.1.0	<b>Doc ID:</b> RM100000029BIS
<b>Model Year Start:</b> 2023	<b>Model:</b> Prius Prime	<b>Prod Date Range:</b> [12/2022 - ]
<b>Title:</b> ACOUSTIC VEHICLE ALERTING SYSTEM: VEHICLE APPROACHING SPEAKER: INSPECTION; 2023 - 2024 MY Prius Prius Prime [12/2022 - ]		

## INSPECTION

## PROCEDURE

### 1. INSPECT VEHICLE APPROACHING SPEAKER ASSEMBLY

(a) Measure the resistance according to the value(s) in the table below.

Standard Resistance:



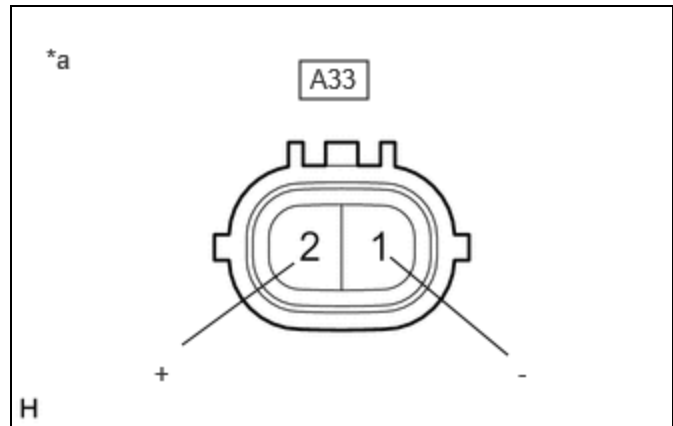
[Click Location & Routing\(A33\)](#)

[Click Connector\(A33\)](#)

TESTER CONNECTION	CONDITION	SPECIFIED CONDITION	RESULT
A33-2 (+) - A33-1 (-)	Always	3.2 to 4.8 Ω	Ω

**HINT:**

Make sure that there are no problems such as looseness or play with the installation of the vehicle approaching speaker assembly. If the result is not as specified, replace the vehicle approaching speaker assembly.



*a	Component without harness connected (Vehicle Approaching Speaker Assembly)
----	--

