

Last Modified: 12-04-2024	6.11:8.1.0	Doc ID: RM10000002BJBL
Model Year Start: 2023	Model: Prius Prime	Prod Date Range: [03/2023 -]
Title: ACOUSTIC VEHICLE ALERTING SYSTEM: VEHICLE APPROACHING SPEAKER ECU: REMOVAL; 2023 - 2024 MY Prius Prius Prime [03/2023 -]		

REMOVAL

CAUTION / NOTICE / HINT

The necessary procedures (adjustment, calibration, initialization or registration) that must be performed after parts are removed and installed, or replaced during vehicle approaching speaker controller removal/installation are shown below.

HINT:

When the cable is disconnected / reconnected to the auxiliary battery terminal, systems temporarily stop operating. However, each system has a function that completes learning the first time the system is used.

Learning completes when vehicle is driven

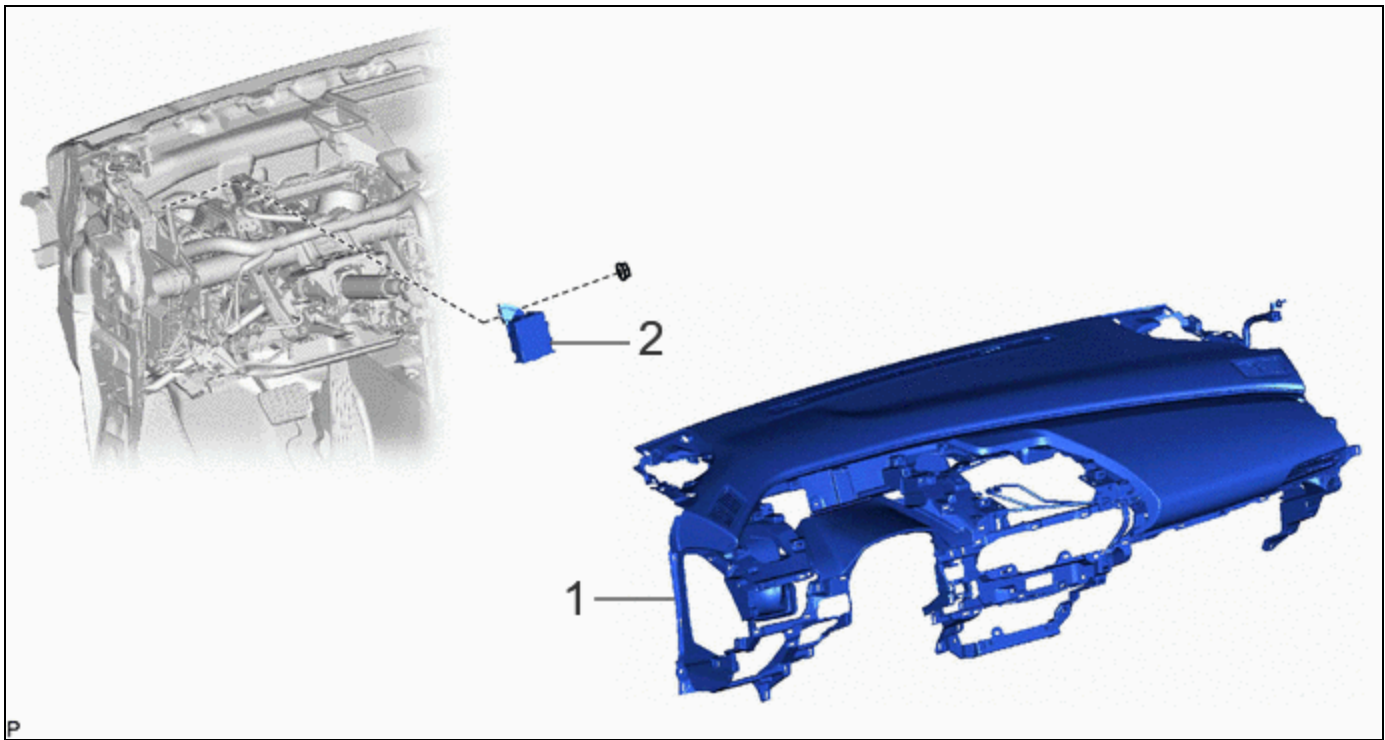
EFFECT/INOPERATIVE FUNCTION WHEN NECESSARY PROCEDURES ARE NOT PERFORMED	NECESSARY PROCEDURES	LINK
Front Camera System	Drive the vehicle straight ahead at 35 km/h (22 mph) or more for 5 seconds or more.	INFO




Learning completes when vehicle is operated normally

EFFECT/INOPERATIVE FUNCTION WHEN NECESSARY PROCEDURES ARE NOT PERFORMED	NECESSARY PROCEDURES	LINK
Power Door Lock Control System*1 <ul style="list-style-type: none"> • Back door opener 	Perform door unlock operation with door control switch or electrical key transmitter sub-assembly switch.	INFO
Power Back Door System*2	Reset back door close position	INFO
Air Conditioning System	<p>for HEV Model:</p> <p>After the ignition switch is turned to ON, the servo motor standard position is recognized.</p> <p>for PHEV Model:</p> <p>After the ignition switch is turned to ON, the servo motor and expansion valve standard position is recognized.</p>	-
*1: w/o Power Back Door System		
*2: w/ Power Back Door System		

CAUTION / NOTICE / HINT

COMPONENTS (REMOVAL)



PROCEDURE		PART NAME CODE			
1	INSTRUMENT PANEL SAFETY PAD SUB-ASSEMBLY	-	-	-	-
2	VEHICLE APPROACHING SPEAKER CONTROLLER	86572	-	-	-

PROCEDURE

1. REMOVE INSTRUMENT PANEL SAFETY PAD SUB-ASSEMBLY

Click here [INFO](#)

2. REMOVE VEHICLE APPROACHING SPEAKER CONTROLLER

