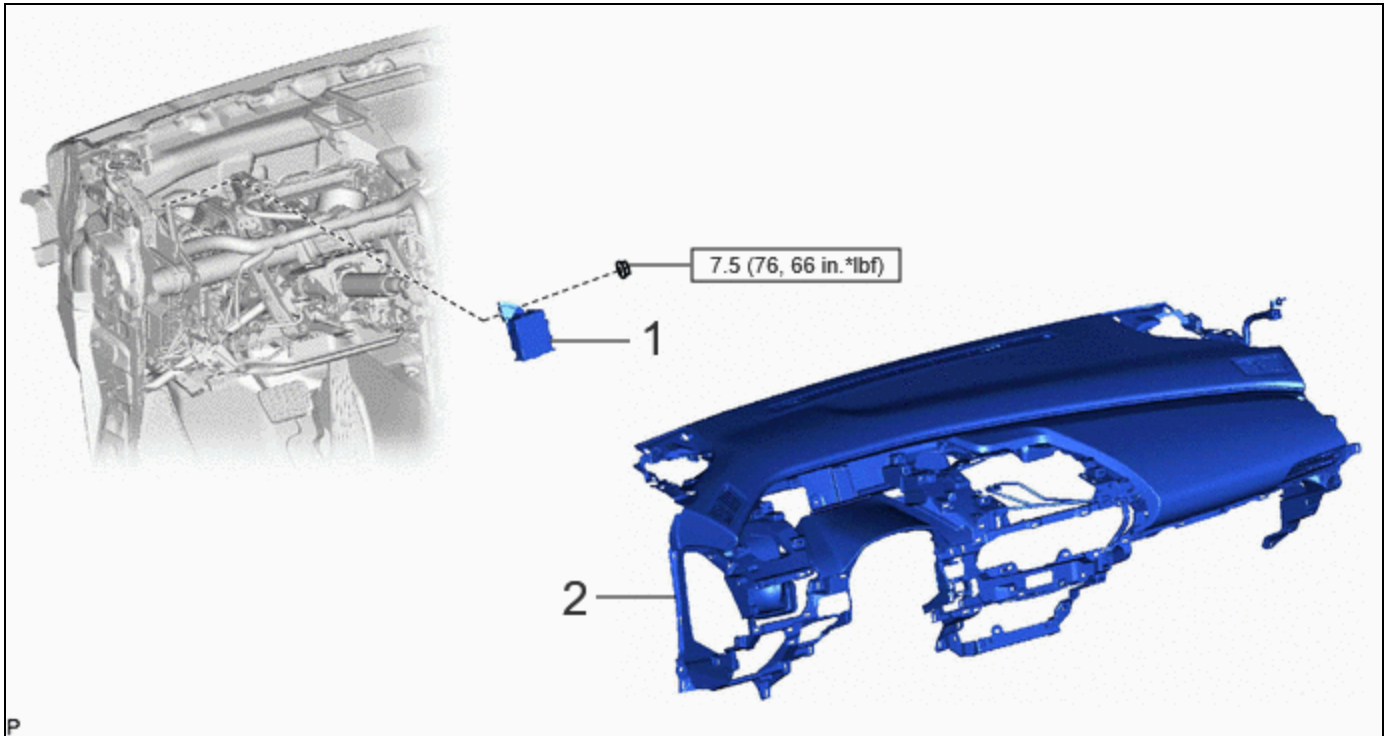


Last Modified: 12-04-2024	6.11:8.1.0	Doc ID: RM1000000029BIQ
Model Year Start: 2023	Model: Prius Prime	Prod Date Range: [12/2022 -]
Title: ACOUSTIC VEHICLE ALERTING SYSTEM: VEHICLE APPROACHING SPEAKER ECU: INSTALLATION; 2023 - 2024 MY Prius Prius Prime [12/2022 -]		

INSTALLATION

CAUTION / NOTICE / HINT

COMPONENTS (INSTALLATION)



	PROCEDURE	PART NAME CODE			
1	VEHICLE APPROACHING SPEAKER CONTROLLER	86572	-	-	-
2	INSTRUMENT PANEL SAFETY PAD SUB-ASSEMBLY	-	-	-	-

	N*m (kgf*cm, ft.*lbf): Specified torque	-	-
--	---	---	---

PROCEDURE

1. INSTALL VEHICLE APPROACHING SPEAKER CONTROLLER

Torque:

7.5 N·m {76 kgf·cm, 66 in·lbf}

2. INSTALL INSTRUMENT PANEL SAFETY PAD SUB-ASSEMBLY

Click here [INFO](#)

