

<b>Last Modified:</b> 12-04-2024	6.11:8.1.0	<b>Doc ID:</b> RM10000002A4CL
<b>Model Year Start:</b> 2023	<b>Model:</b> Prius Prime	<b>Prod Date Range:</b> [12/2022 - ]
<b>Title:</b> TIRE PRESSURE MONITORING: TIRE PRESSURE WARNING VALVE: REMOVAL; 2023 - 2024 MY Prius Prius Prime [12/2022 - ]		

## REMOVAL

### CAUTION / NOTICE / HINT

The necessary procedures (adjustment, calibration, initialization or registration) that must be performed after parts are removed and installed, or replaced during tire pressure warning valve and transmitter removal/installation are shown below.

#### **Necessary Procedures After Parts Removed/Installed/Replaced**

REPLACED PART OR PERFORMED PROCEDURE	NECESSARY PROCEDURE	EFFECT/INOPERATIVE FUNCTION WHEN NECESSARY PROCEDURE NOT PERFORMED	LINK
Tires	<ul style="list-style-type: none"> <li>Initialization*1*2</li> <li>Tire Position Identification*1*2</li> </ul>	Tire Pressure Warning System	Refer to Procedures Necessary When Replacing Parts (for Tire Pressure Warning System) <a href="#">INFO</a>
	Rear television camera assembly optical axis (Back camera position setting)*3	Parking Assist Monitor System	<a href="#">INFO</a>
	Parking assist ECU initialization*3	Panoramic View Monitor System	<a href="#">INFO</a>
		Advanced Park	<a href="#">INFO</a>
Tire pressure warning valve and transmitter	<ul style="list-style-type: none"> <li>ID Registration</li> <li>Initialization</li> <li>Tire Position Identification</li> </ul>	Tire Pressure Warning System	Refer to Procedures Necessary When Replacing Parts (for Tire Pressure Warning System) <a href="#">INFO</a>

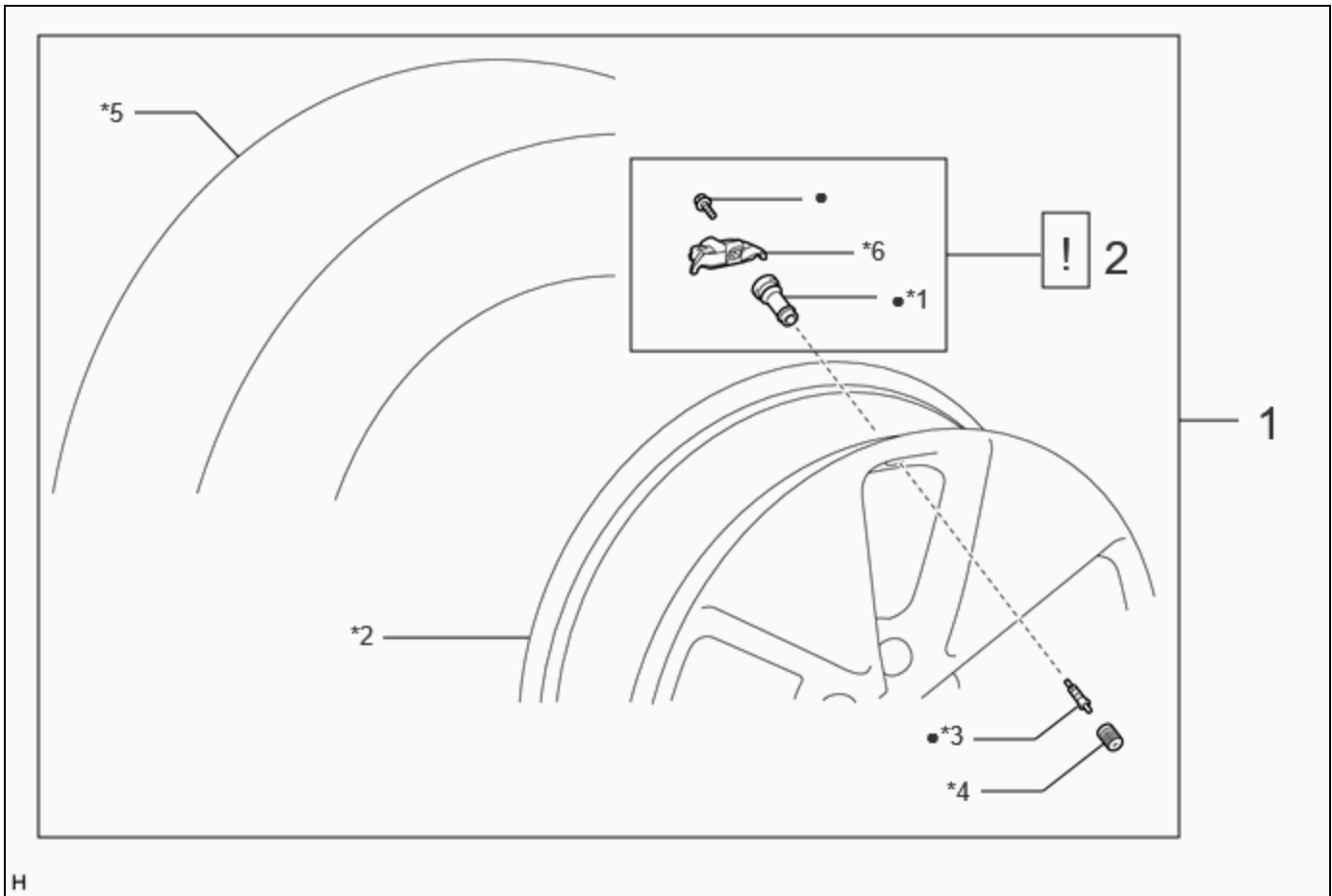
\*1: Also necessary after performing a tire rotation.

\*2: It is not necessary to perform this procedure if the tire pressure warning valve and transmitters are installed to the same location.

\*3: The vehicle height changes because of tire replacement.

### CAUTION / NOTICE / HINT

#### **COMPONENTS (REMOVAL)**



	PROCEDURE	PART NAME CODE			
1	WHEEL ASSEMBLY	-	-	-	-
2	TIRE PRESSURE WARNING VALVE AND TRANSMITTER	42607	<a href="#">INFO</a>	-	-

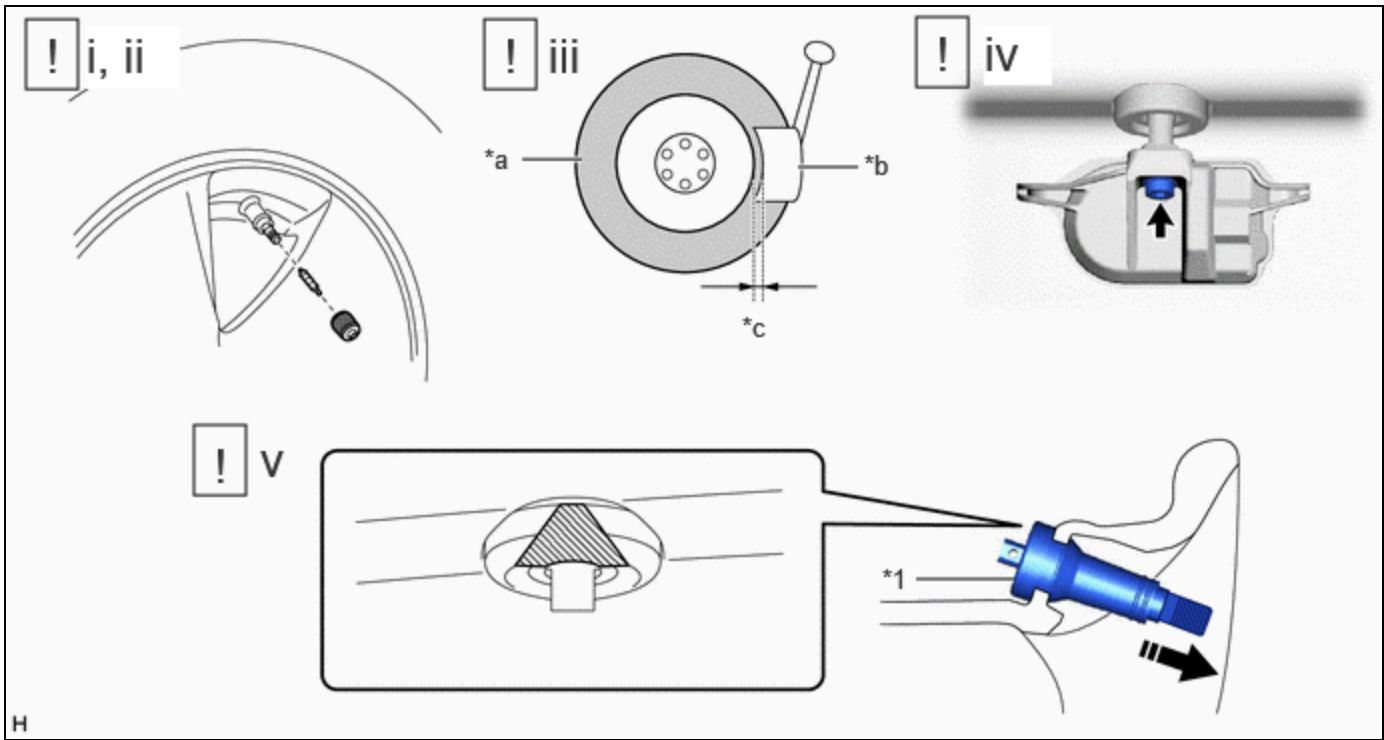
*1	TUBELESS TIRE VALVE	*2	DISC WHEEL
*3	VALVE CORE	*4	TIRE VALVE CAP
*5	TIRE	*6	TIRE PRESSURE MONITOR SENSOR
•	Non-reusable part	-	-


## PROCEDURE

### 1. REMOVE WHEEL ASSEMBLY

Click here [INFO](#)

### 2. REMOVE TIRE PRESSURE WARNING VALVE AND TRANSMITTER



*1	Tubeless Tire Valve	-	-
*a	Tire	*b	Shoe
*c	10 to 20 mm (0.394 to 0.787 in.)	-	-
	Cutting Range	-	-

(1) Remove the tire valve cap.

**NOTICE:**

Keep the removed tire valve cap.

(2) Remove the valve core to release the air from the tire.

**NOTICE:**

Make sure that a sufficient amount of air has been released.

(3) Using a tire remover, remove the tire from the disc wheel.

**NOTICE:**

- Be careful not to damage the tire pressure warning valve and transmitter due to interference between the valve and the tire bead.
- Set the tire remover shoe as shown in the illustration.

(4) Using a T10 "TORX" socket wrench, remove the bolt and tire pressure monitor sensor from the tubeless tire valve.

(5) Cut the tubeless tire valve and remove it by pulling from the outer side of the disc wheel as shown in the illustration.

