

<b>Last Modified:</b> 12-04-2024	6.11:8.1.0	<b>Doc ID:</b> RM1000000029TKK
<b>Model Year Start:</b> 2023	<b>Model:</b> Prius Prime	<b>Prod Date Range:</b> [12/2022 - ]
<b>Title:</b> STEERING COLUMN: STEERING COLUMN ASSEMBLY: REASSEMBLY; 2023 - 2024 MY Prius Prius Prime [12/2022 - ]		

## REASSEMBLY

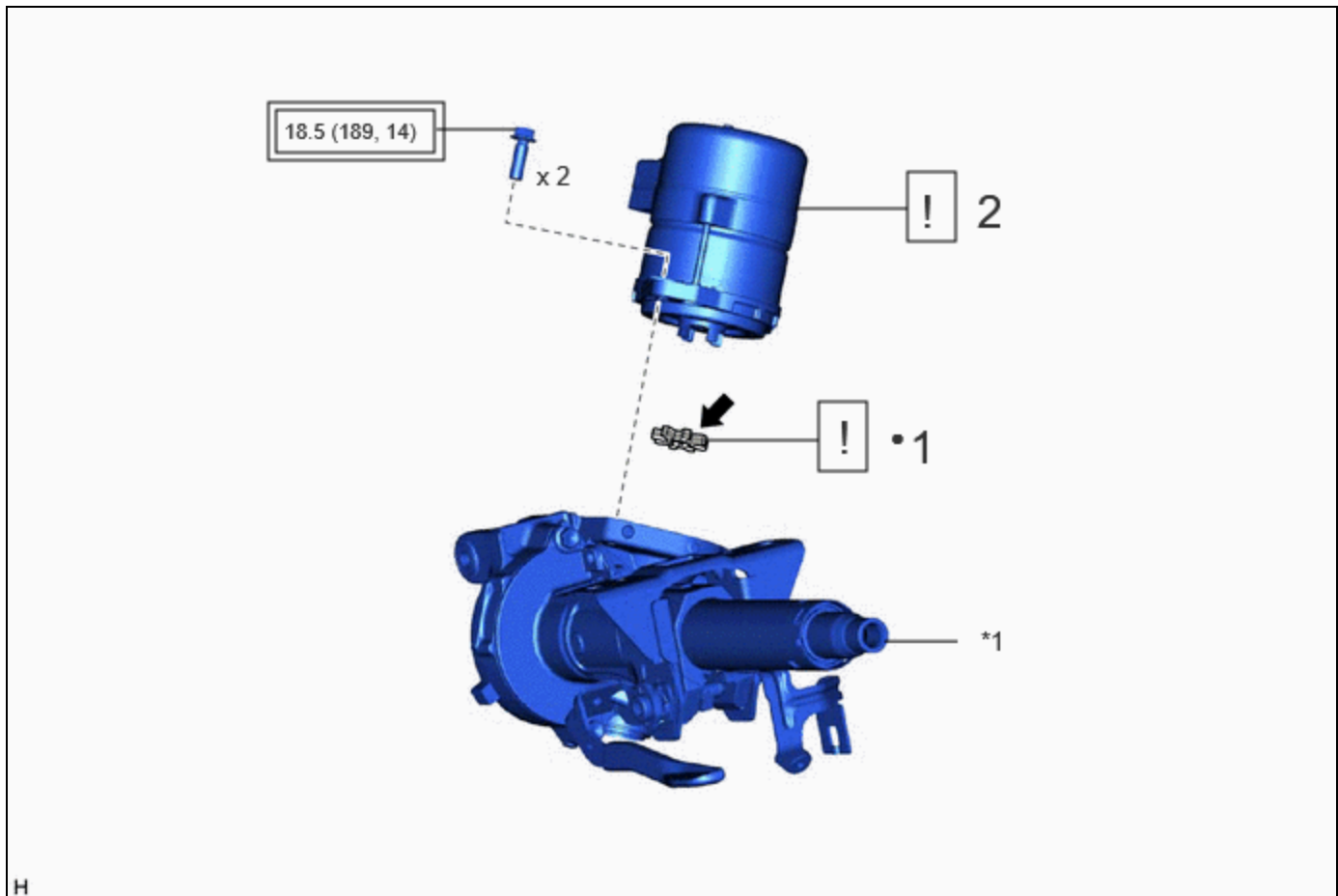
### CAUTION / NOTICE / HINT




#### NOTICE:



- Do not drop the power steering ECU assembly, strike it with tools or subject it to impacts.
- If the power steering ECU assembly is subjected to an impact, replace it with a new one.
- Do not pull the wire harness.
- Do not allow any moisture to come into contact with the power steering ECU assembly.
- Do not loosen any bolts not mentioned in the procedure.
- Do not allow any foreign matter to contaminate the power steering ECU assembly.

### CAUTION / NOTICE / HINT

#### COMPONENTS (REASSEMBLY)




	PROCEDURE	PART NAME CODE			
1	ELECTRIC POWER STEERING MOTOR SHAFT DAMPER	45254B	<a href="#">INFO</a>	-	-
2	POWER STEERING ECU ASSEMBLY	89650	<a href="#">INFO</a>	-	-


*1	ELECTRIC POWER STEERING COLUMN SUB-ASSEMBLY	-	-
	Tightening torque for "Major areas involving basic vehicle performance such as moving/turning/stopping": N*m (kgf*cm, ft.*lbf)	•	Non-reusable part
	Grease	-	-

## PROCEDURE

### 1. INSTALL ELECTRIC POWER STEERING MOTOR SHAFT DAMPER

	Click here <a href="#">INFO</a>
--	---------------------------------

### 2. INSTALL POWER STEERING ECU ASSEMBLY

	Click here <a href="#">INFO</a>
---	---------------------------------

