

<b>Last Modified:</b> 12-04-2024	6.11:8.1.0	<b>Doc ID:</b> RM1000000029TKJ
<b>Model Year Start:</b> 2023	<b>Model:</b> Prius Prime	<b>Prod Date Range:</b> [12/2022 - ]
<b>Title:</b> STEERING COLUMN: STEERING COLUMN ASSEMBLY: DISASSEMBLY; 2023 - 2024 MY Prius Prius Prime [12/2022 - ]		

## DISASSEMBLY

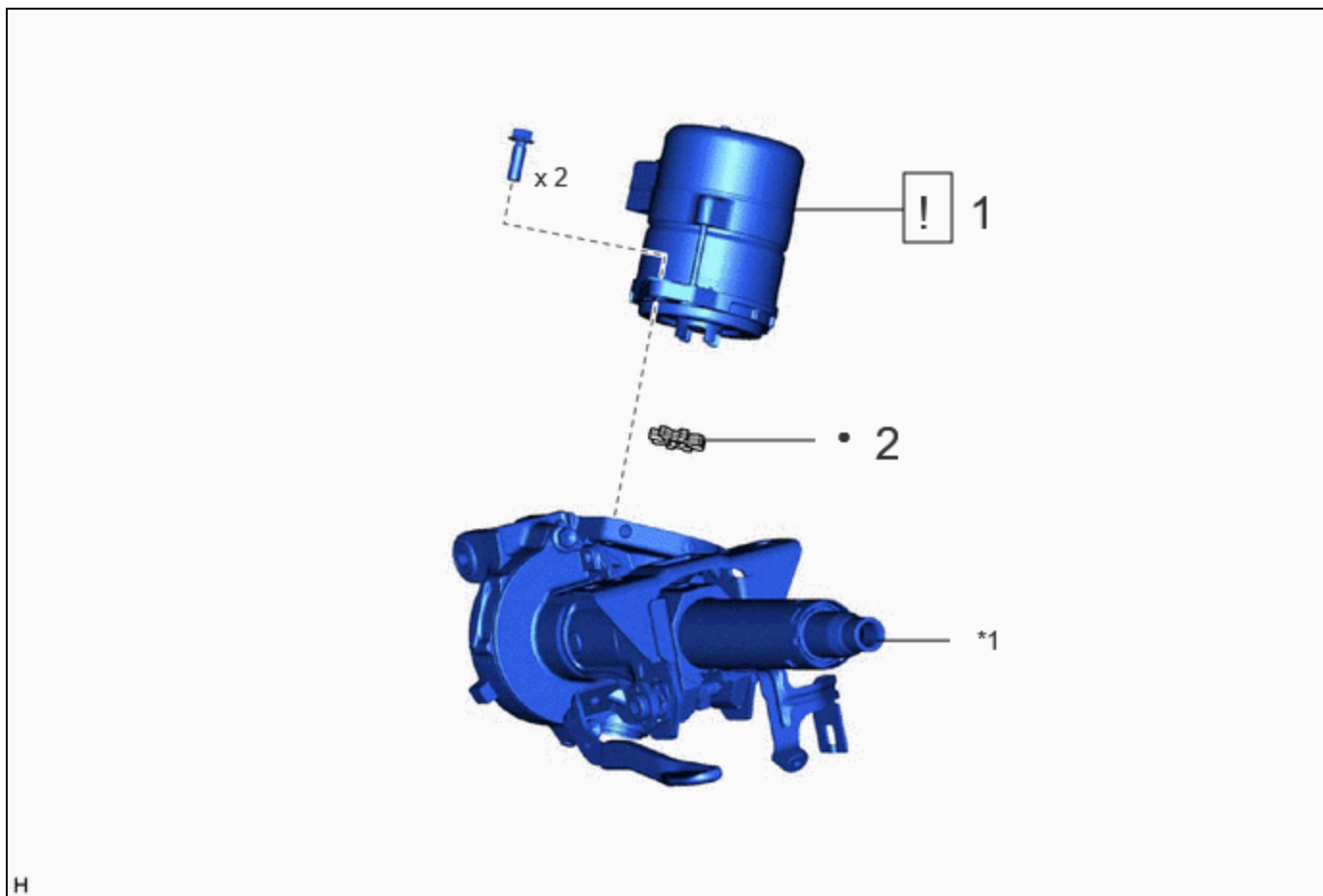
### CAUTION / NOTICE / HINT




#### **NOTICE:**

- Do not drop the power steering ECU assembly, strike it with tools or subject it to impacts.
- If the power steering ECU assembly is subjected to an impact, replace it with a new one.
- Do not pull the wire harness.
- Do not allow any moisture to come into contact with the power steering ECU assembly.
- Do not loosen any bolts not mentioned in the procedure.
- Do not allow any foreign matter to contaminate the power steering ECU assembly.

### CAUTION / NOTICE / HINT

#### **COMPONENTS (DISASSEMBLY)**




	PROCEDURE	PART NAME CODE			
1	POWER STEERING ECU ASSEMBLY	89650	<a href="#">INFO</a>	-	-
2	ELECTRIC POWER STEERING MOTOR SHAFT DAMPER	45254B	-	-	-

*1	ELECTRIC POWER STEERING COLUMN SUB-ASSEMBLY	-	-
•	Non-reusable part	-	-

## PROCEDURE

### 1. REMOVE POWER STEERING ECU ASSEMBLY

	Click here <a href="#">INFO</a>
---	---------------------------------

### 2. REMOVE ELECTRIC POWER STEERING MOTOR SHAFT DAMPER

Click here [INFO](#)

