

Last Modified: 12-04-2024	6.11:8.1.0	Doc ID: RM100000029H5Y
Model Year Start: 2023	Model: Prius Prime	Prod Date Range: [12/2022 -]
Title: STEERING COLUMN: HEATED STEERING WHEEL SYSTEM: Steering Wheel does not Heat Up When Heated Steering Wheel Switch is Pressed; 2023 - 2024 MY Prius Prius Prime [12/2022 -]		

[Steering Wheel does not Heat Up When Heated Steering Wheel Switch is Pressed](#)

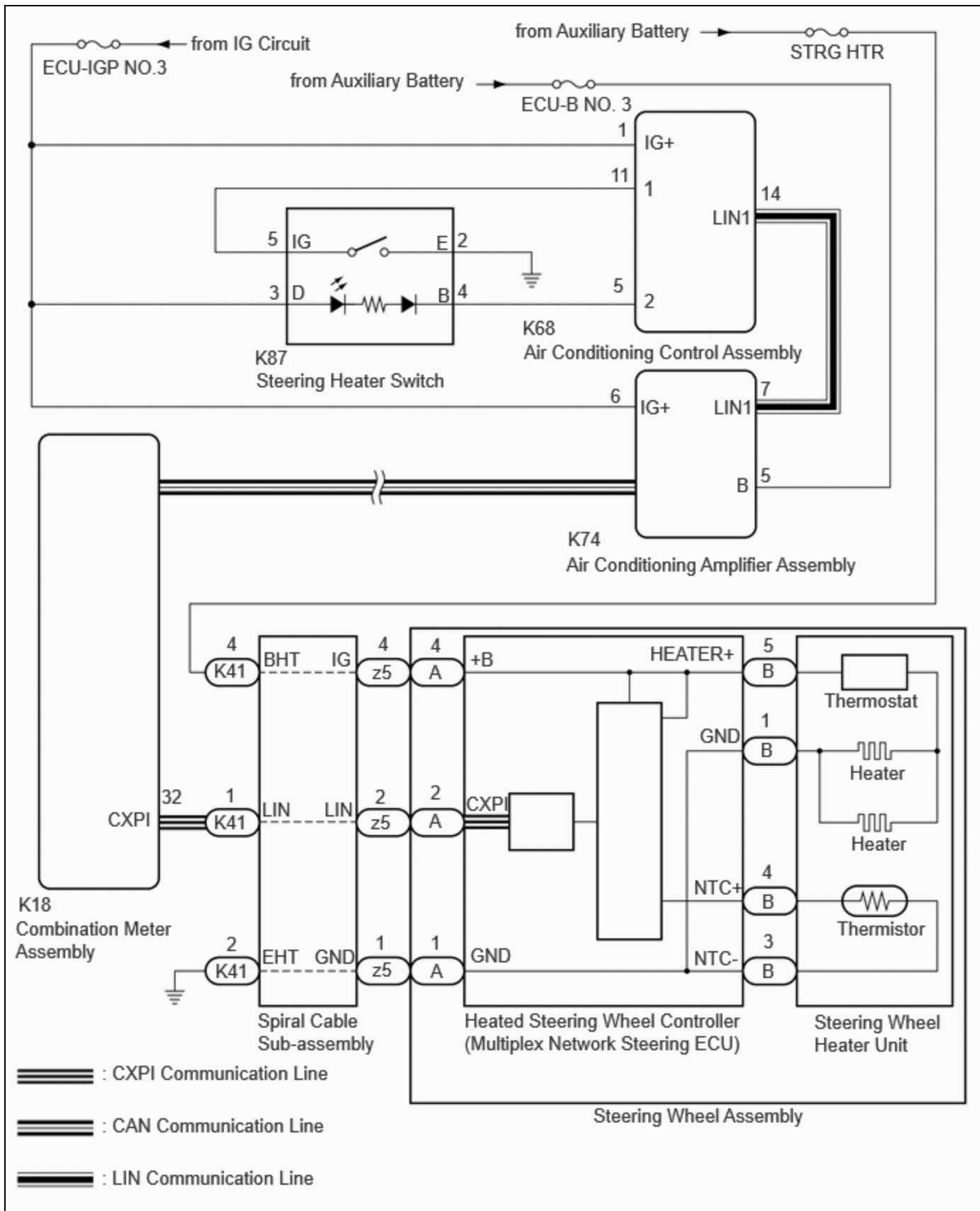
DESCRIPTION

The heated steering wheel system heats the steering wheel assembly when the system is turned on using the steering heater switch.

The heated steering wheel system uses a thermistor inside of the steering wheel assembly to detect the heater temperature and maintain the set temperature.

A thermostat is installed in the steering wheel heater unit as a safety mechanism.

WIRING DIAGRAM



CAUTION / NOTICE / HINT

NOTICE:

The vehicle is equipped with a Supplemental Restraint System (SRS) which includes components such as airbags. Before servicing (including removal or installation of parts), be sure to read the precaution for

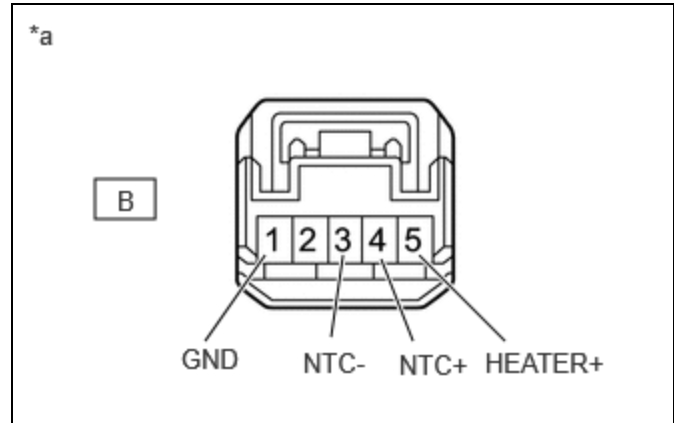
Supplemental Restraint System.

Click here [INFO](#)

PROCEDURE

1. INSPECT STEERING WHEEL ASSEMBLY (THERMOSTAT, HEATER AND THERMISTOR)

(a) Disconnect the B heated steering wheel controller (multiplex network steering ECU) connector.



*a Component without harness connected (Steering Wheel Assembly)

(b) Measure the resistance according to the value(s) in the table below.

Standard Resistance:

TESTER CONNECTION	CONDITION	SPECIFIED CONDITION
B-5(HEATER+) - B-1(GND)	23°C (73°F)	2.25 to 2.75 Ω
B-4(NTC+) - B-3(NTC-)	25°C (77°F)	9.5 to 10.5 kΩ

OK ▶ REPLACE HEATED STEERING WHEEL CONTROLLER (MULTIPLEX NETWORK STEERING ECU) [INFO](#)

NG ▶ REPLACE STEERING WHEEL ASSEMBLY [INFO](#)

