

<b>Last Modified:</b> 12-04-2024	6.11:8.1.0	<b>Doc ID:</b> RM100000002C018
<b>Model Year Start:</b> 2023	<b>Model:</b> Prius Prime	<b>Prod Date Range:</b> [03/2023 - ]
<b>Title:</b> POWER DISTRIBUTION: INTEGRATION CONTROL SUPPLY: REMOVAL; 2023 - 2024 MY Prius Prius Prime [03/2023 - ]		

## REMOVAL

### CAUTION / NOTICE / HINT

The necessary procedures (adjustment, calibration, initialization or registration) that must be performed after parts are removed and installed, or replaced during integration control supply removal/installation are shown below.

#### NOTICE:

- When disconnecting a wire harness of any component connected to the supply power of the integrated capacitor (integration control supply) or when removing the integrated capacitor (integration control supply), make sure to wait 5 minutes or more after turning the ignition switch off for self-diagnosis to complete and the voltage of the integrated capacitor (integration control supply) to discharge.
- After turning the ignition switch off, waiting time may be required before disconnecting the cable from the negative (-) auxiliary battery terminal.

Click here [INFO](#)

#### HINT:

When the cable is disconnected/reconnected to the auxiliary battery terminal, systems temporarily stop operating. However, each system has a function that completes learning the first time the system is used.

#### Items for which learning is completed by driving the vehicle

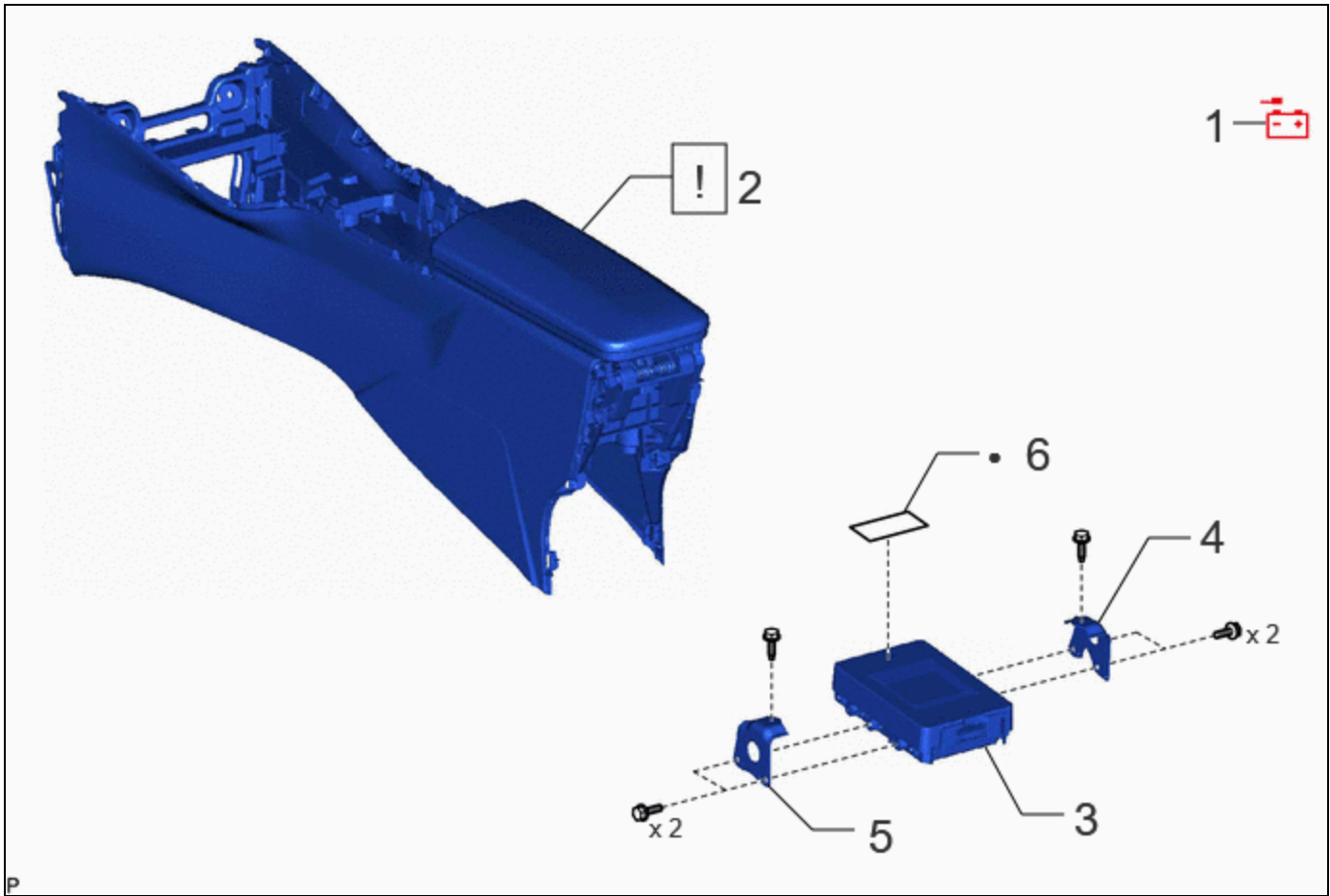
EFFECT/INOPERATIVE FUNCTION WHEN NECESSARY PROCEDURES ARE NOT PERFORMED	NECESSARY PROCEDURES	LINK
Front Camera System	Drive the vehicle straight ahead at 35 km/h (22 mph) or more for 5 second or more.	<a href="#">INFO</a>

#### Items for which learning is completed by operating the vehicle normally

EFFECT/INOPERATIVE FUNCTION WHEN NECESSARY PROCEDURES ARE NOT PERFORMED	NECESSARY PROCEDURES	LINK
Power Door Lock Control System*1 <ul style="list-style-type: none"> <li>Back door opener</li> </ul>	Perform door unlock operation with door control switch or electrical key transmitter sub-assembly switch.	<a href="#">INFO</a>
Power Back Door System*2	Reset back door close position	<a href="#">INFO</a>
Air Conditioning System	<p><b>for HEV Model:</b></p> <p>After the ignition switch is turned to ON, the servo motor standard position is recognized.</p> <p><b>for PHEV Model:</b></p> <p>After the ignition switch is turned to ON, the servo motor and expansion valve standard position is recognized.</p>	-
*1: w/o Power Back Door System		
*2: w/ Power Back Door System		

# CAUTION / NOTICE / HINT

## COMPONENTS (REMOVAL)



PROCEDURE		PART NAME CODE			
1	DISCONNECT CABLE FROM NEGATIVE AUXILIARY BATTERY TERMINAL	-	-	-	-
2	REAR CONSOLE BOX ASSEMBLY	58910C	<b>INFO</b>	-	-
3	INTEGRATION CONTROL SUPPLY	28912	-	-	-
4	NO. 1 INTEGRATION CONTROL SUPPLY BRACKET	28911	-	-	-
5	NO. 2 INTEGRATION CONTROL SUPPLY BRACKET	28911A	-	-	-
6	INTEGRATION CONTROL COVER	28913	-	-	-

•	Non-reusable part	-	-
---	-------------------	---	---

## PROCEDURE

### 1. DISCONNECT CABLE FROM NEGATIVE AUXILIARY BATTERY TERMINAL

(a) for M20A-FXS:

Click here [INFO](#)

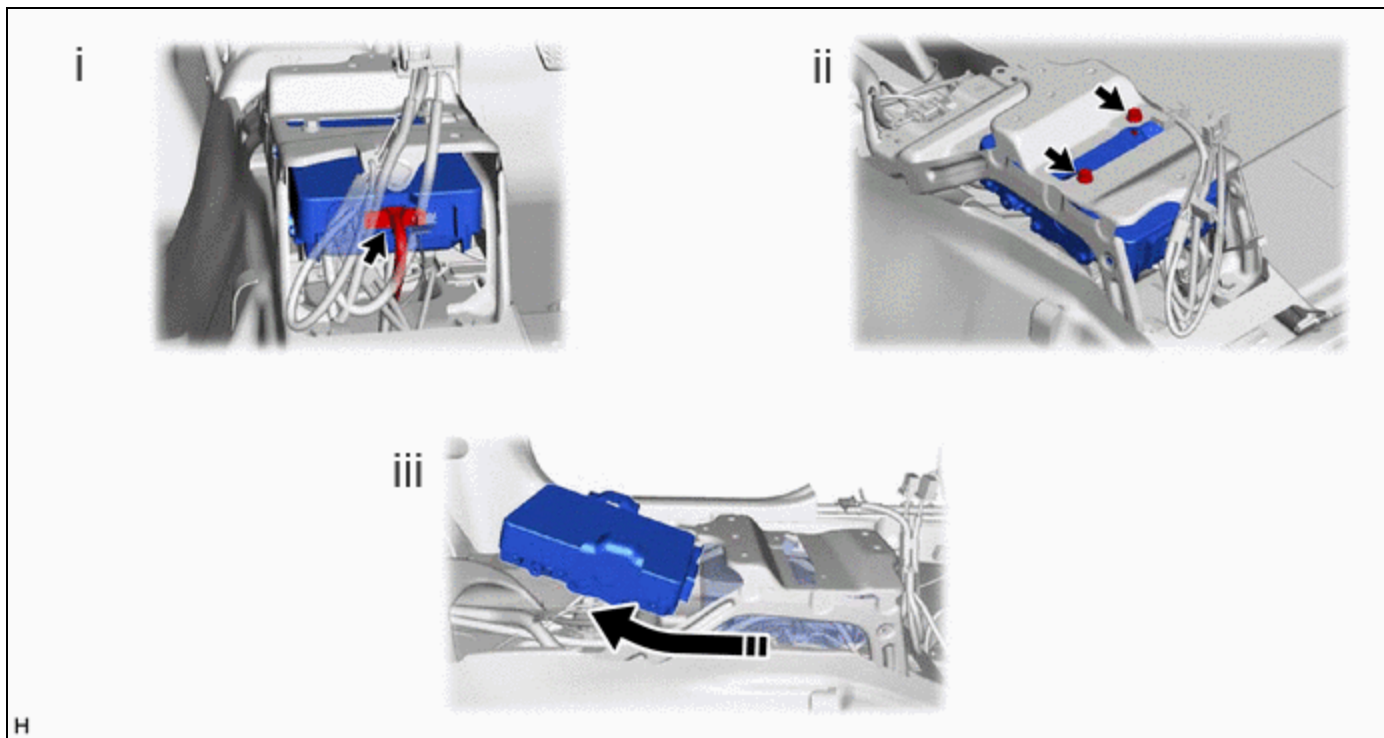
(b) for 2ZR-FXE:

Click here [INFO](#)

## 2. REMOVE REAR CONSOLE BOX ASSEMBLY

	Click here <a href="#">INFO</a>
--	---------------------------------

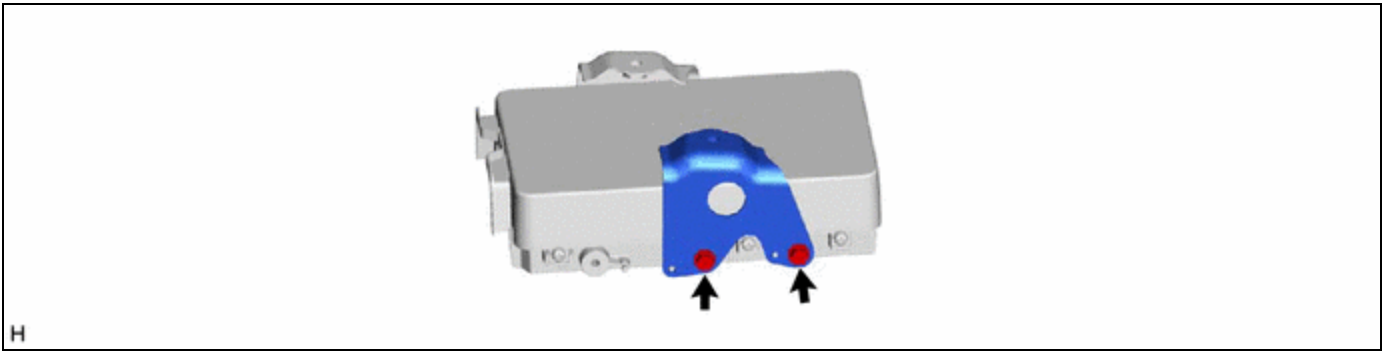
## 3. REMOVE INTEGRATION CONTROL SUPPLY



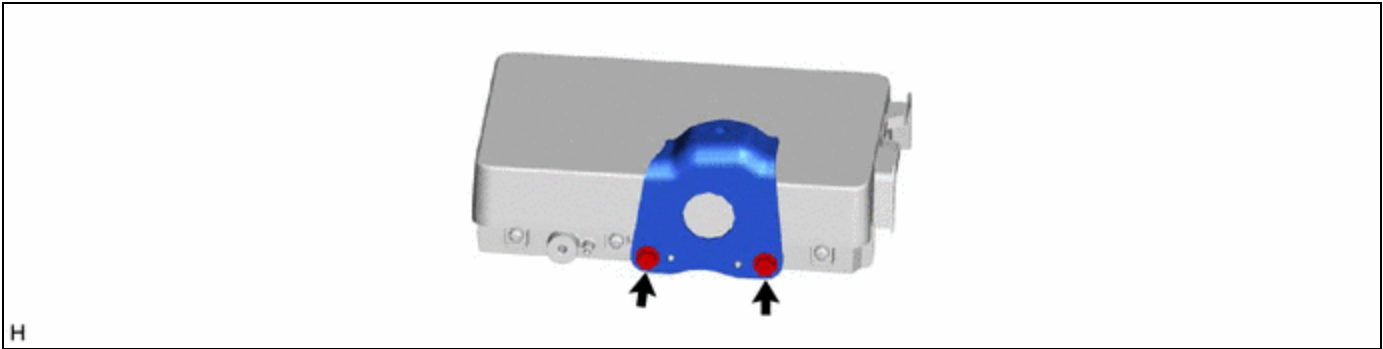
	Remove in this Direction	-	-
--	--------------------------	---	---

- (1) Disconnect the connector.
- (2) Remove the 2 bolts.
- (3) Slide the integration control supply as shown in the illustration to remove it.

## 4. REMOVE NO. 1 INTEGRATION CONTROL SUPPLY BRACKET



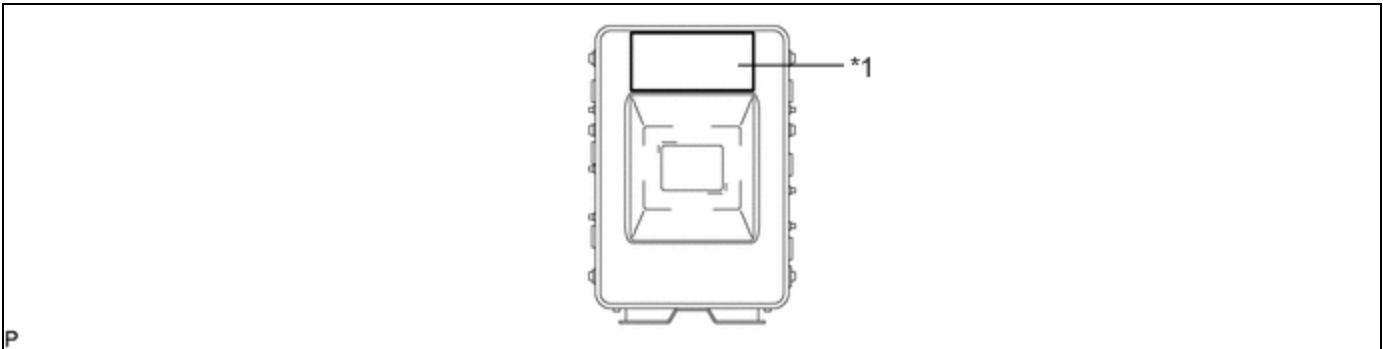
**5. REMOVE NO. 2 INTEGRATION CONTROL SUPPLY BRACKET**



**6. REMOVE INTEGRATION CONTROL COVER**

**HINT:**

Perform this procedure only when replacement of the integration control cover is necessary.



*1	Integration Control Cover	-	-
----	---------------------------	---	---

