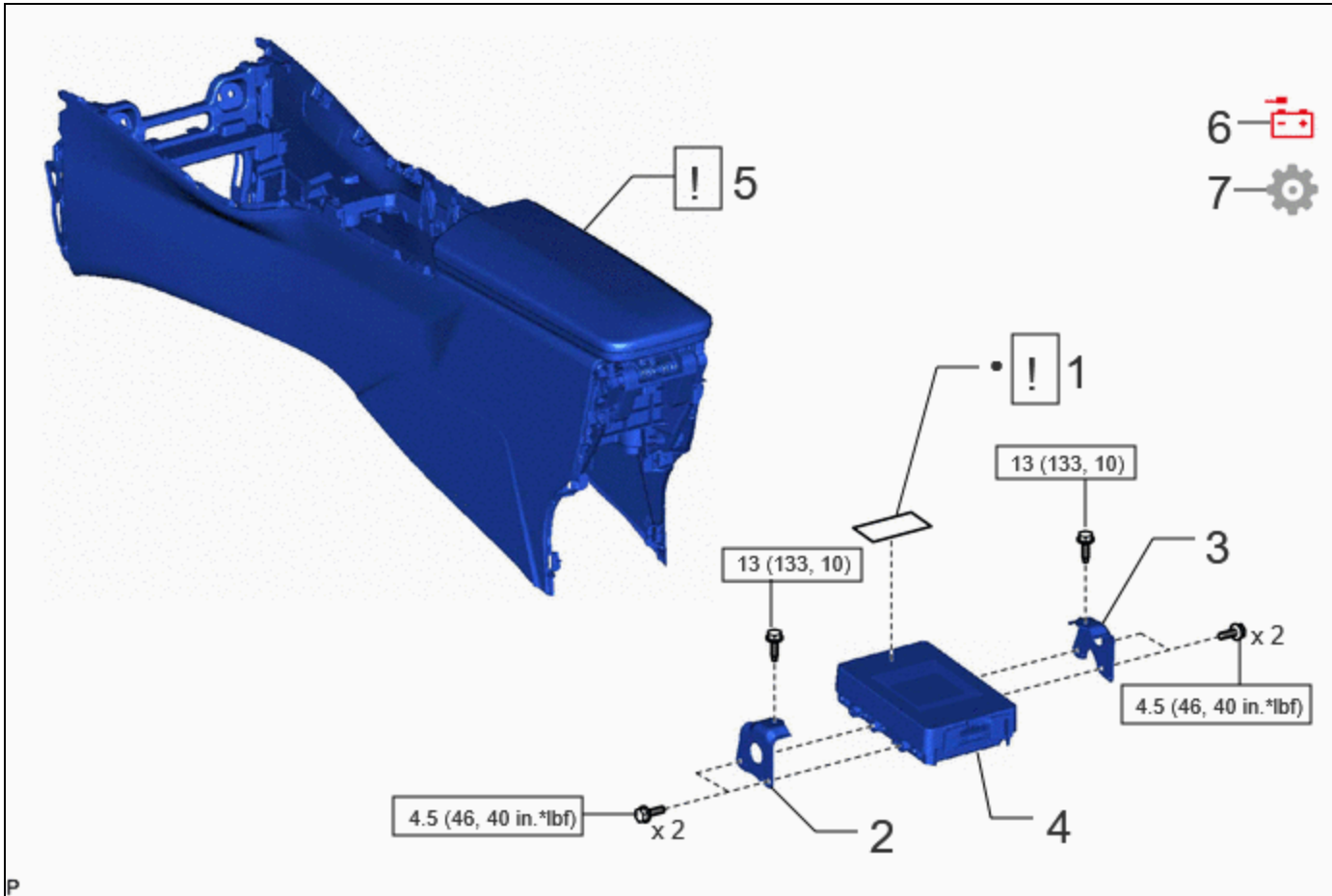


<b>Last Modified:</b> 12-04-2024	6.11:8.1.0	<b>Doc ID:</b> RM100000002A311
<b>Model Year Start:</b> 2023	<b>Model:</b> Prius Prime	<b>Prod Date Range:</b> [12/2022 - ]
<b>Title:</b> POWER DISTRIBUTION: INTEGRATION CONTROL SUPPLY: INSTALLATION; 2023 - 2024 MY Prius Prius Prime [12/2022 - ]		





## INSTALLATION


### CAUTION / NOTICE / HINT

#### COMPONENTS (INSTALLATION)



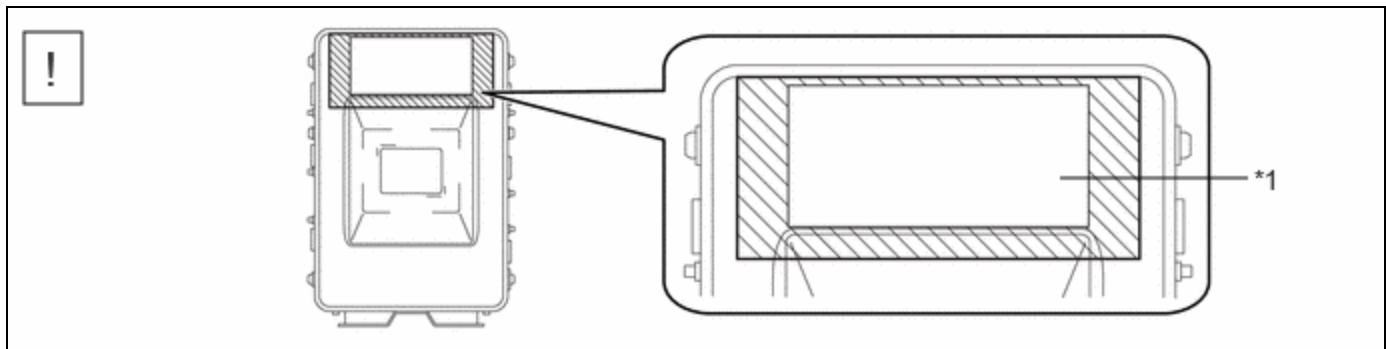
	PROCEDURE	PART NAME CODE			
1	INTEGRATION CONTROL COVER	28913	<a href="#">INFO</a>	-	-
2	NO. 2 INTEGRATION CONTROL SUPPLY BRACKET	28911A	-	-	-
3	NO. 1 INTEGRATION CONTROL SUPPLY BRACKET	28911	-	-	-
4	INTEGRATION CONTROL SUPPLY	28912	-	-	-
5	CONSOLE BOX ASSEMBLY REAR	58910C	<a href="#">INFO</a>	-	-


	PROCEDURE	PART NAME CODE			
6	CONNECT CABLE TO NEGATIVE AUXILIARY BATTERY TERMINAL	-	-	-	-
7	INITIALIZATION AFTER RECONNECTING BATTERY TERMINAL	-	-	-	

	N*m (kgf*cm, ft.*lbf): Specified torque)	-	-
•	Non-reusable part	-	-

## PROCEDURE

### 1. INSTALL INTEGRATION CONTROL COVER



*1	Integration Control Cover	-	-
	Attachment Area	-	-

(1) Install a new integration control cover so that it does not protrude from the area shown in the illustration of the integration control supply.

### 2. INSTALL NO. 2 INTEGRATION CONTROL SUPPLY BRACKET

**Torque:**

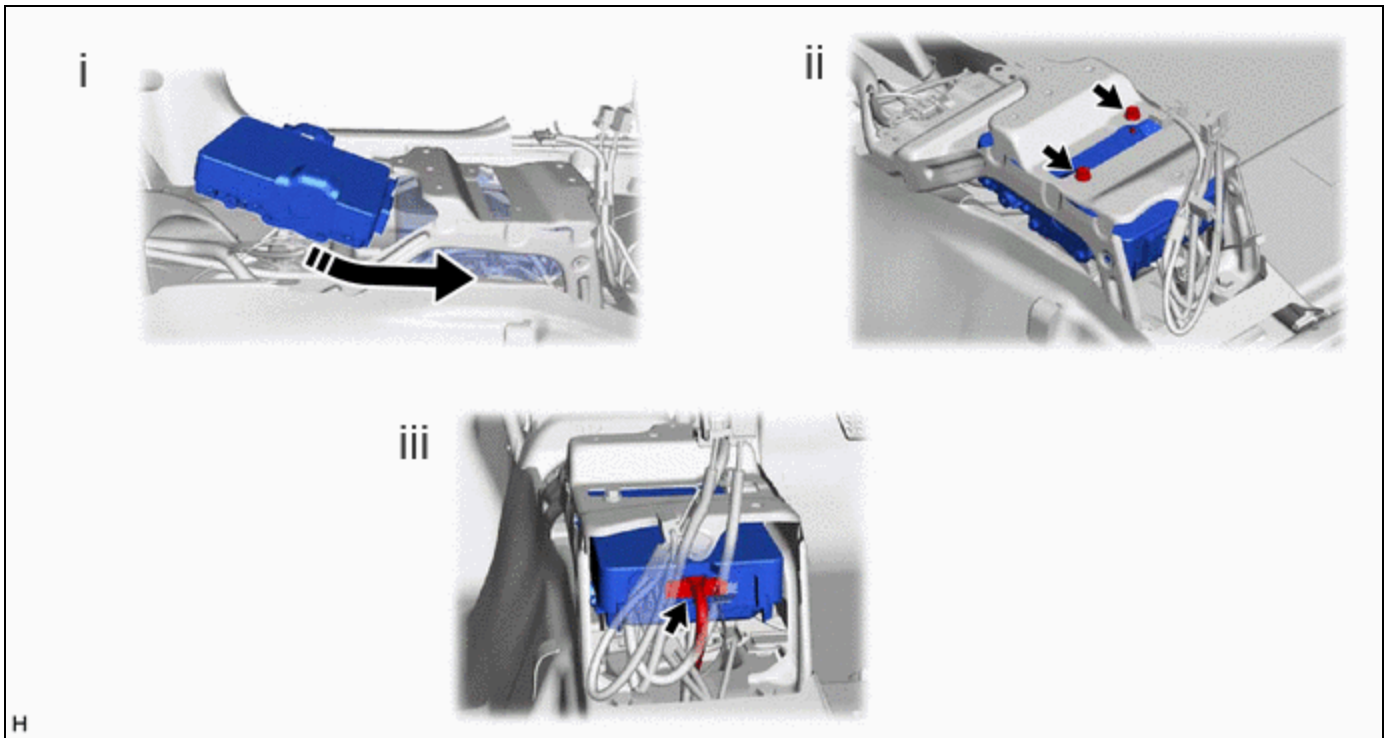
**4.5 N·m {46 kgf·cm, 40 in·lbf}**


### 3. INSTALL NO. 1 INTEGRATION CONTROL SUPPLY BRACKET

**Torque:**

**4.5 N·m {46 kgf·cm, 40 in·lbf}**

### 4. INSTALL INTEGRATION CONTROL SUPPLY



	Install in this Direction	-	-
---	---------------------------	---	---


- (1) Slide and temporarily install the integration control supply as shown in the illustration.
- (2) Install the integration control supply with the 2 bolts.

**Torque:**

**13 N·m {133 kgf·cm, 10 ft·lbf}**

- (3) Connect the connector.

**5. INSTALL REAR CONSOLE BOX ASSEMBLY**

	Click here <a href="#">INFO</a>
---	---------------------------------

**6. CONNECT CABLE TO NEGATIVE AUXILIARY BATTERY TERMINAL**

- (a) for M20A-FXS:

Click here [INFO](#)

- (b) for 2ZR-FXE:

Click here [INFO](#)

**7. INITIALIZATION AFTER RECONNECTING BATTERY TERMINAL**

**HINT:**

When disconnecting and reconnecting the battery, there is an automatic learning function that completes learning when the respective system is used.

Click here [INFO](#)

