

Last Modified: 12-04-2024	6.11:8.1.0	Doc ID: RM1000000029OFW
Model Year Start: 2023	Model: Prius Prime	Prod Date Range: [12/2022 -]
Title: NETWORKING: NETWORK GATEWAY ECU: REMOVAL; 2023 - 2024 MY Prius Prius Prime [12/2022 -]		

REMOVAL

CAUTION / NOTICE / HINT

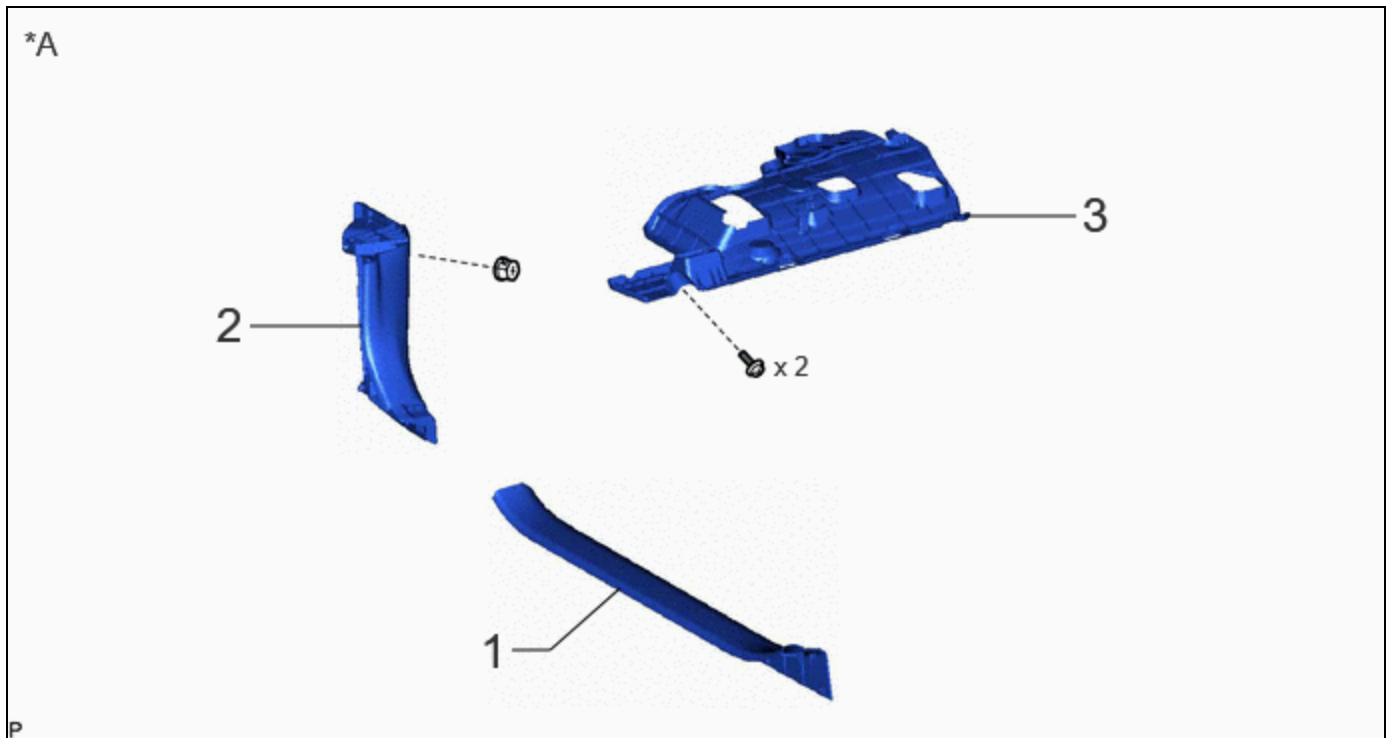
The necessary procedures (adjustment, calibration, initialization or registration) that must be performed after parts are removed and installed, or replaced during central gateway ECU (network gateway ECU) removal/installation are shown below.

Necessary Procedures After Parts Removed/Installed/Replaced




REPLACED PART OR PERFORMED PROCEDURE	NECESSARY PROCEDURES	EFFECT/INOPERATIVE FUNCTION WHEN NECESSARY PROCEDURES ARE NOT PERFORMED	LINK
Central gateway ECU (network gateway ECU)	Update ECU security key	Vehicle Control History (RoB) are stored	INFO

CAUTION / NOTICE / HINT

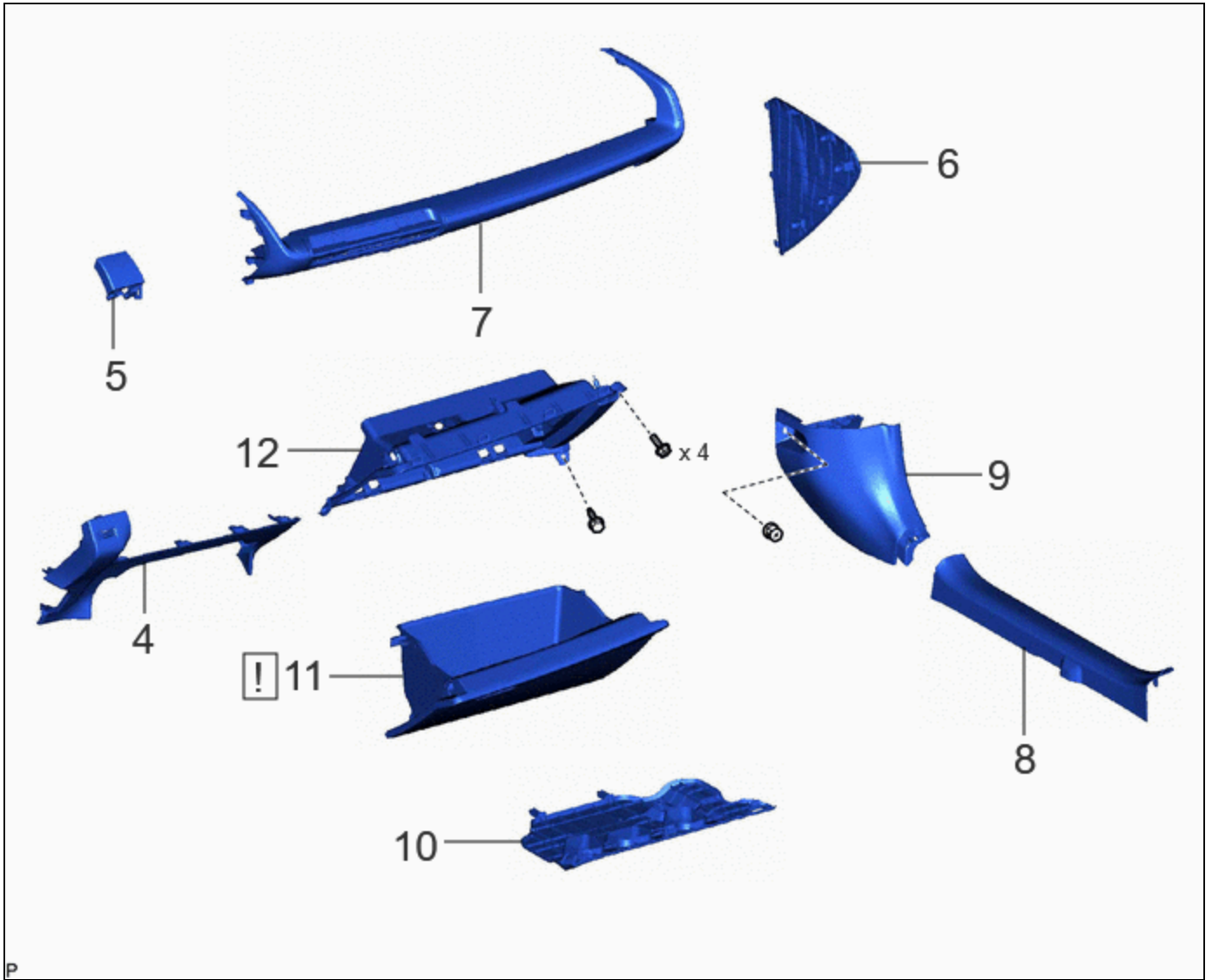
COMPONENTS (REMOVAL)






PROCEDURE	PART NAME CODE			
1 FRONT DOOR SCUFF PLATE LH	67914	-	-	-

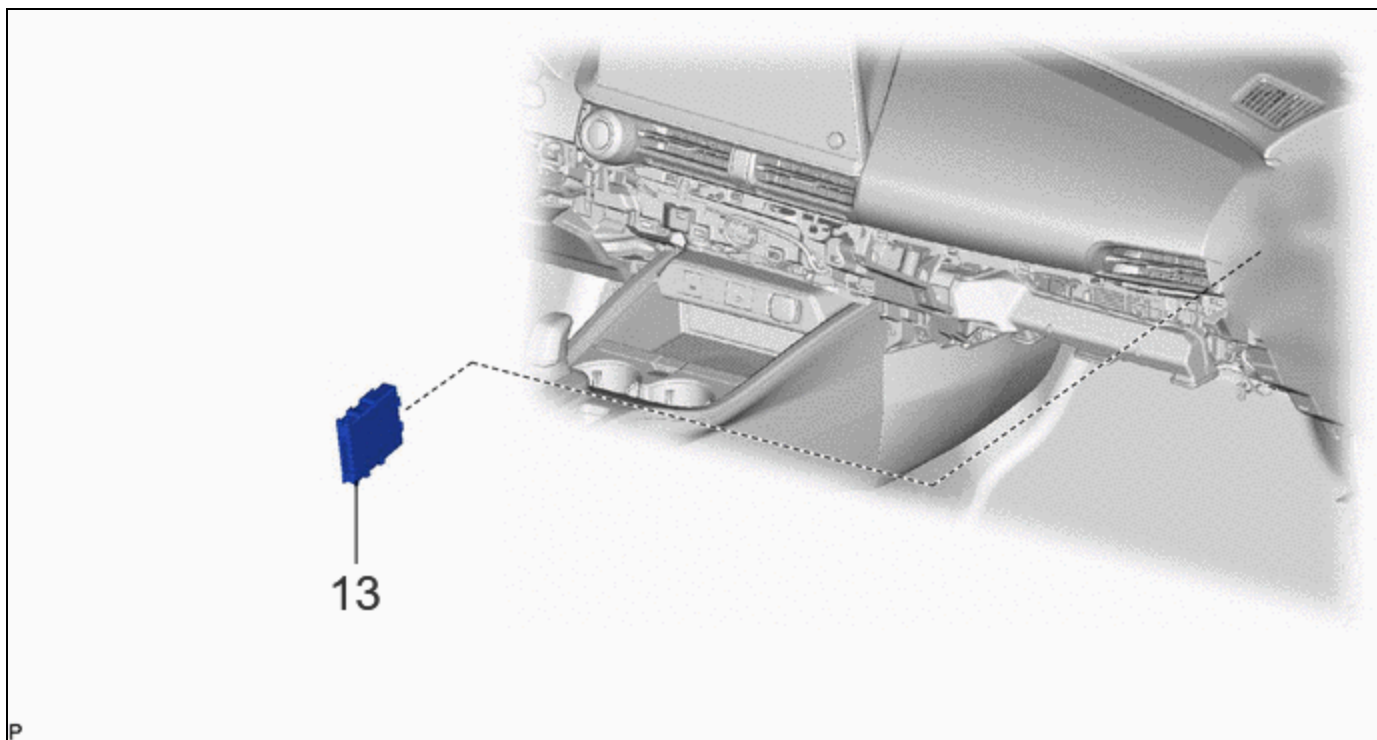
PROCEDURE		PART NAME CODE			
2	COWL SIDE TRIM BOARD LH	62112	-	-	-
3	NO. 1 INSTRUMENT PANEL UNDER COVER SUB-ASSEMBLY	55606	-	-	-

*A	w/ Knee Airbag	-	-
----	----------------	---	---



PROCEDURE		PART NAME CODE			
4	LOWER CENTER INSTRUMENT PANEL FINISH PANEL	55434B	-	-	-
5	LOWER CENTER INSTRUMENT CLUSTER FINISH PANEL SUB-ASSEMBLY	55406B	-	-	-
6	INSTRUMENT SIDE PANEL RH	55317A	-	-	-

	PROCEDURE	PART NAME CODE	!	📄	⚙️
7	NO. 2 INSTRUMENT PANEL GARNISH SUB-ASSEMBLY WITH AIR CONDITIONING CONTROL ASSEMBLY	-	-	-	-
8	FRONT DOOR SCUFF PLATE RH	67913	-	-	-
9	COWL SIDE TRIM BOARD RH	62111C	-	-	-
10	NO. 2 INSTRUMENT PANEL UNDER COVER SUB-ASSEMBLY	55607	-	-	-
11	GLOVE COMPARTMENT DOOR ASSEMBLY	55550	INFO	-	-
12	LOWER INSTRUMENT PANEL SUB-ASSEMBLY	55303B	-	-	-



	PROCEDURE	PART NAME CODE	!	📄	⚙️
13	CENTRAL GATEWAY ECU (NETWORK GATEWAY ECU)	89111	-	-	-

PROCEDURE

1. REMOVE FRONT DOOR SCUFF PLATE LH (w/ Knee Airbag)

Click here [INFO](#)

2. REMOVE COWL SIDE TRIM BOARD LH (w/ Knee Airbag)

Click here [INFO](#)

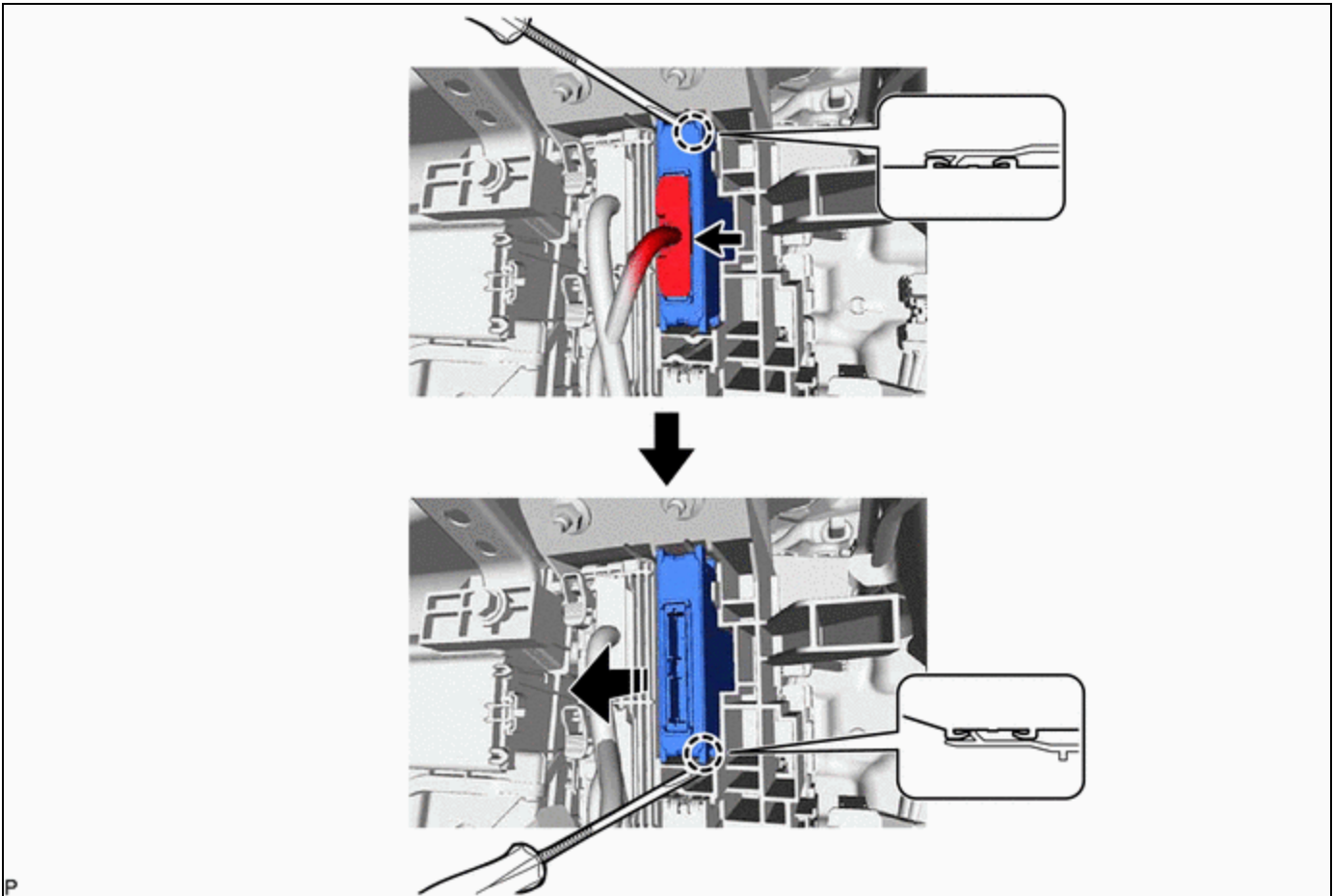
3. REMOVE NO. 1 INSTRUMENT PANEL UNDER COVER SUB-ASSEMBLY (w/ Knee Airbag)Click here [INFO](#)**4. REMOVE LOWER CENTER INSTRUMENT PANEL FINISH PANEL**Click here [INFO](#)**5. REMOVE LOWER CENTER INSTRUMENT CLUSTER FINISH PANEL SUB-ASSEMBLY**Click here [INFO](#)**6. REMOVE INSTRUMENT SIDE PANEL RH**Click here [INFO](#)**7. REMOVE NO. 2 INSTRUMENT PANEL GARNISH SUB-ASSEMBLY WITH AIR CONDITIONING CONTROL ASSEMBLY**Click here [INFO](#)**8. REMOVE FRONT DOOR SCUFF PLATE RH**


(a) Use the same procedure as for the LH side.

Click here [INFO](#)**9. REMOVE COWL SIDE TRIM BOARD RH**

(a) Use the same procedure as for the LH side.

Click here [INFO](#)**10. REMOVE NO. 2 INSTRUMENT PANEL UNDER COVER SUB-ASSEMBLY**Click here [INFO](#)**11. REMOVE GLOVE COMPARTMENT DOOR ASSEMBLY**Click here [INFO](#)**12. REMOVE LOWER INSTRUMENT PANEL SUB-ASSEMBLY**Click here [INFO](#)**13. REMOVE CENTRAL GATEWAY ECU (NETWORK GATEWAY ECU)**



	Remove in this Direction	-	-
---	--------------------------	---	---

