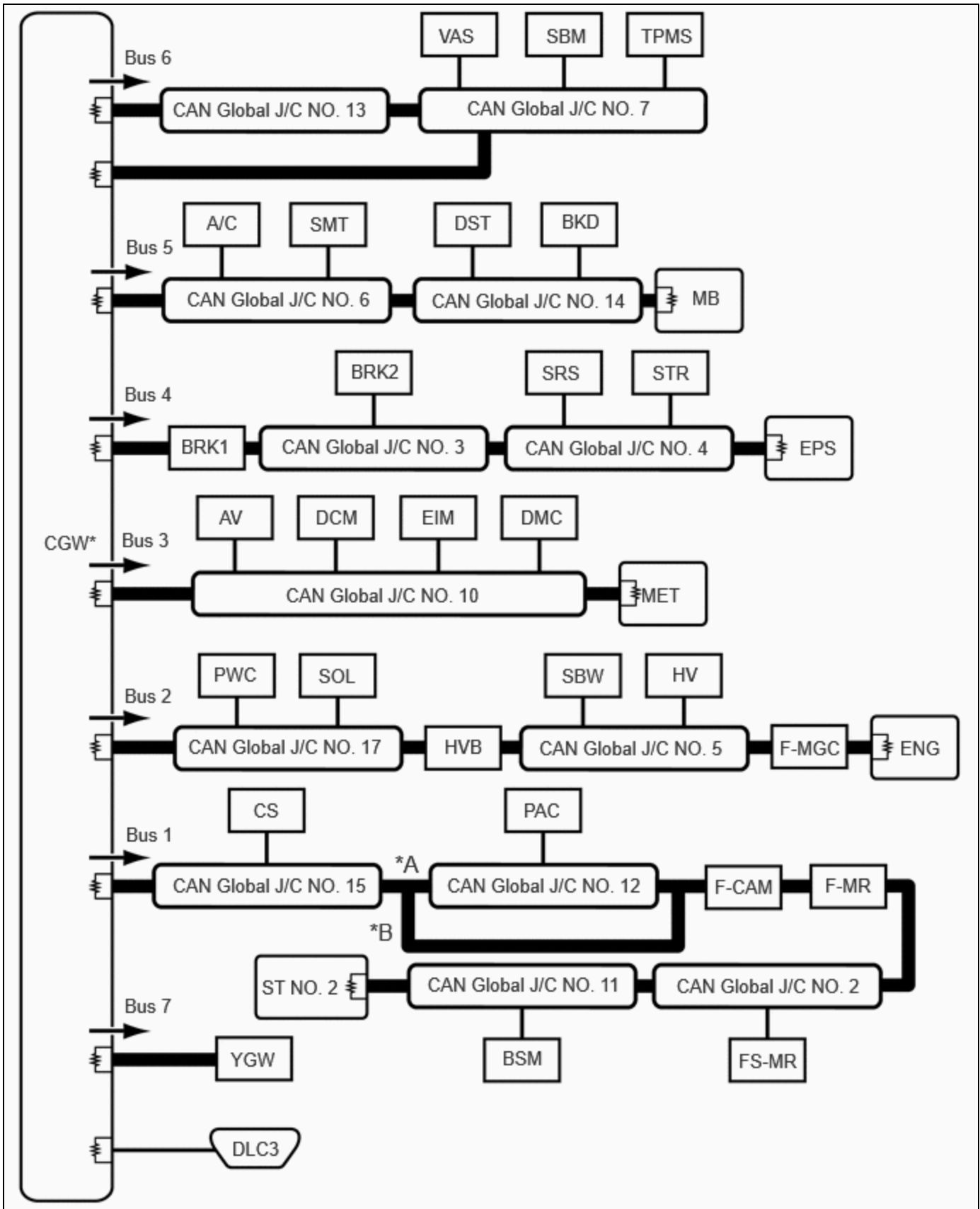
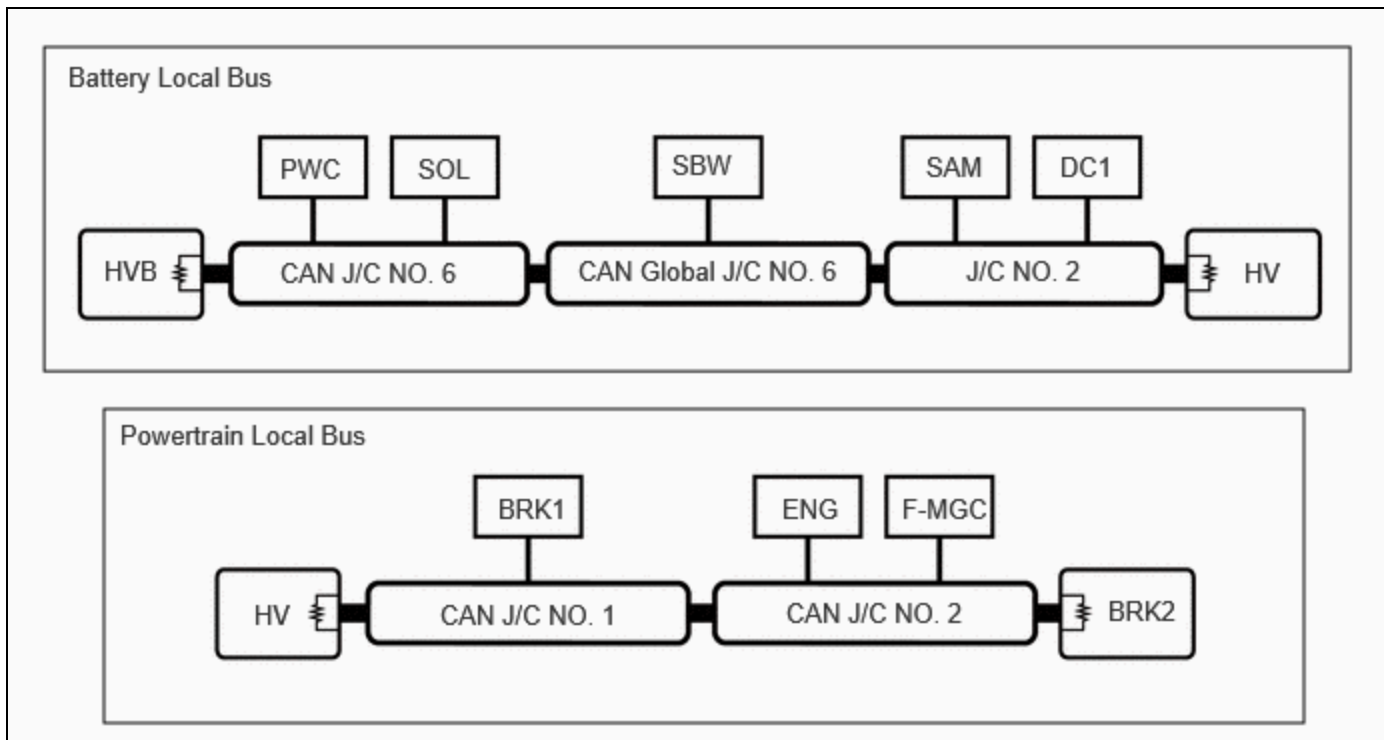


<b>Last Modified:</b> 12-04-2024	6.11:8.1.0	<b>Doc ID:</b> RM10000002B6I5
<b>Model Year Start:</b> 2023	<b>Model:</b> Prius Prime	<b>Prod Date Range:</b> [03/2023 - ]
<b>Title:</b> NETWORKING: CAN COMMUNICATION SYSTEM (for PHEV Model): SYSTEM DIAGRAM; 2023 - 2024 MY Prius Prime [03/2023 - ]		

## **SYSTEM DIAGRAM**

### **OVERALL CAN BUS DIAGRAM**





*A	w/ Panoramic View Monitor System	*B	w/o Panoramic View Monitor System
	CAN Main Bus Line		Terminating Resistor
	CAN Branch Line	*	Gateway Function Equipped ECU
	Bus Monitoring Direction	-	-

CONNECTED TO	CODE	ECU/SENSOR NAME	GTS DISPLAY	APPLICABILITY
-	CGW	Central Gateway ECU (Network Gateway ECU)	-	Installed on all vehicles
-	DLC3	DLC3	-	Installed on all vehicles
Bus 1	CS	Clearance Warning ECU Assembly	Clearance Warning (Intuitive Parking Assist)	w/ Intuitive Parking Assist System
	F-CAM	Forward Recognition Camera	Front Camera Module	Installed on all vehicles
	F-MR	Millimeter Wave Radar Sensor Assembly	Front Radar	Installed on all vehicles
	FS-MR	Front Side Radar Sensor (A)	Front Side Radar "A"	w/ Front Side Radar Sensor System

CONNECTED TO	CODE	ECU/SENSOR NAME	GTS DISPLAY	APPLICABILITY
	PAC	Parking Assist ECU	Panoramic View Monitor / Circumference Monitoring Camera Control Module	w/ Panoramic View Monitor System
	BSM	Blind Spot Monitor Sensor LH (B)	Blind Spot Monitor "B"	Installed on all vehicles
	CAN Global J/C NO. 2	No. 2 Global CAN Junction Connector	-	Installed on all vehicles
	CAN Global J/C NO. 11	No. 11 Global CAN Junction Connector	-	Installed on all vehicles
	CAN Global J/C NO. 12	No. 12 Global CAN Junction Connector	-	w/ Panoramic View Monitor System
	CAN Global J/C NO. 15	No. 15 Global CAN Junction Connector	-	Installed on all vehicles
	ST NO. 2	No. 2 CAN Junction Terminal	-	Installed on all vehicles
Bus 2	HVB	Battery ECU Assembly	HV Battery	Installed on all vehicles
	SBW	Transmission Floor Shift Assembly	Transmission Control	Installed on all vehicles
	HV	Hybrid Vehicle Control ECU	Hybrid Vehicle Control	Installed on all vehicles
	F-MGC	Inverter with Converter Assembly	Motor Generator	Installed on all vehicles
	ENG	ECM	ECM (Engine)	Installed on all vehicles
	SOL	Solar Energy Control ECU Assembly	Solar Charging Control	w/ Solar Charging System
	PWC	Plugin Charge Control ECU Assembly	Plug-in Control	Installed on all vehicles
	CAN Global J/C NO. 5	No. 5 Global CAN Junction Connector	-	Installed on all vehicles
	CAN Global J/C NO. 17	No. 17 Global CAN Junction Connector	-	Installed on all vehicles
Bus 3	DCM	DCM (Telematics Transceiver)	DCM	w/ Telematics Transceiver
	EIM	Inner Rear View Mirror Assembly	Digital Rear-View Mirror	w/ Digital Inner Mirror System

CONNECTED TO	CODE	ECU/SENSOR NAME	GTS DISPLAY	APPLICABILITY
	AV	Radio and Display Receiver Assembly	Display and Navigation (AVN)	Installed on all vehicles
	MET	Combination Meter Assembly	Combination Meter	Installed on all vehicles
	DMC	Driver Monitor ECU Assembly	Driver Monitor Camera Control	Installed on all vehicles
	CAN Global J/C NO. 10	No. 10 Global CAN Junction Connector	-	Installed on all vehicles
Bus 4	SRS	Airbag ECU Assembly	Airbag	Installed on all vehicles
	BRK2	No. 2 Skid Control ECU (Brake Actuator Assembly)	Skid Control (ABS/VSC/TRAC)	Installed on all vehicles
	BRK1	No. 1 Skid Control ECU (Brake Booster with Master Cylinder Assembly)	Brake Booster	Installed on all vehicles
	STR	Steering Sensor	Spiral cable (Steering Angle Sensor)	Installed on all vehicles
	EPS	Power Steering ECU Assembly	Power Steering (EPS)	Installed on all vehicles
	CAN Global J/C NO. 3	No. 3 Global CAN Junction Connector	-	Installed on all vehicles
	CAN Global J/C NO. 4	No. 4 Global CAN Junction Connector	-	Installed on all vehicles
Bus 5	A/C	Air Conditioning Amplifier Assembly	Air Conditioning Amplifier	Installed on all vehicles
	SMT	Certification ECU (Smart Key ECU Assembly)	<ul style="list-style-type: none"> <li>• Certification (Smart)</li> <li>• Power Management</li> </ul>	Installed on all vehicles
	DST	Position Control ECU Assembly LH	D-Seat	w/ Seat Position Memory System
	BKD	Multiplex Network Door ECU	Back Door	Installed on all vehicles
	MB	Main Body ECU (Multiplex Network Body ECU)	Main Body	Installed on all vehicles
	CAN Global J/C NO. 6	No. 6 Global CAN Junction Connector	-	Installed on all vehicles
	CAN Global J/C NO. 14	No. 14 Global CAN Junction Connector	-	Installed on all vehicles

CONNECTED TO	CODE	ECU/SENSOR NAME	GTS DISPLAY	APPLICABILITY
Bus 6	VAS	Vehicle Approaching Speaker Controller	Acoustic Vehicle Alerting System	Installed on all vehicles
	TPMS	Tire Pressure Warning ECU and Receiver	Tire Pressure	Installed on all vehicles
	SBM	Integration Control Supply	Sub Battery System	Installed on all vehicles
	CAN Global J/C NO. 7	No. 7 Global CAN Junction Connector	-	Installed on all vehicles
	CAN Global J/C NO. 13	No. 13 Global CAN Junction Connector	-	Installed on all vehicles
Bus 7	YGW	Option Connector (Bus Buffer ECU)	Remote Engine Starter	w/ CAN Compatible Optional Devices
Battery Local Bus	HVB	Battery ECU Assembly	-	Installed on all vehicles
	SBW	Transmission Floor Shift Assembly	-	Installed on all vehicles
	SAM	Shift Control Actuator Assembly	-	Installed on all vehicles
	DC1	Inverter with Converter Assembly	-	Installed on all vehicles
	HV	Hybrid Vehicle Control ECU	-	Installed on all vehicles
	SOL	Solar Energy Control ECU Assembly	-	w/ Solar Charging System
	PWC	Plugin Charge Control ECU Assembly	-	Installed on all vehicles
	CAN Global J/C NO. 6	No. 6 Global CAN Junction Connector	-	Installed on all vehicles
	CAN J/C NO. 6	No. 6 CAN Junction Connector	-	Installed on all vehicles
	J/C NO. 2	No. 2 Junction Connector	-	Installed on all vehicles
Powertrain Local Bus	BRK2	No. 2 Skid Control ECU (Brake Actuator Assembly)	-	Installed on all vehicles
	ENG	ECM	-	Installed on all vehicles
	BRK1	No. 1 Skid Control ECU (Brake Booster with Master Cylinder Assembly)	-	Installed on all vehicles

CONNECTED TO	CODE	ECU/SENSOR NAME	GTS DISPLAY	APPLICABILITY
	F-MGC	Inverter with Converter Assembly	-	Installed on all vehicles
	HV	Hybrid Vehicle Control ECU	-	Installed on all vehicles
	CAN J/C NO. 1	No. 1 CAN Junction Connector	-	Installed on all vehicles
	CAN J/C NO. 2	No. 2 CAN Junction Connector	-	Installed on all vehicles

