

<b>Last Modified:</b> 12-04-2024	6.11:8.1.0	<b>Doc ID:</b> RM1000000028XAT
<b>Model Year Start:</b> 2023	<b>Model:</b> Prius	<b>Prod Date Range:</b> [12/2022 - ]
<b>Title:</b> MAINTENANCE: 2ZR-FXE AUXILIARY BATTERY: REMOVAL; 2023 - 2024 MY Prius [12/2022 - ]		

## REMOVAL

### CAUTION / NOTICE / HINT

The necessary procedures (adjustment, calibration, initialization or registration) that must be performed after parts are removed and installed, or replaced during auxiliary battery removal/installation are shown below.

#### **HINT:**

When the cable is disconnected / reconnected to the auxiliary battery terminal, systems temporarily stop operating. However, each system has a function that completes learning the first time the system is used.

#### **Learning completes when vehicle is driven**

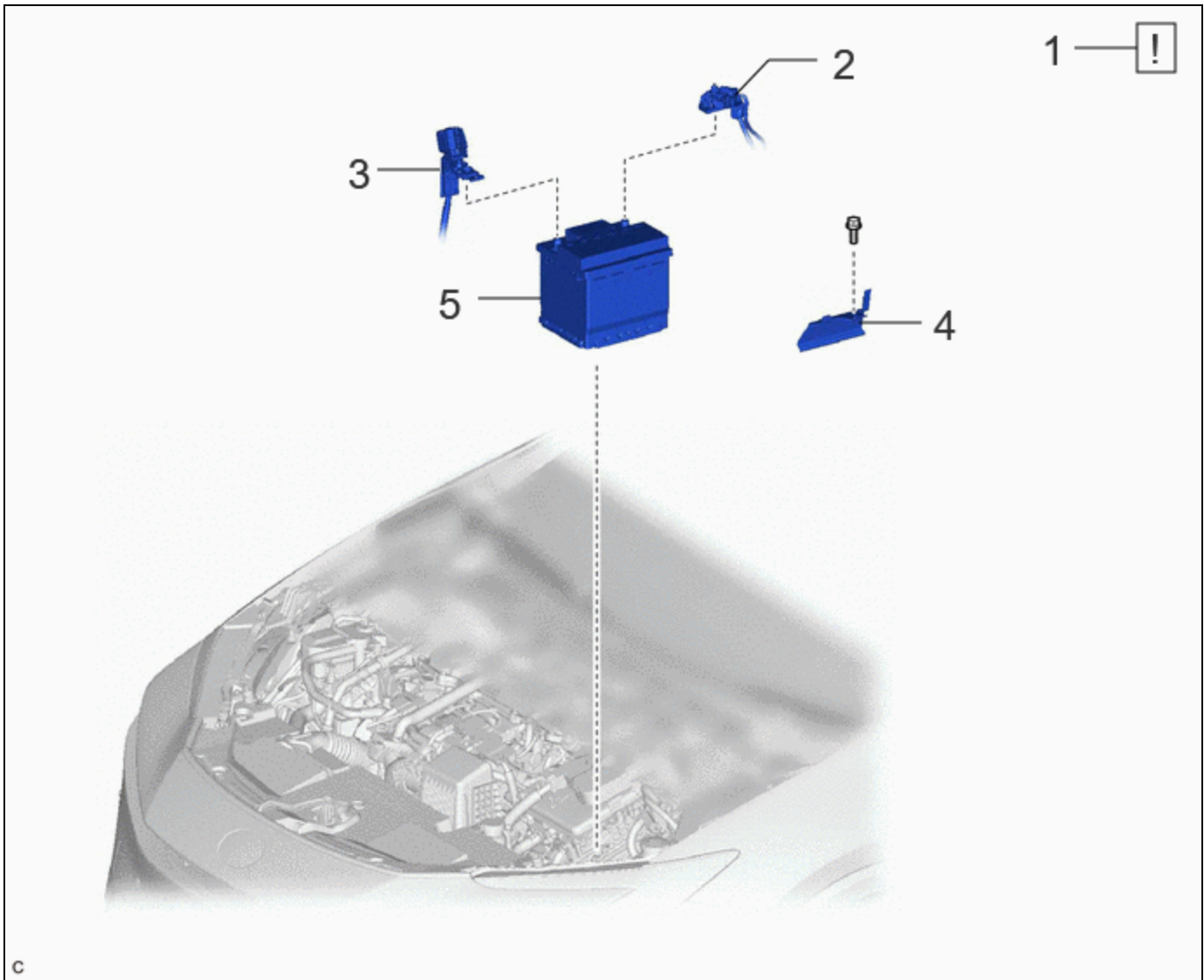
EFFECT/INOPERATIVE FUNCTION WHEN NECESSARY PROCEDURE NOT PERFORMED	NECESSARY PROCEDURE	LINK
Front Camera System	Drive the vehicle straight ahead at 35 km/h (22 mph) or more for 5 seconds or more.	<a href="#">INFO</a>

#### **Learning completes when vehicle is operated normally**

EFFECT/INOPERATIVE FUNCTION WHEN NECESSARY PROCEDURE NOT PERFORMED	NECESSARY PROCEDURE	LINK
Power Door Lock Control System*1 <ul style="list-style-type: none"> <li>Back door opener</li> </ul>	Perform door unlock operation with door control switch or electrical key transmitter sub-assembly switch.	<a href="#">INFO</a>
Power Back Door System*2	Reset back door close position	<a href="#">INFO</a>
Air Conditioning System	After the ignition switch is turned to ON, the servo motor standard position is recognized.	-
*1: w/o Power Back Door System		
*2: w/ Power Back Door System		

### CAUTION / NOTICE / HINT

#### **COMPONENTS (REMOVAL)**



PROCEDURE		PART NAME CODE			
1	PRECAUTION	-	<a href="#">INFO</a>	-	-
2	NEGATIVE AUXILIARY BATTERY TERMINAL	-	-	-	-
3	POSITIVE AUXILIARY BATTERY TERMINAL	-	-	-	-
4	NO. 2 BATTERY CLAMP	74482	-	-	-
5	AUXILIARY BATTERY	-	-	-	-

## PROCEDURE

### 1. PRECAUTION

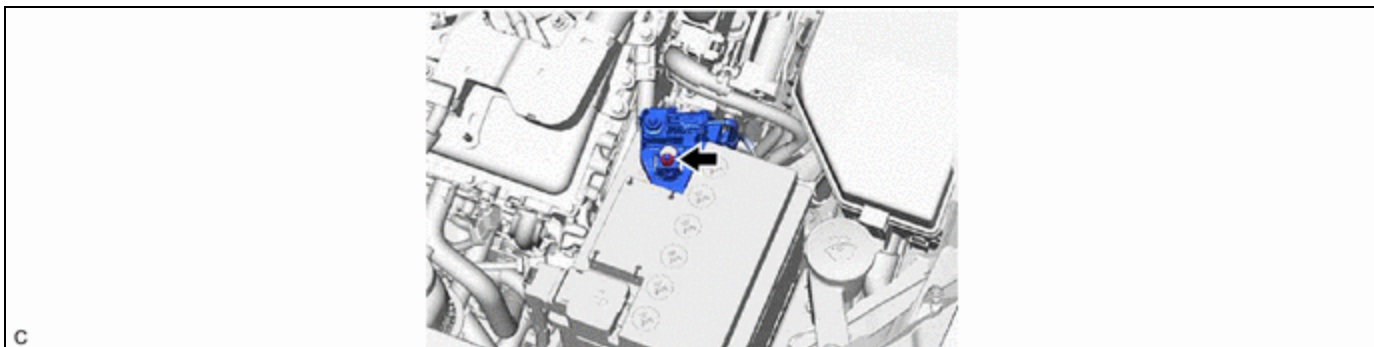
**NOTICE:**

- After the ignition switch is turned off, there may be a waiting time before disconnecting the negative (-) auxiliary battery terminal.

Click here [INFO](#)

- When replacing the auxiliary battery, use a new auxiliary battery of the same dimensions and same capacity or more from the same class at a 20-hour rate.

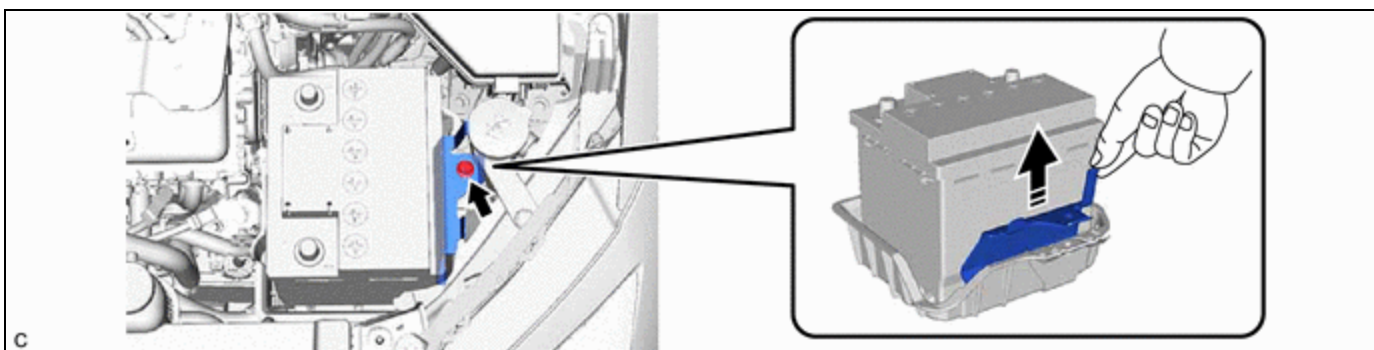
## 2. DISCONNECT CABLE FROM NEGATIVE AUXILIARY BATTERY TERMINAL



## 3. DISCONNECT CABLE FROM POSITIVE AUXILIARY BATTERY TERMINAL



## 4. REMOVE NO. 2 BATTERY CLAMP



## 5. REMOVE AUXILIARY BATTERY

