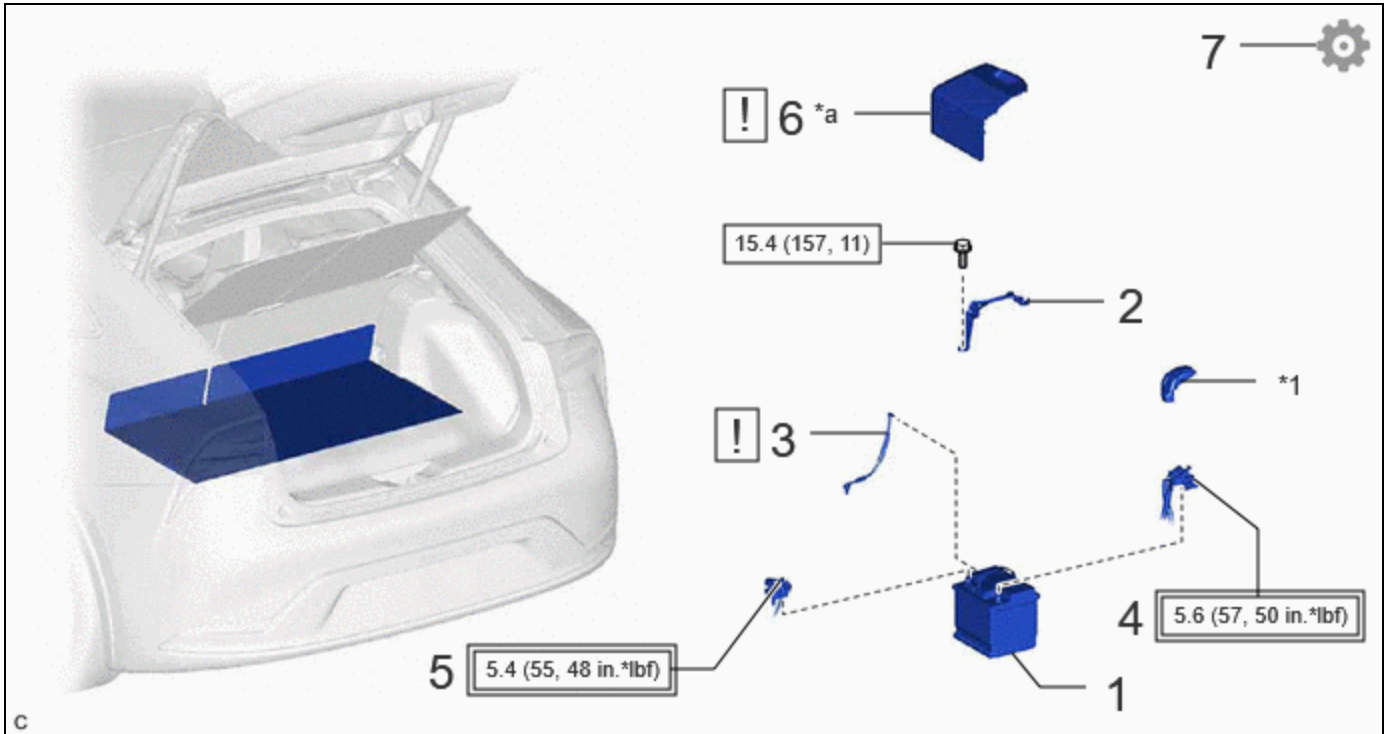


Last Modified: 12-04-2024	6.11:8.1.0	Doc ID: RM1000000028XAS
Model Year Start: 2023	Model: Prius Prime	Prod Date Range: [12/2022 -]
Title: MAINTENANCE: M20A-FXS AUXILIARY BATTERY: INSTALLATION; 2023 - 2024 MY Prius Prius Prime [12/2022 -]		



INSTALLATION

CAUTION / NOTICE / HINT

COMPONENTS (INSTALLATION)



PROCEDURE		PART NAME CORD	!	📄	⚙️
1	AUXILIARY BATTERY	-	-	-	-
2	BATTERY CLAMP	74481A	-	-	-
3	BATTERY HOSE	28885B	INFO	-	-
4	POSITIVE AUXILIARY BATTERY TERMINAL	-	-	-	-
5	NEGATIVE AUXILIARY BATTERY TERMINAL	-	-	-	-
6	BATTERY SERVICE HOLE COVER ASSEMBLY	58440	INFO	-	-
7	INITIALIZATION AFTER RECONNECTING AUXILIARY BATTERY TERMINAL	-	-	-	INFO

*1	FUSIBLE LINK COVER	-	-
*a	HINT: As the illustration shown is an example, the actual details may differ.	-	-
	Tightening torque for "Major areas involving basic vehicle performance such as moving/turning/stopping": N*m (kgf*cm, ft.*lbf)		N*m (kgf*cm, ft.*lbf): Specified torque

PROCEDURE


1. INSTALL AUXILIARY BATTERY

2. INSTALL BATTERY CLAMP

Torque:

15.4 N·m {157 kgf·cm, 11 ft·lbf}

3. INSTALL BATTERY HOSE

	<p>NOTICE:</p> <p>After replacing the auxiliary battery, install the ventilation hole plug supplied with the new auxiliary battery or the ventilation hole plug from the old auxiliary battery to the ventilation hole on the side to which the battery hose is not connected.</p> <p>HINT:</p> <ul style="list-style-type: none"> • Push the battery hose onto the auxiliary battery until a click sound is heard. • Do not twist the battery hose.
--	--

4. CONNECT CABLE TO POSITIVE AUXILIARY BATTERY TERMINAL

Torque:

5.6 N·m {57 kgf·cm, 50 in·lbf}

5. CONNECT CABLE TO NEGATIVE AUXILIARY BATTERY TERMINAL

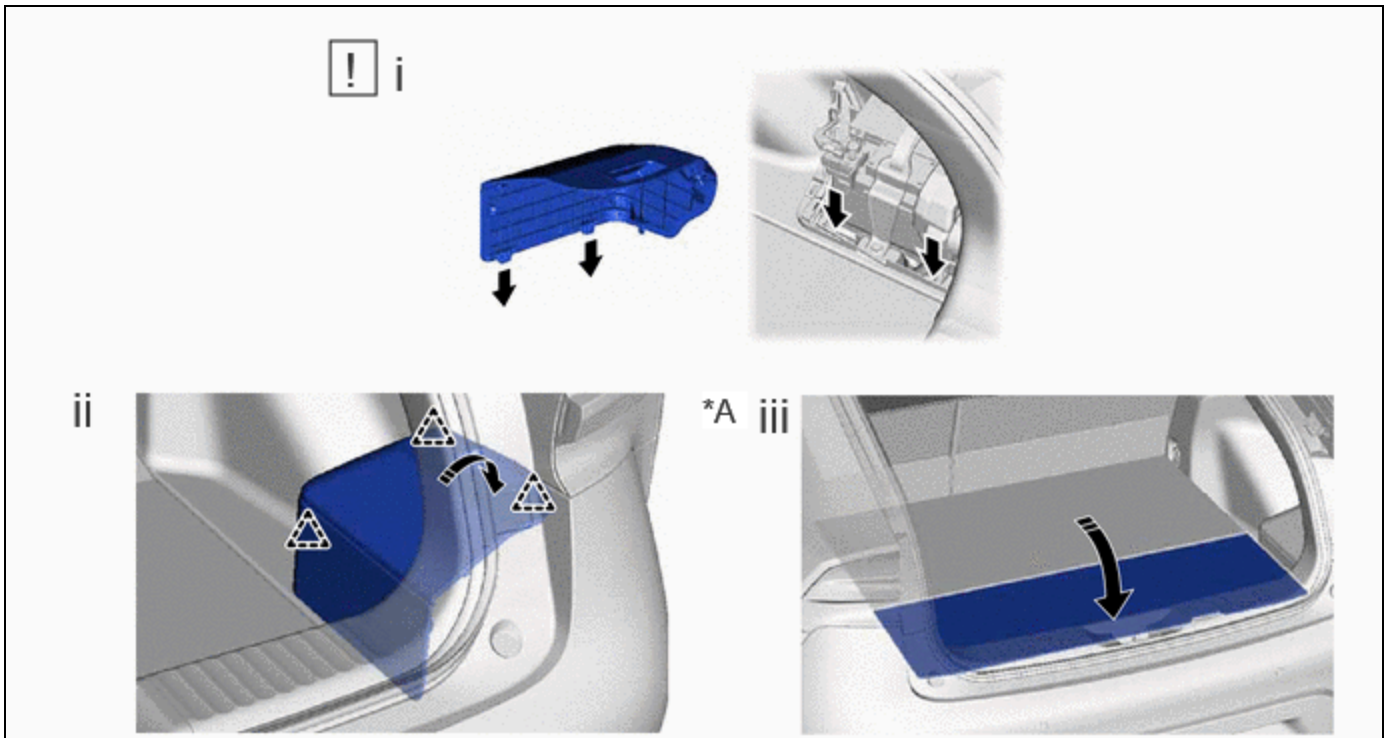
Torque:

5.4 N·m {55 kgf·cm, 48 in·lbf}

6. INSTALL BATTERY SERVICE HOLE COVER ASSEMBLY

HINT:

As the illustration shown is an example, the actual details may differ.



*A	Type A	-	-
----	--------	---	---

- (1) Insert the 2 claws of the battery service hole cover assembly into the deck trim side panel assembly RH.
- (2) Engage the 3 clips of the battery service hole cover assembly.
- (3) Type A:
 - 1. Return the deck board assembly to its original position.

7. INITIALIZATION AFTER RECONNECTING AUXILIARY BATTERY TERMINAL

HINT:

When disconnecting and reconnecting the auxiliary battery, there is an automatic learning function that completes learning when the respective system is used.

Click here [INFO](#)

